



**Esploro con elenco ricambi**  
**Exploded view with spare parts list**

**S228 PRO**  
**S228 PRO GT**



**S228 PRO LNL**  
**S228 PRO LNL GT**



**S228**  
**S228 GT**

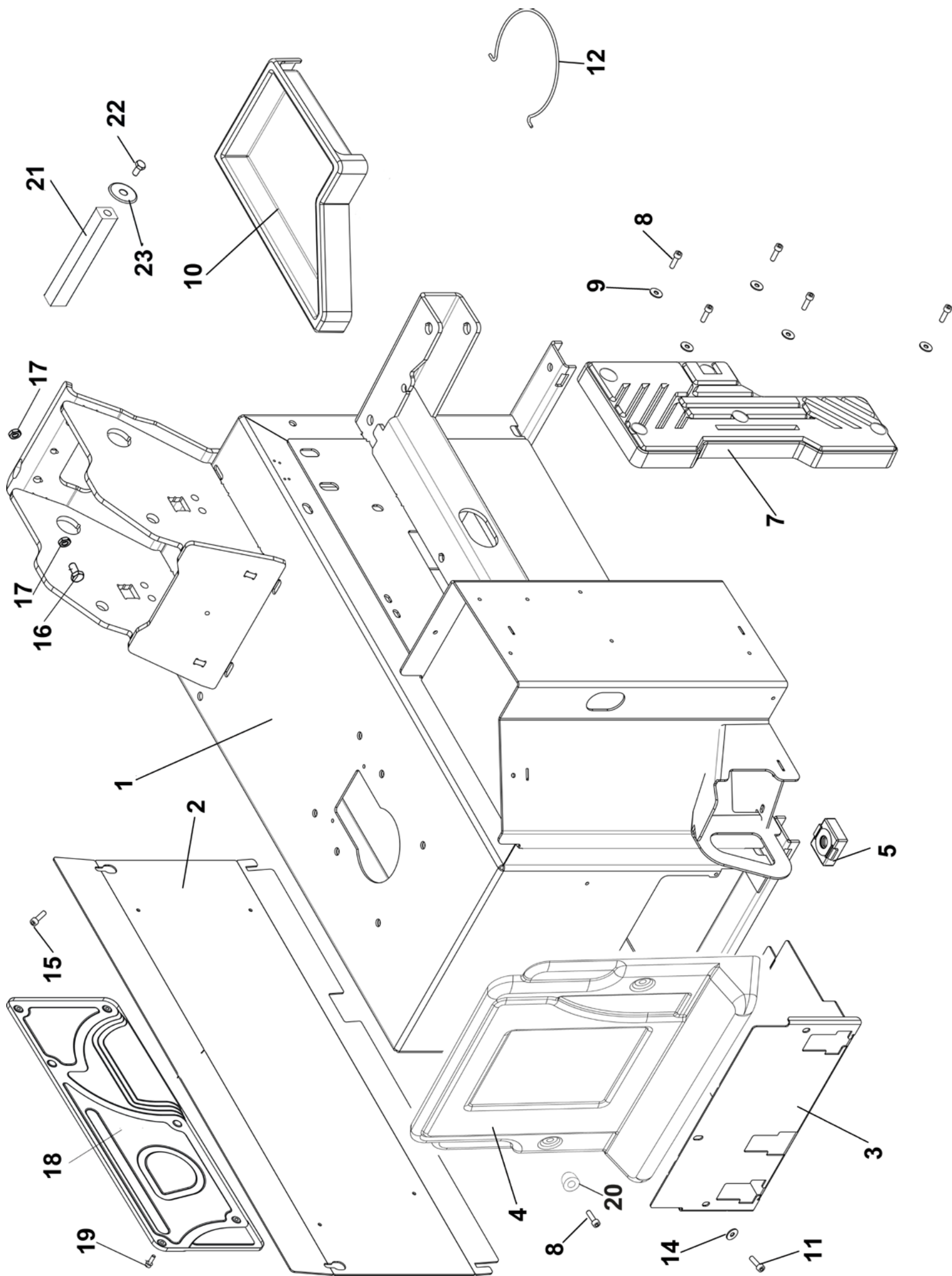


**S228 PRO DUO**  
**S228 PRO DUO GT**



**S228 PRO DUO LNL**  
**S228 PRO DUO LNL GT**



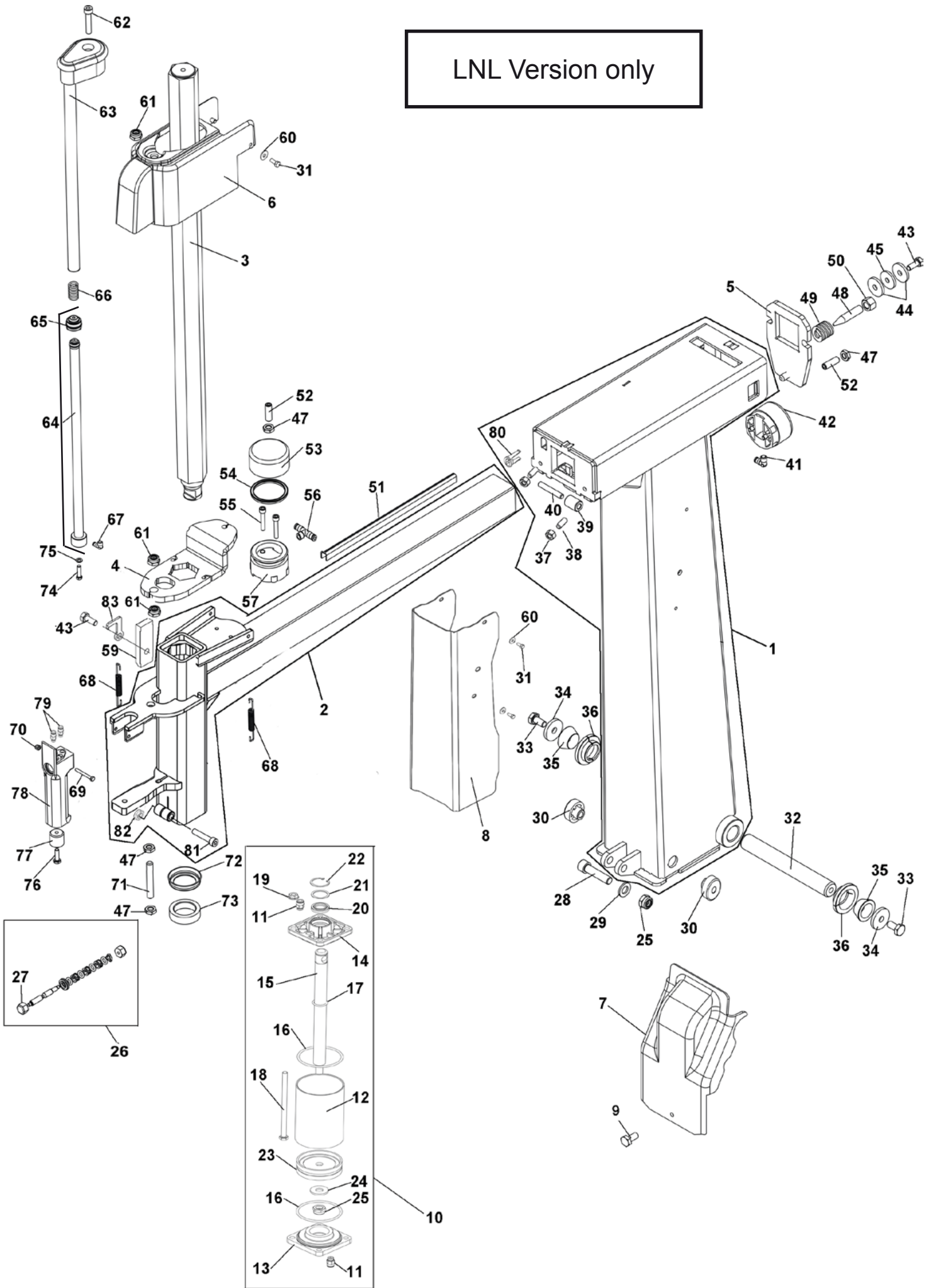


<b>Rif. Ref.</b>	<b>Codice Code</b>	<b>Descrizione</b>	<b>Description</b>
1	5836803	CARCASSA COMPLETA P. - GRIGIO 7040	COMPLETE BODY -GREY 7040
2	5836857	COPERCHIO CARCASSA P. - GRIGIO 7040	BODY COVER
3	5836848	LAMIERA PEDALIERA ALLUMINIO P. - GRIGIO 7040 BUCC.	PEDAL UNIT METAL SHEET -- ALUMINIUM -- GREY 7040
4	3036046B	FRONTALINO ABS SMONTAGOMME "GIU" - BLU	ABS FRONT PANEL FOR TYRE-CHANGER -BLUE-
5	3002099	PIEDE IN PLASTICA PER CARCASSA	PLASTIC FOOT
7	3032880	APP.RUOTA INTEGR.MAGGIORATO	WHEEL SUPPORT
8	4399890	VITE TCEI M 6x20 8.8 ZNT 5931 (K)	SCREW 6x20
9	4398848	RONDELLA 6 (6,6x18x1,5)ZNT6593 (K)	WASHER 6 (6,6x18x1,5)
10	3037110B	COP.APP.STALLONATORE ABS - BLU	BEAD BREAKER SUPPORT ABS COVER – BLUE
11	4398723	VITE TE 6x12 8.8 ZNT 5739 (K)	SCREW 6x12
12	3000069	MOLLA ANELLO PER SECCHIELLO	SPRING
14	4399998	RONDELLA 6 (6,4x12x1,6)ZNT6592 (K)	WASHER 6 (6,4x12x1,6)
15	4393749	VITE FLANG. ZIGR. TCEI M6x20 ZNT (5931+FL) (K)	KNURLED SCREW TCEI M 6x20 ZNT
16	4399786	VITE TE 10x30 8.8 ZNT 5739 TUTTO FILETTO (K)	SCREW 10x30
17	4399967	DADO M10 6S BASSO ZNT 5589 (K)	NUT M10
18	3037473B	PANNELLO LATERALE ABS SMTG - BLU	ABS PANEL BLUE
19	4399299	VITE TCEI M 6x30 8.8 ZNT 5931 (K)	SCREW 6x30
20	3039217	TAPPO FISSAGGIO CARTER ABS	ABS PANEL FIXING BOLT
21	3036986	QUADRO PER RINFORZO CASTELLETTO S228 - BRUNITO	PLATE
22	4399966	VITE TE 10x20 8.8 ZNT 5739 (S) (K)	SCREW 10x20
23	3000495	RONDELLA D. 10x36x5 -ZNT B	WASHER D.10x36x5

Per ordinazioni specificare **sempre** il **numero di matricola** rilevabile sull'apposita targhetta posta sulla macchina. Indicare **sempre** il numero di **riferimento** e il numero di **codice** del particolare.

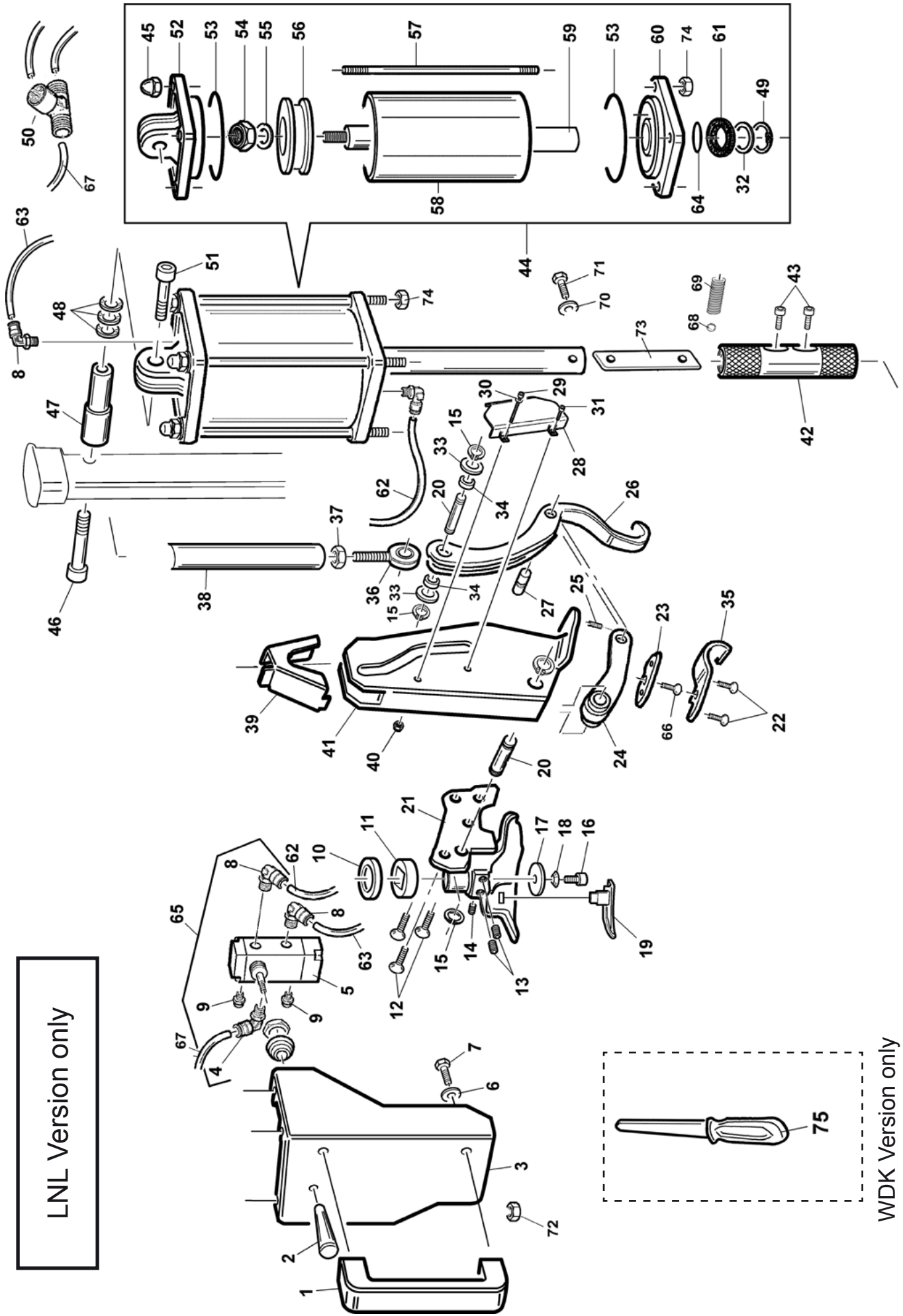
When ordering **always** specify the **serial number** shown on the data plate placed on the machine. Please also **always** specify the **reference** and the **code** number of the spares you require.

LNL Version only



Rif. Ref.	Codice Code	Descrizione	Description
1	2038516	PALO VERTICALE	VERTICAL ARM
2	2038519	GR.PALO QUADRO S228	SQUARED ARM
3	3037344	BRACCIO OPES.41 S234 X QX INTEGRATO L=937	OPERATING HEXAGONAL ARM
4	2136993	PIASTRA BLOCC. BO ES.41 S228 - FOSFATAZ. MANGANESE	OPERATING ARM LOCKING PLATE 41mm S228
5	3015676	PIASTRA BLOCC.P.Q. S.224 N-FOSFATAZ. MANGANESE	HORIZONTAL ARM LOCKING PLATE
6	3037026B	CARENAT.ABS PALO QUADRO-BLU	SQUARE SECTION ARM ABS CASING BLUE
7	3037054B	PROTEZIONE RIBALTAMENTO PALO VERTICALE S228 - BLU	TILT TOWER FRONT PLASTIC PROTECTOR - BLUE
8	3037027B	LAMIERA PORTA-ADESIVI 228-BLU	DECAL HOLDING PLATE - BLUE
9	4393749	VITE FLANG. ZIGR. TCEI M6x20 ZNT (5931+FL) (K)	KNURLED SCREW TCEI M 6x20 ZNT
10	2002831	GR.CIL.RIBALT.+TUBI	TILTING TOWER CYLINDER + HOSES
11	4198993	RACCORDO 6512 1/8"-6 S.R.(DIRITTO+OR)	QUICK UNION 1/8"
12	3008084	CAMICIA CIL.RIBALT. L=135	CYLINDER LINER L=135
13	3015023	FLANGIA POSTER.D.75-PRF	FLANGE
14	3015024	FLANGIA ANTER.D.75-PRF	FLANGE
15	3002624	ASTA CILINDRO RIBALT. L=309 ZNT	CYLINDER SHAFT L=309
16	4298822	ANELLO OR 842 D.68,26x3,53	O-RING D.68,26x3,53
17	4299168	ANELLO OR 3081 D.20,29x2,62	O-RING D.20,29x2,62
18	3008085	VITE SPECIALE TE M8x162 ZNT B. (K)	CYLINDER TIE ROD M8x160
19	4397678	DADO FLANGIATO M8 ZNT DIN 6923 (K)	FLANGED NUT M8
20	3199601	ANELLO RASCH.BID.L7 NSW 20 30 6/CO	SCRAPER RING
21	4398146	RASAMENTO 24x30x1 (K)	STEEL SHIM 24x30x1
22	3199599	ANELLO SEEGER I D.30 JV (K)	SEEGER RING D.30
23	4198856	PISTONE MONOBLOCCO TDUOP D.75	PISTON D.75
24	4398753	RONDELLA 12,5x30x3 ZNT. (S) (K)	WASHER D.12,5x30x3
25	4399865	DADO AUTOBL.M12 BASSO.6S. 7474 (K)	SELF-LOCKING NUT M12
26	2008335	KIT RICAMBIO X COMANDO ROBOT	OPERATING ARM ROBOT CONTROL SPARE KIT
27	3012721	CAPPUCCIO ALLUM.	ALUMINIUM CAP
28	3035820	PERNO X CROC. M12 L=55 TCEI	PIN M12 L=55
29	4399981	RONDELLA 12 (13x24x2,5)ZNT6592 (K)	WASHER 12 (13x24x2,5)
30	3014633	DISTANZIALE PALO V.233-TEKNOFORM AH100/2	ARM SPACER V.233-TEKNOFORM AH100/2
31	4398723	VITE TE 6x12 8.8 ZNT 5739 (K)	SCREW 6x12
32	3015981	PERNO FULCRO PALO VERTICALE S224 F	ARTICULATION PIN
33	4399966	VITE TE 10x20 8.8 ZNT 5739 (S) (K)	SCREW 10x20
34	3000495	RONDELLA D. 10x36x5 -ZNT B	WASHER D.10x36x5
35	3015750	BUSSOLA INTERNA -BRUNITO	INNER BUSH
36	3015751	BUSSOLA ESTERNA AD ESPANSIONE -BRUN.	OUTER BUSH
37	4398862	DADO M8 BASSO UNI5589-ZINC. (K)	NUT M8
38	4398509	VITE STEI 8x16 P.CONICA 5927 (K)	SCREW 8x16
39	3038370	RULLINO TESTATA PALO VERT.228 CRBNTR	ROLLER
40	4392746	SPINA CIL.RETT. 8x80 6364A (K)	PARALLEL PIN 8x80
41	4197741	RACCORDO 6500 1/8"-4 90° A.107	UNION 1/8"
42	2099665	CILINDRO BLOCCAGGIO	LOCKING CYLINDER
43	4399827	VITE TE 8x20 8.8 ZNT 5739 (K)	SCREW 8x20
44	4399947	RONDELLA 8 (9x32x4) ZNT 6593 (K)	WASHER 8 (9x32x4)
45	3000181	RONDELLA AMM. MOTORE	WASHER
47	4399967	DADO M10 6S BASSO ZNT 5589 (K)	NUT M10
48	3015677	VITE SPECIALE M12X60 P.C.3 - CARBONITRURATO	SPECIAL SCREW 12x60
49	4294966	MOLLA CARICO LEGG. VERDE CL 26X25	SPRING 26X25
50	4398805	DADO M12 ALTO ZNT 5587 (K)	NUT M12
51	3039793	GUIDA TUBI SERIE "P"	PIPE GUIDE - SERIE "P"
52	4398284	VITE STEI 10x30 P.P. 5923 (K)	SCREW 10x30 5923
53	4299524	CAMICIA CILINDRO D.60 (c)	CYLINDER LINER D.60
54	4299522	ANELLO TENUTA DEP 60-50-5	SEALING RING
55	4399135	VITE TCEI M 6x35 8.8 ZNT 5931 (K)	SCREW 6x35
56	4197740	RACCORDO 6410 1/8"-4 S.RAPIDO	QUICK UNION 1/8"
57	4299523	PISTONE D.60	PISTON D.60
59	3007935	AMMORTIZZ. PALO QUADRO AUT.	SHOCK ABSORBER
60	4399998	RONDELLA 6 (6,4x12x1,6)ZNT6592 (K)	WASHER 6 (6,4x12x1,6)
61	4399971	DADO AUTOBL.M10 BASSO.6S. 7474 (K)	SELF-LOCKING NUT M10
62	4399133	VITE TCEI M 8x40 8.8 ZNT 5931 (K)	SCREW 8x40
63	2037341	GR.CANNUCCIA EST.ROBOT 20MM	EXT. ROBOT PIPE 20MM
64	2037438	GR.CANNUCCIA INT.ROBOT 20MM	INNER PIPE ROBOT 20MM
65	4293191	ANELLO TENUTA SUR 20 / 8,4 / 5,8	SEALING RING SUR 20 / 8,4 / 5,8
66	3002629	MOLLA COMPRES. 13,5x28 F 2,3	SPRING 13,5x28 F 2,3
67	4197718	RACCORDO 6522 M5-4 90° A.108	UNION
68	3002273	MOLLA A TRAZIONE L82 -ZNT	SPRING
69	4399896	VITE TE 4x35 8.8 PF ZNT 5737 (K)	SCREW 4x35
70	4399895	DADO AUTOBL.M 4 BASSO.6S. 7474 (K)	SELF-LOCKING NUT M4
71	3012459	BARRA FILETT. M10 L=135	THREADED BAR M10 L=135
72	3017974	COPERCHIO ANELLO AMMORTIZ. ES.41 -LAV.	SHOCK ABSORB. RING COVER
73	3002601	AMMORTIZ. TORRETTA ES.41	MOUNTING TOOL SHOCK ABSORBER
74	4398897	VITE TE 5x20 8.8 ZNT 5739 (K)	SCREW 5x20
75	4399292	RONDELLA 5 (5,3x10x1) ZNT 6592 (S) (K)	WASHER 5 (5,3x10x1)
76	4399892	VITE TE 6x20 8.8 ZNT 5739 (S) (K)	SCREW 6x20
77	3013355	INSERTO X MANIGLIA P.VALV.	HANDLE INSERT
78	2012461	GR.COMANDO ROBOT.231	OPERATING ARM CONTROL
79	4197743	RACCORDO 6512 M5-4 DIR. A.104	UNION
80	3038518	SUPPORTO GUIDA TUBI diam. 21 mm	HOSE GUIDE SUPPORT
81	4399133	VITE TCEI M 8x40 8.8 ZNT 5931 (K)	SCREW 8x40
82	4399900	DADO AUTOBL.M 8 BASSO 6.S 7474 (K)	SELF-LOCKING NUT M8- LOW.6S. 7474
83	3038470	PIASTRINO FISSAGGIO TUBI ARIA TESTATA S228 - ZNT BIANCO	HOSES FASTENING PLATE

LNL Version only



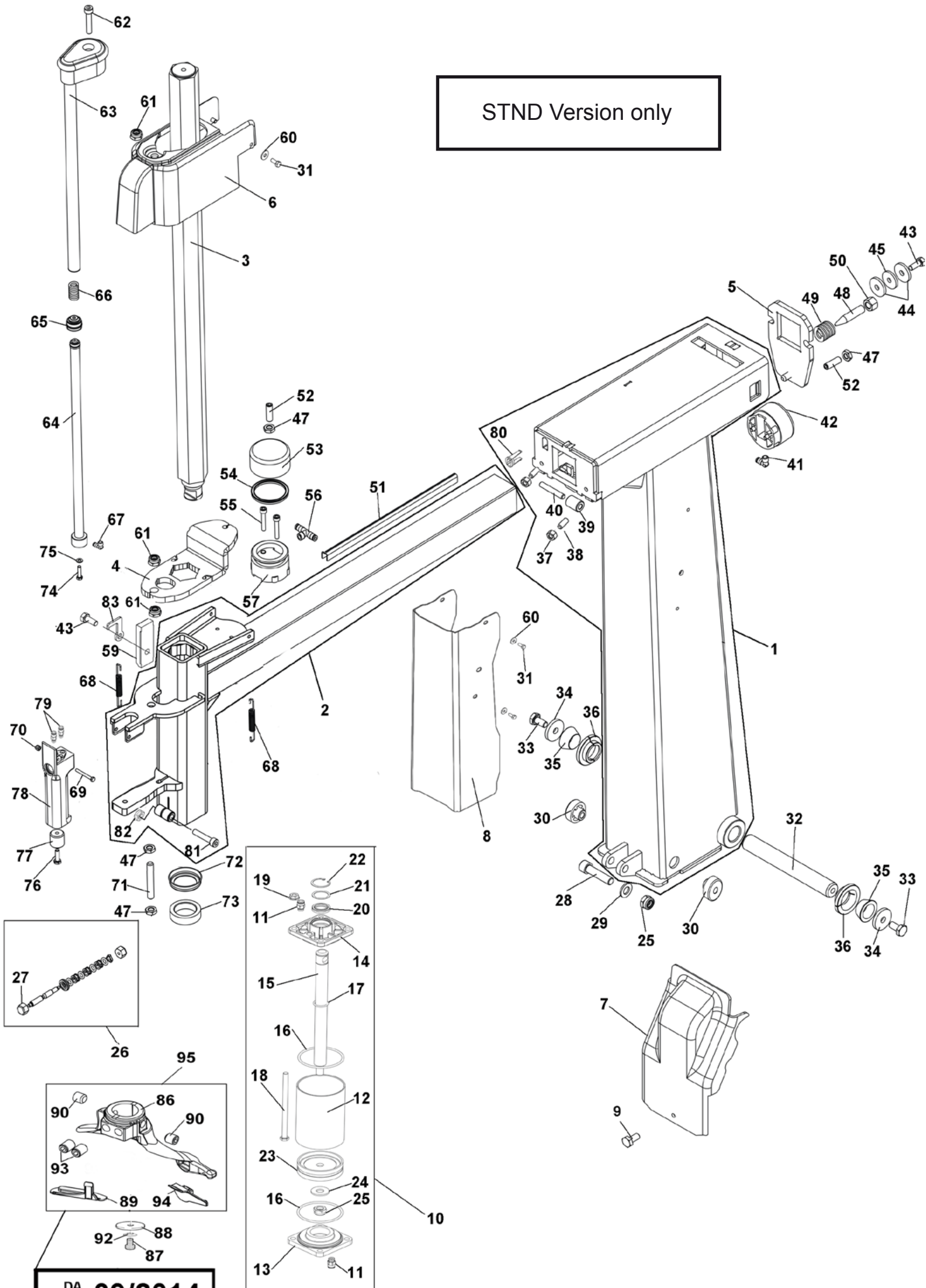
WDK Version only

<b>Rif. Ref.</b>	<b>Codice Code</b>	<b>Descrizione Articolo</b>	<b>Description</b>
1	4297851	MANIGLIA A PONTE ABS PICCOLA (*)	HANDLE
2	3010284	POMOLO D.14x45 FORO M5 ZNT	KNOB D.14X45 M5
3	7037345	LAMIERA PORTAVALVOLA QX INTEGRATO - GREZZO	VALVE SUPPORT
4	4197210	RACCORDO 6520 1/8"-4 90°	UNION 1/8"
5	4198285	VALVOLA 5 VIE CENTRI CHIUSI 368-905 (p)	5-WAY VALVE
6	4399829	RONDELLA 8 (8,4x16x1,5)ZNT6592	WASHER 8 (8,4x16x1,5)
7	4399954	VITE TCEI M 8x20 8.8 ZNT 5931 (S)	SCREW 8x20
8	4198618	RACCORDO 6522 1/8"-6 (90°-GIR.+ OR)	UNION 1/8"
9	4199610	SILENZIATORE 1 SFE 1/8" OTTONE C/RETE	SILENCER 1/8"
10	3017974	COPERCHIO ANELLO AMMORTIZ. ES.41 -LAV.	SHOCK ABSORB. RING COVER
11	3002601	AMMORTIZ. TORRETTA ES.41	MOUNTING TOOL SHOCK ABSORBER
12	4393957	VITE TSPEI 10X12 ZNT 5933	SCREW TSPEI 10X12 ZNT 5933
13	4398426	VITE STEI 12x16 P.CONICA 5927	SCREW 12x16
14	4398179	VITE STEI 12x12 P.CONICA 5927	SCREW 12x12
15	4399864	ANELLO SEEGER E D.12 7435	SEEGER RING D.12
16	4399228	VITE TE 10x25 10.9 ZNT 5739	SCREW 10x25
17	4395804	RONDELLA DIN6319 "G" 14,2x35x5 (*)	WASHER DIN6319 "G" 14,2x35x5
18	4395805	RONDELLA "C" 10,2x21x4 DIN6319 (*)	WASHER DIN6319 "C" 10,2x21x4
19	3019305NE	PATTINO POSTERIORE UT INTEGR-NEUTRO	TOOL BACK SLIDE - NEUTRAL COLOUR
20	3019210	PERNO BIELLA - CEMENTATO	CONNECTING ROD PIN
21	3019198	TORRETTA UTENSILE SENZA LEVA-NICH. CHIM.	TOUCHLESS MOUNTING TOOL
22	4393753	VITE TSPEI 5X10 12.9 5933 - UBK	SCREW TSPEI 5X10 12.9 5933
23	3031595	LINGUETTA FILETTATA QX	THREADED TAB
24	3019214	BIELLA UTENSILE - NICHEL. CHIM.	CONNECTING ROD
25	4399957	VITE STEI 6x8 P.COPPA 5929	SCREW 6x8 5929
26	3033743	UTENSILE FRESATO - NICHEL. CHIM.	MILLED TOOL
27	3019212	PERNO UTENSILE - CEMENTATO	TOOL PIN
28	3038757	LAMIERA PROTEZIONE ASOLA DISINSERIBILE X SCAT.FUSIONE - zinc.b.	SLOT COVER
29	4398961	VITE TE 8x45 8.8 ZNT 5739	SCREW 8x45
30	4399829	RONDELLA 8 (8,4x16x1,5)ZNT6592	WASHER 8 (8,4x16x1,5)
31	4399305	VITE TE 8x12 8.8 ZNT 5739	SCREW 8x12
32	4398146	RASAMENTO 24x30x1 (*)	STEEL SHIM 24x30x1
33	4399981	RONDELLA 12 (13x24x2,5)ZNT6592	WASHER 12 (13x24x2,5)
34	3017302	BOCCOLA 12/18/6,5-CRBNTR 02/03 HRC55/60	FERRULE 12/18/6,5
35	3019306NE	PATTINO ANTERIORE UT INTEGR-NEUTRO	TOOL FRONT SLIDE - NEUTRAL COLOUR
36	4293461	GIUNTO A SFERA SA 12 E	BALL JOINT SA 12 E
37	4398657	DADO M12 BASSO ZNT 5589	NUT M12
38	3036540c	STELO INFERIORE DISINSERIBILE TT - CROMATO	DISCONNECTABLE LOWER ROD
39	3040282	COPERCHIO SUPERIORE DISINSERIBILE X SCAT.FUSIONE - zinc.b.	UPPER COVER

40	4398987	DADO AUTOBL.M 5 BASSO 6.S 7474	SELF-LOCKING NUT M5- LOW.6S. 7474
41	3038546	SCATOLA UTENSILE INTEGRATO UNIVERSALE - NICHEL.CHIM.	TOOL CASE
42	3036541	MANICOTTO REGOLAZIONE DISINSERIBILE TT - ZNT	ADJUSTING SLEEVE
43	3036543	VITE TCEI 10X20 TORNITA - ZNT	SCREW TCEI 10X20 TURNED
44	2036538	GR. CILINDRO QX DISINSERIBILE TT	QX CYLINDER
45	4395374	DADO A CALOTTA M8 ZNT 5721	NUT M8
46	4397941	VITE TCEI M12x60 12.9 PF 5931	SCREW 12x60
47	3033757	DISTANZIALE FILETTATO X CILINDRO UTENSILE	THREADED SPACER
48	4398944	MOLLA TAZZA 12,2x25x1,5	BELLEVILLE WASHER 12,2x25x1,5
49	3199599	ANELLO SEEGER I D.30 JV	SEEGER RING D.30
50	4197503	RACCORDO 6540 4	UNION
51	3000599	PERNO X CROC. M12 L=50 TCEI (12.9)	PIN M12 L=50
52	3015023	FLANGIA POSTER.D.75-PRF	CYLINDER BOTTOM END CAP D.75
53	4298822	ANELLO OR 842 D.68,26x3,53	O-RING D.68,26x3,53
54	4399865	DADO AUTOBL.M12 BASSO.6S. 7474	SELF-LOCKING NUT M12
55	4398753	RONDELLA 12,5x30x3 ZNT. (S)	WASHER D.12,5x30x3
56	4198856	PISTONE MONOBLOCCO TDUOP D.75	PISTON D.75
57	3034777	VITE SPECIALE M8x1,25x160 - ZNT	SPECIAL SCREW M8x1,25x160 - ZNT
58	3034845	CAMICIA CILINDRO UTENSILE L=126	CYLINDER LINER L=126
59	3036539c	STELO SUPERIORE DISINSERIBILE TT - CROMATO	DISCONNECTABLE UPPER ROD
60	3015024	FLANGIA ANTER.D.75-PRF	CYLINDER TOP END CAP
61	3199601	ANELLO RASCH.BID.L7 NSW 20 30 6/CO	SCRAPER RING
62	3015873	TUBO ELASTOLAN 6X4 L=150	ELASTOLAN HOSE 6X4 L=150
63	3012780	TUBO ELASTOLAN 6X4 L=330	HOSE D.6x4
64	4299168	ANELLO OR 3081 D.20,29x2,62	O-RING 20,29x2,62
65	2034899	GR.VALVOLA QX TAG 1100	QX VALVE
66	4393956	VITE TSPEI 5X6 10.9 5933	SCREW TSPEI 5X6 ZNT 5933
67	3037060	TUBO RILSAN 4x2,7 NERO L=850	TUBE
68	4297664	SFERA 5/16" D. 7,938 ACCIAIO	5/16" STEEL BALL
69	4293037	MOLLA A COMPRESSIONE MEC 27	SPRING MEC 27
70	4399998	RONDELLA 6 (6,4x12x1,6)ZNT6592	WASHER 6 (6,4x12x1,6)
71	4398723	VITE TE 6x12 8.8 ZNT 5739	SCREW 6x12
72	4399900	DADO AUTOBL.M 8 BASSO 6.S 7474	SELF-LOCKING NUT M8- LOW.6S. 7474
73	3036542	PIASTRINO FORATO - zinc.b.	DRILLED PLATE
74	4399976	DADO M 8 6S ZNT 5588	NUT M8
75	9234455	658/11 KIT LEVA PTS	PLASTIC TYRE LEVER



STND Version only

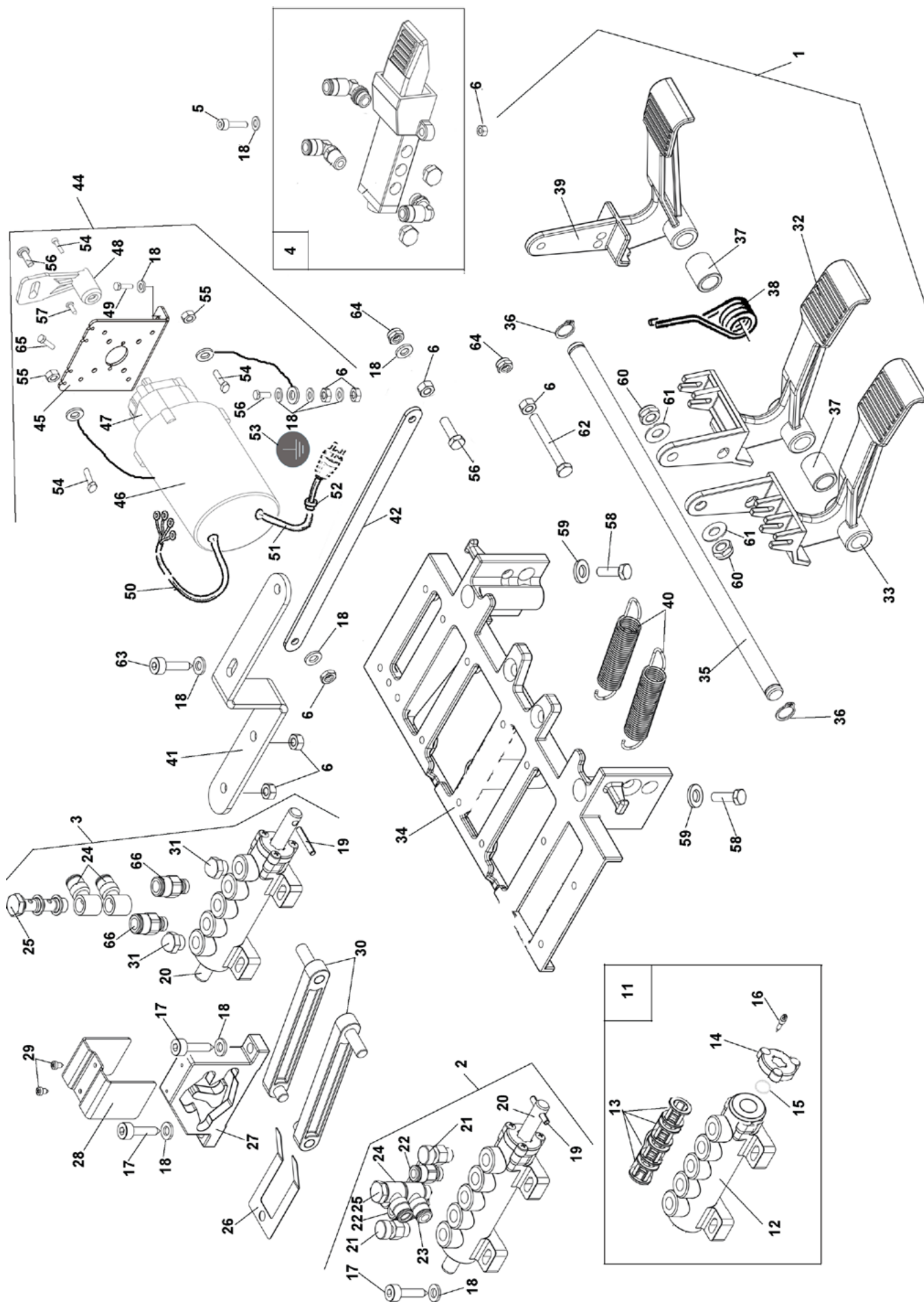


DA FROM **09/2014**

Rif. Ref.	Codice Code	Descrizione	Description
1	2038516	PALO VERTICALE	VERTICAL ARM
2	2038519	GR.PALO QUADRO S228	SQUARED ARM
3	3012325	BRACCIO OP.ES.41 L=858	OPERATING ARM
4	2136993	PIASTRA BLOCC. BO ES.41 S228 - FOSFATAZ. MANGANESE	OPERATING ARM LOCKING PLATE 41mm S228
5	3015676	PIASTRA BLOCC.P.Q. S.224 N-FOSFATAZ. MANGANESE	HORIZONTAL ARM LOCKING PLATE
6	3037026	CARENAT.ABS PALO QUADRO NERA	OPERATING ARM ABS PROTECTOR – BLACK
7	3037054	PROTEZIONE RIBALTAMENTO PALO VERTICALE S228 - NERA	TILT TOWER FRONT PLASTIC PROTECTOR S228 – BLACK
8	3037027B	LAMIERA PORTA-ADESIVI 228-BLU	DECAL HOLDING PLATE - BLUE
9	4393749	VITE FLANG. ZIGR. TCEI M6x20 ZNT (5931+FL) (K)	KNURLED SCREW TCEI M 6x20 ZNT
10	2002831	GR.CIL.RIBALT.+TUBI	TILTING TOWER CYLINDER + HOSES
11	4198993	RACCORDO 6512 1/8"-6 S.R.(DIRITTO+OR)	QUICK UNION 1/8"
12	3008084	CAMICIA CIL.RIBALT. L=135	CYLINDER LINER L=135
13	3015023	FLANGIA POSTER.D.75-PRF	FLANGE
14	3015024	FLANGIA ANTER.D.75-PRF	FLANGE
15	3002624	ASTA CILINDRO RIBALT. L=309 ZNT	CYLINDER SHAFT L=309
16	4298822	ANELLO OR 842 D.68.26x3,53	O-RING D.68,26x3,53
17	4299168	ANELLO OR 3081 D.20.29x2,62	O-RING 20,29x2,62
18	3008085	VITE SPECIALE TE M8x162 ZNT B. (K)	CYLINDER TIE ROD M8x160
19	4397678	DADO FLANGIATO M8 ZNT DIN 6923 (K)	FLANGED NUT M8
20	3199601	ANELLO RASCH.BID.L7 NSW 20 30 6/CO	SCRAPER RING
21	4398146	RASAMENTO 24x30x1 (K)	STEEL SHIM 24x30x1
22	3199599	ANELLO SEEGER I D.30 JV (K)	SEEGER RING D.30
23	4198856	PISTONE MONOBLOCCO TDUOP D.75	PISTON D.75
24	4398753	RONDELLA 12,5x30x3 ZNT. (S) (K)	WASHER D.12,5x30x3
25	4399865	DADO AUTOBL.M12 BASSO.6S. 7474 (K)	SELF-LOCKING NUT M12
26	2008335	KIT RICAMBIO X COMANDO ROBOT	OPERATING ARM ROBOT CONTROL SPARE KIT
27	3012721	CAPPUCCIO ALLUM.	ALUMINIUM CAP
29	4399981	RONDELLA 12 (13x24x2,5)ZNT6592 (K)	WASHER 12 (13x24x2,5)
30	3014633	DISTANZIALE PALO V.233-TEKNOFORM AH100/2	ARM SPACER V.233-TEKNOFORM AH100/2
31	4398723	VITE TE 6x12 8.8 ZNT 5739 (K)	SCREW 6x12
32	3015981	PERNO FULCRO PALO VERTICALE S224 F	ARTICULATION PIN
33	4399966	VITE TE 10x20 8.8 ZNT 5739 (S) (K)	SCREW 10x20
34	3000495	RONDELLA D. 10x36x5 -ZNT B	WASHER D.10x36x5
35	3015750	BUSSOLA INTERNA -BRUNITO	INNER BUSH
36	3015751	BUSSOLA ESTERNA AD ESPANSIONE -BRUN.	OUTER BUSH
37	4398862	DADO M8 BASSO UNI5589-ZINC. (K)	NUT M8
38	4398509	VITE STEI 8x16 P.CONICA 5927 (K)	SCREW 8x16
39	3038370	RULLINO TESTATA PALO VERT.228 CRBNTR	ROLLER
40	4392746	SPINA CIL.RETT. 8x80 6364A (K)	PARALLEL PIN 8x80
41	4197741	RACCORDO 6500 1/8" -4 90° A.107	UNION 1/8"
42	2099665	CILINDRO BLOCCAGGIO	LOCKING CYLINDER
43	4399827	VITE TE 8x20 8.8 ZNT 5739 (K)	SCREW 8x20
44	4399947	RONDELLA 8 (9x32x4) ZNT 6593 (K)	WASHER 8 (9x32x4)
45	3000181	RONDELLA AMM. MOTORE	WASHER
47	4399967	DADO M10 6S BASSO ZNT 5589 (K)	NUT M10
48	3015677	VITE SPECIALE M12X60 P.C.3 - CARBONITRURATO	SPECIAL SCREW 12x60
49	4294966	MOLLA CARICO LEGG. VERDE CL 26X25	SPRING 26X25
50	4398805	DADO M12 ALTO ZNT 5587 (K)	NUT M12
51	3039793	GUIDA TUBI SERIE "P"	PIPE GUIDE - SERIE "P"
52	4398284	VITE STEI 10x30 P.P. 5923 (K)	SCREW 10x30 5923
53	4299524	CAMICIA CILINDRO D.60 (c)	CYLINDER LINER D.60
54	4299522	ANELLO TENUTA DEP 60-50-5	SEALING RING
55	4399135	VITE TCEI M 6x35 8.8 ZNT 5931 (K)	SCREW 6x35
56	4197740	RACCORDO 6410 1/8" -4 S.RAPIDO	QUICK UNION 1/8"
57	4299523	PISTONE D.60	PISTON D.60
59	3007935	AMMORTIZZ. PALO QUADRO AUT.	SHOCK ABSORBER
60	4399998	RONDELLA 6 (6,4x12x1,6)ZNT6592 (K)	WASHER 6 (6,4x12x1,6)
61	4399971	DADO AUTOBL.M10 BASSO.6S. 7474 (K)	SELF-LOCKING NUT M10
62	4399133	VITE TCEI M 8x40 8.8 ZNT 5931 (K)	SCREW 8x40
63	2008968	GR.CANNUCCIA EST.ROBOT C.S231	OUTER PIPE
64	2008969	GR.CANNUCCIA INT.ROBOT S231	INNER PIPE
65	4298812	ANELLO TENUTA UP 8,4x16x5,8	SEALING RING 8,4x16x5,8
66	3002629	MOLLA COMPRES. 13,5x28 F 2,3	SPRING 13,5x28 F 2,3
67	4197718	RACCORDO 6522 M5-4 90° A.108	UNION
68	3002273	MOLLA A TRAZIONE L82 -ZNT	SPRING
69	4399896	VITE TE 4x35 8.8 PF ZNT 5737 (K)	SCREW 4x35
70	4399895	DADO AUTOBL.M 4 BASSO.6S. 7474 (K)	SELF-LOCKING NUT M4
71	3012459	BARRA FILETT. M10 L=135	THREADED BAR M10 L=135
72	3017974	COPERCHIO ANELLO AMMORTIZ. ES.41 -LAV.	SHOCK ABSORB. RING COVER
73	3002601	AMMORTIZ. TORRETTA ES.41	MOUNTING TOOL SHOCK ABSORBER
74	4398897	VITE TE 5x20 8.8 ZNT 5739 (K)	SCREW 5x20
75	4399292	RONDELLA 5 (5,3x10x1) ZNT 6592 (S) (K)	WASHER 5 (5,3x10x1)
76	4399892	VITE TE 6x20 8.8 ZNT 5739 (S) (K)	SCREW 6x20
77	3013355	INSERTO X MANIGLIA P.VALV.	HANDLE INSERT
78	2012461	GR.COMANDO ROBOT.231	OPERATING ARM CONTROL
79	4197743	RACCORDO 6512 M5-4 DIR. A.104	UNION
80	3038518	SUPPORTO GUIDA TUBI diam. 21 mm	HOSE GUIDE SUPPORT
81	4399133	VITE TCEI M 8x40 8.8 ZNT 5931 (K)	SCREW 8x40
82	4399900	DADO AUTOBL.M 8 BASSO.6S 7474 (K)	SELF-LOCKING NUT M8- LOW.6S. 7474
83	3038470	PIASTRINO FISSAGGIO TUBI ARIA TESTATA S228 - ZNT BIANCO	HOSES FASTENING PLATE
86	3036626	UTENSILE INT. CORTO "LP 2016" SHA 10° -NICHEL. CHIM.	MOUNTING TOOL "LP" SHA 10° -NICHEL. CHIM.
87	4399953	VITE TE 10x16 8.8 ZNT 5739 (K)	SCREW 10x16
88	4395804	RONDELLA DIN6319 "G" 14,2x35x5 (K)	WASHER DIN6319 "G" 14,2x35x5
89	3036922	INSERTO POSTERIORE X UT. LP	REAR PLASTIC PROTECTION - LP
90	4398179	VITE STEI 12x12 P.CONICA 5927 (K)	CONICAL SCREW 12x12 5927
92	4395805	RONDELLA "C" 10,2x21x4 DIN6319 (K)	WASHER DIN6319 "C" 10,2x21x4
93	4398426	VITE STEI 12x16 P.CONICA 5927 (K)	SCREW 12x16
94	3036650	INSERTO ANTERIORE X UT. LP	FRONT PLASTIC PROTECTION - LP
95	2038767	TORRETTA INTEGR.COMPLETA "LP"	"LP" MOUNTING HEAD -- COMPLETE --

# Pedaliera 1PH

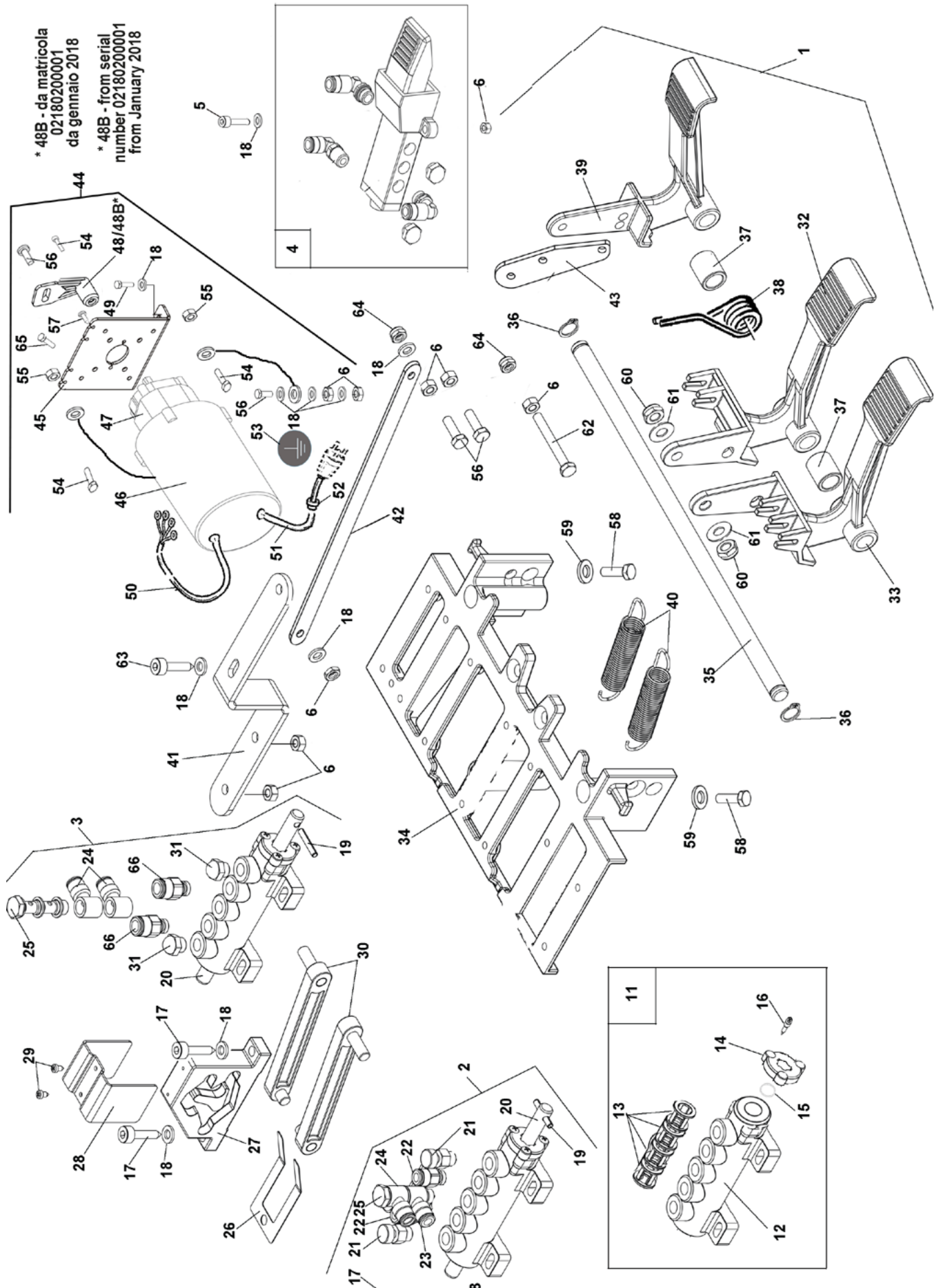
# 1PH pedal unit



<b>Rif. Ref.</b>	<b>Codice Code</b>	<b>Descrizione</b>	<b>Description</b>
1	2016745	PEDALIERA AUTOM. LEGA DE S233	PEDAL UNIT
2	2002531	GR.VALVOLA RIBALT. LINEA	VALVE
3	2002529	GR.VALVOLA AUTOC. LINEA	VALVE
4	2037050	GR. PEDALE COMANDO CILINDRO STALL. D.E. S228	BEAD BREAKER PEDAL ASSEMBLY
5	4399999	VITE TCEI M 6x25 8.8 ZNT 5931 (K)	SCREW 6x25
6	4399889	DADO M 6 6S ZNT 5588 (K)	NUT M6
11	2002444	GR.VALVOLA LINEA SENZA PERNO	VALVE UNIT WITHOUT PIN
12	3001583	VALVOLA DISTRIB. -SENZA CHIAVET	DISTRIBUTION VALVE
13	3001584	DISTANZIALE X VALVOLA 3001583	SPACER
14	3001585	FLANGIA X VALVOLA 3001583	FLANGE
15	4299000	ANELLO OR 9,8x3,85	O-RING 9,8x3,85
16	4398999	VITE AUTOF.TCIC 3,5x13 AB6954 ZNT (K)	SELF-TAPPING SCREW 3,5x13
17	4398274	VITE AUTOF. TCEI 5,5x25 ZNT (K)	SELF-TAPPING SCREW 5,5x26
18	4399998	RONDELLA 6 (6,4x12x1,6)ZNT6592 (K)	WASHER 6 (6,4x12x1,6)
19	4398783	SPINA ELASTICA D.4x24 6874 (K)	ELASTIC PIN D.4x24
20	3002442	PERNO X VALVOLA GRIFFE/RIBALT.	VALVE PIN
21	4199843	REGOL.SCAR.SILENZ.SVE 1/8"	SILENCER OUTLET REGULATOR 1/8"
22	4198993	RACCORDO 6512 1/8"-6 S.R.(DIRITTO+OR)	QUICK UNION 1/8"
23	4199927	RACCORDO 6610 1/8" 6/4 S.RAP.	QUICK UNION 1/8" 6-4
24	4197819	RACCORDO 6610 1/8" 8 S.RAP.	QUICK UNION 1/8" 8-6
25	4199928	RACCORDO 1631-02 1/8"	UNION 1/8"
26	4299911	BALESTRA A FORCELLA (c)	LEAF SPRING
27	4299913	CAMMA DOPPIA	DOUBLE CAM
28	4299910	CAVALLOTTO GUIDA BIELLA (c)	U BOLT
29	4399891	VITE AUTOF.TC+ 2,9x6,5 ZNT DIN 7981 (K)	SELF-TAPPING SCREW 2,9x6,5
30	4299912	BIELLA PER CAMME	CONNECTING ROD
31	4193288	SILENZIATORE SPFL 1/8	SILENCER SPFL 1/8
32	3002159	PEDALE COM. AUTOC./STALL. ALL.	CONTROL PEDAL
33	3002160	PEDALE COM. RIBALT. ALL.	CONTROL PEDAL
34	3002161	BASAMENTO PEDALIERA	PEDAL BOX BASE
35	3003095	PERNO ALLIN.PED. L.336-ZNT B.	PIN L=336
36	4399864	ANELLO SEEGER E D.12 7435 (K)	SEEGER RING D.12
37	3007953	BOCCOLA D.18x12,5x20,5 PED.INV.	BUSH 18x12,5x20,5
38	3017116	MOLLA COMANDO PEDALE INV. D.3,5 S225	PEDAL CONTROL SPRING
39	3002157	PEDALE COM.INVERT. ALL.	CONTROL PEDAL
40	3018802	MOLLA RICH.PEDALE STALLONATORE	PEDAL RETURN SPRING
41	3015342	STAFFA X SUPPORTO INVERT.-ZNT	SUPPORT
42	3015341	BIELLA COM.INVERT.-ZNT	CONNECTING ROD
44	2015404	GR.INVERT.NEW 1PH 25A	REVERSER UNIT NEW 1PH 25A
44A	2015455	GR.INVERT.1PH 25A NEW CAVO+SPINA	REVERSER UNIT 1PH 25A NEW
45	3015340	SUPPORTO INVERT.SONTHEIMER ZNT.	REVERSER SUPPORT
46	3015345	PROTEZIONE X INVERT. SONTHEIMER	REVERSER COVER
47	4595380	INVERTIT. 32A SONTHEIMER WAB943/32S	REVERSER 32A SONTHEIMER
48	3000175	LEVA INVERTITORE	REVERSER SWITCH LEVER
49	4398723	VITE TE 6x12 8.8 ZNT 5739 (K)	SCREW 6x12
50	2001171	CAVO COLL.MOT.-INV. 3PH L=940	CONNECTING CABLE
51	2001512	CAVO ALIMENT. 3PH L=3750	FEEDING CABLE 3PH L=3750
52	4599986	BLOCCAPASSAC. D.9 art.SR 6L-1	CABLE HOLDER D.9
53	3005604	DECALCO BOLLINO PE 27552 BSO	DECAL
54	4399905	VITE TE 4x12 8.8 ZNT 5739 (K)	SCREW 4x12
55	4396106	DADO M 4 6S ZNT 5588 (K)	NUT M4
56	4399892	VITE TE 6x20 8.8 ZNT 5739 (S) (K)	SCREW 6x20
57	4397734	VITE AUTOF.TCIC2,9x12,7 AB6954 ZNT	SELF-TAPPING SCREW 2,9x12,7
58	4399946	VITE TE 8x16 8.8 ZNT 5739 (K)	SCREW 8x16
59	4399829	RONDELLA 8 (8,4x16x1,5)ZNT6592 (K)	WASHER 8 (8,4x16x1,5)
60	4399900	DADO AUTOBL.M 8 BASSO 6.S 7474 (K)	SELF-LOCKING NUT M8- LOW.6S. 7474
61	4399894	MOLLA TAZZA 8,2X18X1 UNI 8737 - DIN 2093 (K)	BELLEVILLE WASHER 8,2x18x1
62	4397649	VITE TE 6x50 8.8 PF ZNT 5737 (K)	SCREW 6x50 8.8 PF ZNT 5737
63	4398273	VITE AUTOF. TCEI 5,5x19 ZNT (K)	SELF-TAPPING SCREW 5,5x19
64	4399893	DADO AUTOBL.M 6 BASSO.6S. 7474 (K)	SELF-LOCKING NUT M6
65	4399044	VITE TCEI M 3x12 12.9 5931 (K)	SCREW 3x12
66	4198954	RACCORDO 6512 1/8"-8 S.R. (DIRITTO+OR)	QUICK UNION 6512 1/8" -8 S.R.

# Pedaliere doppia velocità

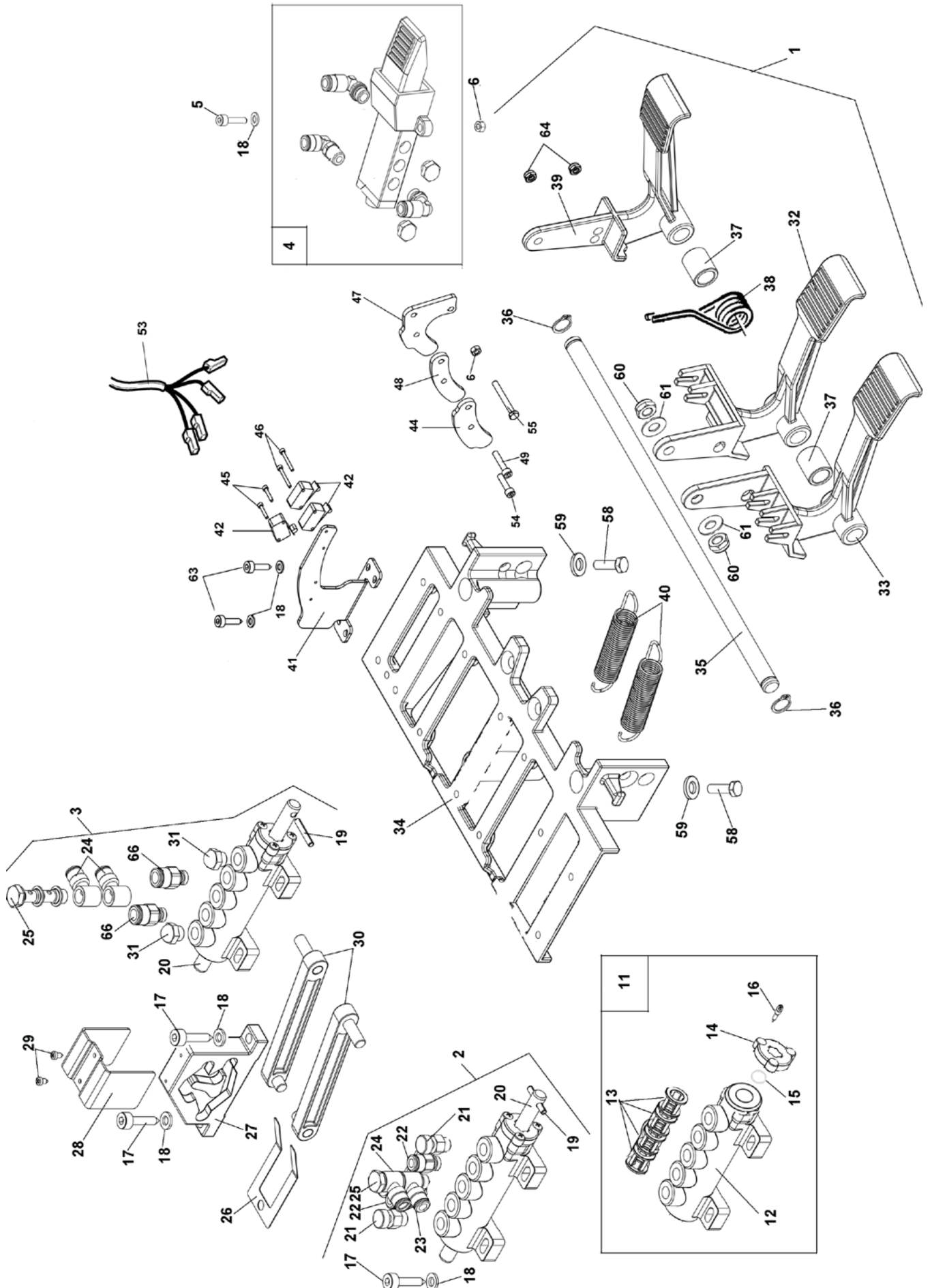
# Double velocity pedal unit



<b>Rif. Ref.</b>	<b>Codice Code</b>	<b>Descrizione</b>	<b>Description</b>
1	2038236	PEDALIERA AUTOM. S228 2V	PEDAL UNIT
2	2002531	GR.VALVOLA RIBALT. LINEA	VALVE
3	2002529	GR.VALVOLA AUTOC. LINEA	VALVE
4	2037050	GR. PEDALE COMANDO CILINDRO STALL. D.E. S228	BEAD BREAKER PEDAL ASSEMBLY
5	4399999	VITE TCEI M 6x25 8.8 ZNT 5931 (K)	SCREW 6x25
6	4399889	DADO M 6 6S ZNT 5588 (K)	NUT M6
11	2002444	GR. VALVOLA LINEA SENZA PERNO	VALVE UNIT WITHOUT PIN
12	3001583	VALVOLA DISTRIB.-SENZA CHIAVET	DISTRIBUTION VALVE
13	3001584	DISTANZIALE X VALVOLA 3001583	SPACER
14	3001585	FLANGIA X VALVOLA 3001583	FLANGE
15	4299000	ANELLO OR 9,8x3,85	O-RING 9,8x3,85
16	4398999	VITE AUTOF.TCIC 3,5x13 AB6954 ZNT (K)	SELF-TAPPING SCREW 3,5x13
17	4398274	VITE AUTOF. TCEI 5,5x25 ZNT (K)	SELF-TAPPING SCREW 5,5x26
18	4399998	RONDELLA 6 (6,4x12x1,6)ZNT6592 (K)	WASHER 6 (6,4x12x1,6)
19	4398783	SPINA ELASTICA D.4x24 6874 (K)	ELASTIC PIN D.4x24
20	3002442	PERNO X VALVOLA GRIFFE/RIBALT.	VALVE PIN
21	4199843	REGOL.SCAR.SILENZ.SVE 1/8"	SILENCER OUTLET REGULATOR 1/8"
22	4198993	RACCORDO 6512 1/8"-6 S.R.(DIRITTO+OR)	QUICK UNION 1/8"
23	4199927	RACCORDO 6610 1/8" 6/4 S.RAP.	QUICK UNION 1/8" 6-4
24	4197819	RACCORDO 6610 1/8" 8 S.RAP.	QUICK UNION 1/8" 8-6
25	4199928	RACCORDO 1631-02 1/8"	UNION 1/8"
26	4299911	BALESTRA A FORCELLA (c)	LEAF SPRING
27	4299913	CAMMA DOPPIA	DOUBLE CAM
28	4299910	CAVALLOTTO GUIDA BIELLA (c)	U BOLT
29	4399891	VITE AUTOF.TC+ 2,9x6,5 ZNT DIN 7981 (K)	SELF-TAPPING SCREW 2,9x6,5
30	4299912	BIELLA PER CAMME	CONNECTING ROD
31	4193288	SILENZIATORE SPFL 1/8	SILENCER SPFL 1/8
32	3002159	PEDALE COM. AUTOC./STALL. ALL.	CONTROL PEDAL
33	3002160	PEDALE COM. RIBALT. ALL.	CONTROL PEDAL
34	3002161	BASAMENTO PEDALIERA	PEDAL BOX BASE
35	3003095	PERNO ALLIN.PED. L.336-ZNT B.	PIN L=336
36	4399864	ANELLO SEEGER E D.12 7435 (K)	SEEGER RING D.12
37	3007953	BOCCOLA D.18x12,5x20,5 PED.INV.	BUSH 18x12,5x20,5
38	3017116	MOLLA COMANDO PEDALE INV. D.3,5 S225	PEDAL CONTROL SPRING
39	3011494	PEDALE INVERT. 225 2V	CONTROL PEDAL
40	3018802	MOLLA RICH.PEDALE STALLONATORE	PEDAL RETURN SPRING
41	3015342	STAFFA X SUPPORTO INVERT.-ZNT	SUPPORT
42	3015341	BIELLA COM.INVERT.-ZNT	CONNECTING ROD
43	3011481	PROL. PEDALE INV.225 2V-ZINC-B.	PEDAL EXTENSION
44	2015406	GR.INVERT.NEW 3PH 25A 2 VEL. PED.	REVERSER NEW 3PH 25A 2V.
45	3015340	SUPPORTO INVERT.SONTHEIMER ZNT.	REVERSER SUPPORT
46	3015599	PROTEZIONE x INVERT. 2V SONTHEIMER	REVERSER PROTECTION
47	4595330	INVERTIT. 25A 2V SONTHEIMER WAB1576/32S	REVERSER 25A 2v. SONTHEIMER
48	3011323	LEVA INVERTITORE (2V.)	REVERSER LEVER
48B	3000175	LEVA INVERTITORE	REVERSER SWITCH LEVER
49	4398723	VITE TE 6x12 8.8 ZNT 5739 (K)	SCREW 6x12
50	2001171	CAVO COLL.MOT.-INV. 3PH L=940	CONNECTING CABLE
51	2001512	CAVO ALIMENT. 3PH L=3750	FEEDING CABLE 3PH L=3750
52	4599986	BLOCCAPASSAC. D.9 art.SR 6L-1	CABLE HOLDER D.9
53	3005604	DECALCO BOLLINO PE 27552 BSO	DECAL
54	4399905	VITE TE 4x12 8.8 ZNT 5739 (K)	SCREW 4x12
55	4396106	DADO M 4 6S ZNT 5588 (K)	NUT M4
56	4399892	VITE TE 6x20 8.8 ZNT 5739 (S) (K)	SCREW 6x20
57	4397734	VITE AUTOF.TCIC2,9x12,7 AB6954 ZNT	SELF-TAPPING SCREW 2,9x12,7
58	4399946	VITE TE 8x16 8.8 ZNT 5739 (K)	SCREW 8x16
59	4399829	RONDELLA 8 (8,4x16x1,5)ZNT6592 (K)	WASHER 8 (8,4x16x1,5)
60	4399900	DADO AUTOBL.M 8 BASSO 6.S 7474 (K)	SELF-LOCKING NUT M8- LOW.6S. 7474
61	4399894	MOLLA TAZZA 8,2X18X1 UNI 8737 - DIN 2093 (K)	BELLEVILLE WASHER 8,2x18x1
62	4397649	VITE TE 6x50 8.8 PF ZNT 5737 (K)	SCREW 6x50 8.8 PF ZNT 5737
63	4398273	VITE AUTOF. TCEI 5,5x19 ZNT (K)	SELF-TAPPING SCREW 5,5x19
64	4399893	DADO AUTOBL.M 6 BASSO.6S. 7474 (K)	SELF-LOCKING NUT M6
65	4399044	VITE TCEI M 3x12 12.9 5931 (K)	SCREW 3x12
66	4198954	RACCORDO 6512 1/8"-8 S.R. (DIRITTO+OR)	QUICK UNION 6512 1/8" -8 S.R.

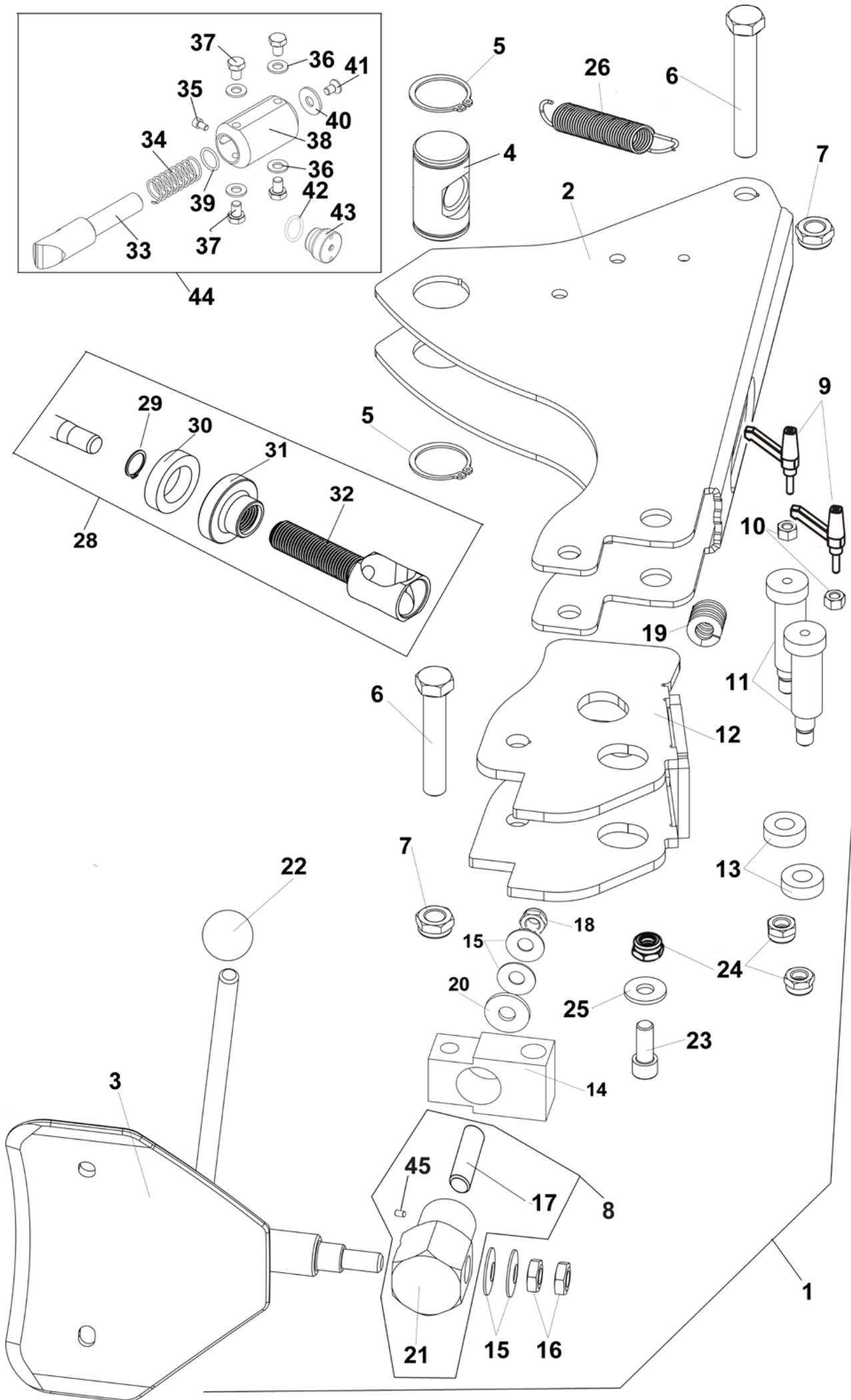
**Pedaliara inverter**

**Inverter pedal unit**

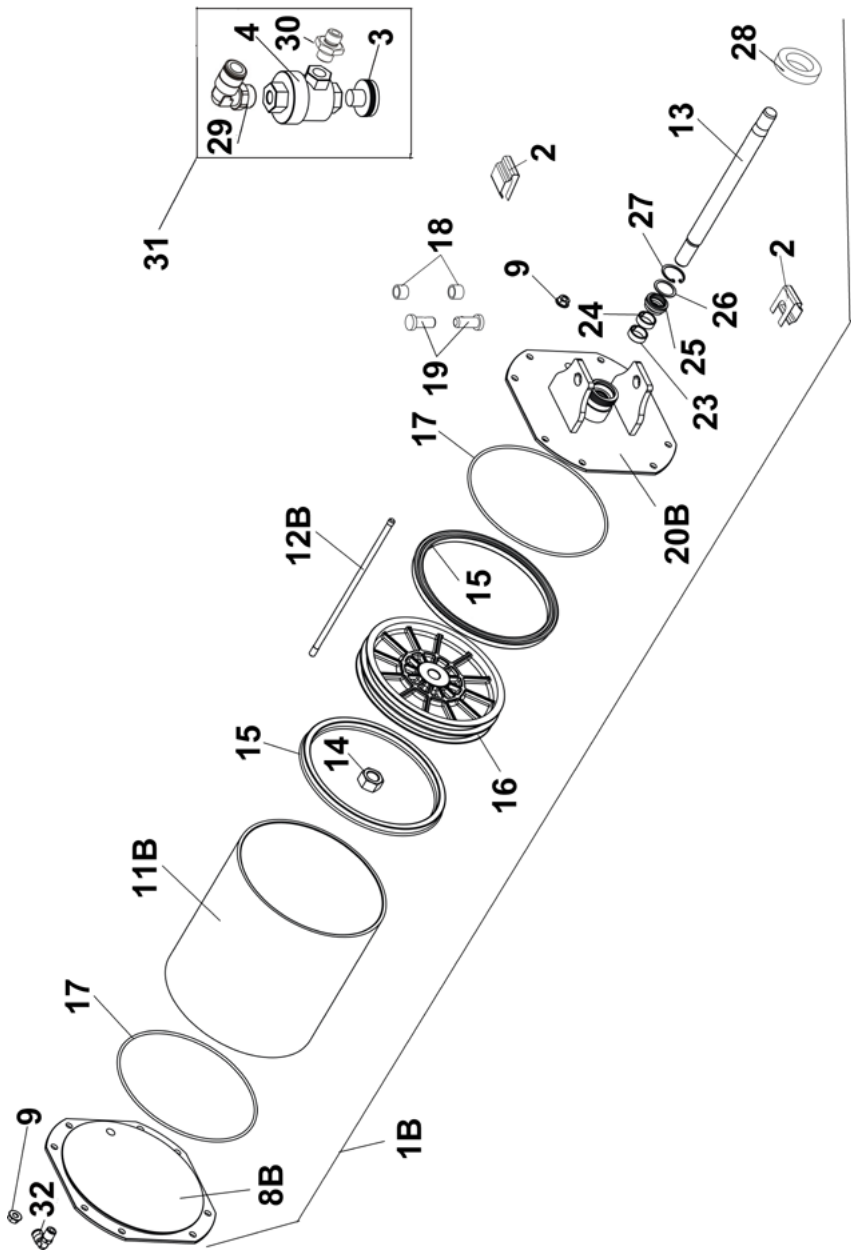


<b>Rif. Ref.</b>	<b>Codice Code</b>	<b>Descrizione</b>	<b>Descrizione</b>
1	2037849	PEDALIERA INVERTER S 228	PEDAL UNIT - INVERTER
2	2002531	GR.VALVOLA RIBALT. LINEA	VALVE
3	2002529	GR.VALVOLA AUTOC. LINEA	VALVE
4	2037050	GR. PEDALE COMANDO CILINDRO STALL. D.E. S228	BEAD BREAKER PEDAL ASSEMBLY
5	4399999	VITE TCEI M 6x25 8.8 ZNT 5931 (K)	SCREW 6x25
6	4399889	DADO M 6 6S ZNT 5588 (K)	NUT M6
11	2002444	GR.VALVOLA LINEA SENZA PERNO	VALVE UNIT WITHOUT PIN
12	3001583	VALVOLA DISTRIB.-SENZA CHIAVET	DISTRIBUTION VALVE
13	3001584	DISTANZIALE X VALVOLA 3001583	SPACER
14	3001585	FLANGIA X VALVOLA 3001583	FLANGE
15	4299000	ANELLO OR 9,8x3,85	O-RING 9,8x3,85
16	4398999	VITE AUTOF.TCIC 3,5x13 AB6954 ZNT (K)	SELF-TAPPING SCREW 3,5x13
17	4398274	VITE AUTOF. TCEI 5,5x25 ZNT (K)	SELF-TAPPING SCREW 5,5x26
18	4399998	RONDELLA 6 (6,4x12x1,6)ZNT6592 (K)	WASHER 6 (6,4x12x1,6)
19	4398783	SPINA ELASTICA D.4x24 6874 (K)	ELASTIC PIN D.4x24
20	3002442	PERNO X VALVOLA GRIFFE/RIBALT.	VALVE PIN
21	4199843	REGOL.SCAR.SILENZ.SVE 1/8"	SILENCER OUTLET REGULATOR 1/8"
22	4198993	RACCORDO 6512 1/8"-6 S.R.(DIRITTO+OR)	QUICK UNION 1/8"
23	4199927	RACCORDO 6610 1/8" 6/4 S.RAP.	QUICK UNION 1/8" 6-4
24	4197819	RACCORDO 6610 1/8" 8 S.RAP.	QUICK UNION 1/8" 8-6
25	4199928	RACCORDO 1631-02 1/8"	UNION 1/8"
26	4299911	BALESTRA A FORCELLA (c)	LEAF SPRING
27	4299913	CAMMA DOPPIA	DOUBLE CAM
28	4299910	CAVALLOTTO GUIDA BIELLA (c)	U BOLT
29	4399891	VITE AUTOF.TC+ 2,9x6,5 ZNT DIN 7981 (K)	SELF-TAPPING SCREW 2,9x6,5
30	4299912	BIELLA PER CAMME	CONNECTING ROD
31	4193188	SILENZIATORE SPFL 1/8	SILENZIATORE SPFL 1/8
32	3002159	PEDALE COM. AUTOC./STALL. ALL.	CONTROL PEDAL
33	3002160	PEDALE COM. RIBALT. ALL.	CONTROL PEDAL
34	3002161	BASAMENTO PEDALIERA	PEDAL BOX BASE
35	3003095	PERNO ALLIN.PED. L.336-ZNT B.	PIN L=336
36	4399864	ANELLO SEEGER E D.12 7435 (K)	SEEGER RING D.12
37	3007953	BOCCOLA D.18x12,5x20,5 PED.INV.	BUSH 18x12,5x20,5
38	3017116	MOLLA COMANDO PEDALE INV. D.3,5 S225	PEDAL CONTROL SPRING
39	3002157	PEDALE COM.INVERT. ALL.	CONTROL PEDAL
40	3018802	MOLLA RICH.PEDALE STALLONATORE	PEDAL RETURN SPRING
41	3032471	STAFFA SUPP.MICRO PEDA.STD PER INV.- ZNT	BRACKET
42	4593992	MICROINTERUTT.CROUZET ATTACCO FASTON 6.3	CROUZET MICROSWITCH
44	3032474	CAMMA 2° VEL.PEDALE STD PER MOTOINV.-ZNT	2ND SPEED CAM
45	4395156	VITE TCEI M 3x16 12.9 5931 (K)	SCREW TCEI M 3x16 12.9 5931
46	4396382	VITE TCEI M 3x25 8.8 ZNT 5931 (K)	SCREW
47	3032472	CAMMA 1° VEL.PEDALE STD PER MOTOINV.-ZNT	1ST SPEED CAM
48	3032473	DISTANZIALE CAMME - ZNT	SPACER
49	4399299	VITE TCEI M 6x30 8.8 ZNT 5931 (K)	SCREW 6x30
53	2037840	CAVO SEGNALE MANDRINO CROSSAGE 2 VEL.	CHUCK SIGNAL CABLE - CROSSAGE 2SPEED
54	4399999	VITE TCEI M 6x25 8.8 ZNT 5931 (K)	SCREW 6x25
55	4395583	VITE TCEI M 6x60 8.8 ZNT 5931 (K)	SCREW M6x60 8.8
58	4399946	VITE TE 8x16 8.8 ZNT 5739 (K)	SCREW 8x16
59	4399829	RONDELLA 8 (8,4x16x1,5)ZNT6592 (K)	WASHER 8 (8,4x16x1,5)
60	4399900	DADO AUTOBL.M 8 BASSO 6.S 7474 (K)	SELF-LOCKING NUT M8- LOW.6S. 7474
61	4399894	MOLLA TAZZA 8,2X18X1 UNI 8737 - DIN 2093 (K)	BELLEVILLE WASHER 8,2x18x1
62	4397649	VITE TE 6x50 8.8 PF ZNT 5737 (K)	SCREW 6x50 8.8 PF ZNT 5737
63	4398273	VITE AUTOF. TCEI 5,5x19 ZNT (K)	SELF-TAPPING SCREW 5,5x19
64	4399893	DADO AUTOBL.M 6 BASSO.6S. 7474 (K)	SELF-LOCKING NUT M6
66	4198954	RACCORDO 6512 1/8"-8 S.R. (DIRITTO+OR)	QUICK UNION 6512 1/8" -8 S.R.



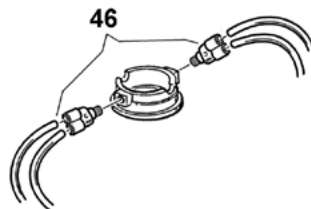
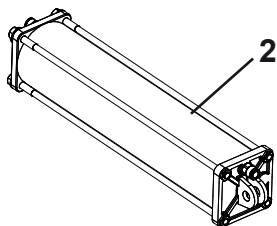
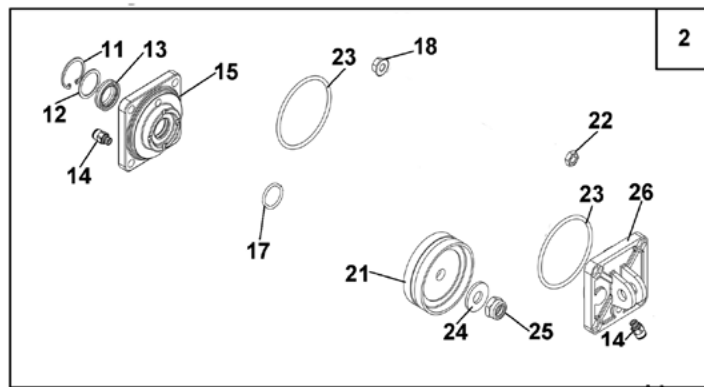
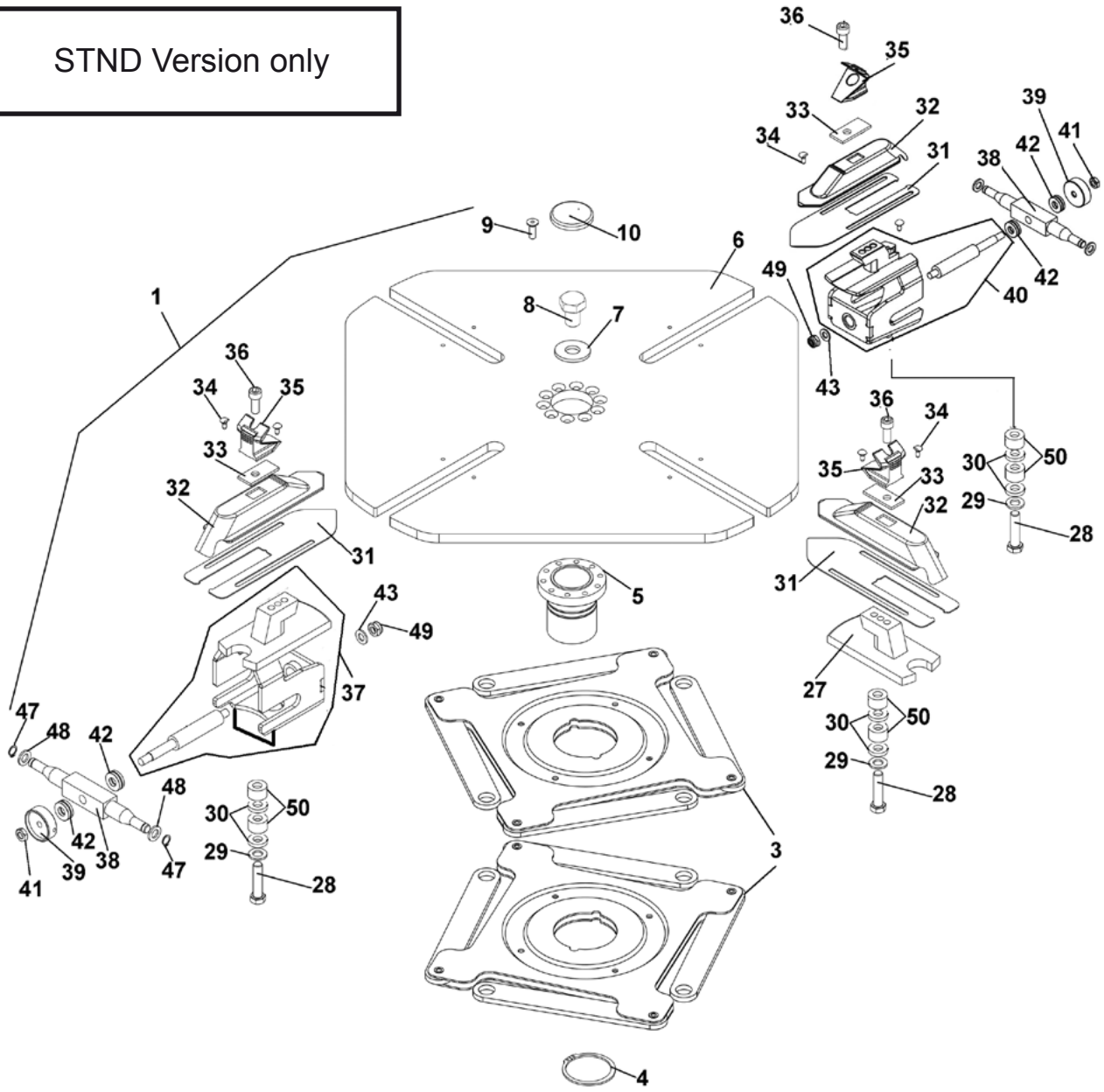


<b>Rif. Ref.</b>	<b>Codice Code</b>	<b>Descrizione</b>	<b>Description</b>
1	2036979	GR.BRACCIO ST.+P. S228	BEAD BREAKER ARM + SHOVEL
2	7037006	@BRACCIO STALLONATORE P. - NERO FONDO ZNT	BEAD BREAKING ARM
3	7035371	PALETTA STALLONATORE COMPL. - VERN FONDO ZNT	BEAD BREAKER SHOVEL - COMPLETE
4	3008990	@PERNO ORIENT. ASTA D.40 - CARBONITRURATO	PIVOT PIN D.40
5	4398178	ANELLO SEEGER E D.40 7435 (K)	SEEGER RING D.40
6	4397795	VITE TCEI M16x100 12.9 PF 5931	SCREW TCEI 16x100 12.9 ZNT 5931
7	4399963	DADO AUTOBL.M16 BASSO.6S. 7474 (K)	SELF-LOCKING NUT M16
8	2039827	GR.PERNO SNODO	ARTICULATED JOINT PIN UNIT
9	4292749	MANIGLIA A SCATTO KP-P 55 M8x25	HANDLE KP-P 55 M8X25
10	4399976	DADO M 8 6S ZNT 5588 (K)	NUT M8
11	3037013	PERNO ECCENTR. SNODO BRACCIO STALL. P. - ZNT B.	PIN HINGE ARM
12	7037009	SNODO BRACCIO STALLONATORE	BEAD BREAKER ARM JOINT
13	3037014	BOCCOLA ECCENTRICO - FOSFATAZIONE MANGANESE	ECCENTRIC BUSH
14	3037017	BLOCCHETTO SNODO P. - zinc.b.	JOINT BLOCK
15	4398899	MOLLA TAZZA 14,3x34x1,5 (K)	BELLEVILLE SPRING 14,3x34x1,5
16	4396941	DADO M14 6S BASSO ZNT 5589 (K)	NUT M14
17	4395247	VITE STEI 14x50 P.P UNI 5923 (K)	SCREW STEI 14x50 P.P UNI 5923
18	4399949	DADO AUTOBL.M14 BASSO.6S. 7474 (K)	SELF-LOCKING NUT M14
19	4292701	MOLLA GIALLA D.25X30	SPRING D.25x30
20	3037086	RONDELLA SPEC.STALL. ( 15X45X4 )	BEAD BREAKER SPECIAL WASHER
21	3037077	PERNO SNODO PALETTA S228 - ZNT B.	SHOVEL PIVOT PIN
22	4299952	POMOLO D.14	KNOB D.14
23	4397504	VITE TCEI M12x30 12.9 5931 (K)	SCREW 12x30
24	4399865	DADO AUTOBL.M12 BASSO.6S. 7474 (K)	SELF-LOCKING NUT M12
25	4398753	RONDELLA 12,5x30x3 ZNT. (S) (K)	WASHER D.12,5x30x3
26	3000114	MOLLA BRACCIO STALLONATORE	SPRING
28	2038119	LIMITATORE DI CORSA X PAL. STALL. S228	STROKE LIMITER
29	4399801	ANELLO SEEGER E D.25 7435 (K)	SEEGER RING D.25
30	3018453	AMMORTIZZ.X GHIERA FERMO STALL. 40X63X19	SHOCK ABSORBER
31	3038118	GHIERA FERMO STALLONATORE S228 - ZNT	BEAD BREAKER STOP RING
32	3037005	VITE FERMO STALLONATORE 228 GAE - ZNT B.	BEAD BREAKER SHOVEL STROKE ADJUSTING RING NUT
33	3033018	RISCONTRO SCORREVOLE - FOSFATAZ. MANGANESE	SLIDE
34	3033047	MOLLA POWER OUT	BEAD BREAKER STOP SPRING
35	4399964	VITE TCEI M 6x10 8.8 ZNT 5931 (K)	SCREW 6x10
36	4399378	RONDELLA 10 (10,5x21x2)ZNT6592 (K)	WASHER D.10 (10,5x21x2)
37	4399824	VITE TE 10x14 8.8 ZNT 5739 (K)	SCREW 10x14
38	3033017	GUIDA RISCONTRO SCORREVOLE - ZNT	SLIDE GUIDE
39	4299168	ANELLO OR 3081 D.20,29x2,62	O-RING 20,29x2,62
40	4398994	RONDELLA 10 (11x30x2,5)6593-C ZNT (K)	WASHER D.10 (11x30x2,5)
41	4398746	VITE TSPEI M 8x14 10.9 ZNT 5933	SCREW TSPEI M 8x14 10.9 ZNT 5933
42	4297585	ANELLO OR 4061 D.15,47x3,53	O-RING D.15,47x3,53
43	3033019	FERMO RISCONTRO - CARBONITRURATO	SLIDE STOP
44	9233104	KIT POWER OUT	POWER OUT KIT
45	4393205	VITE STEI 6x10 P.CONICA 5927 (K)	SCREW STEI 6x10 CONICAL 5927



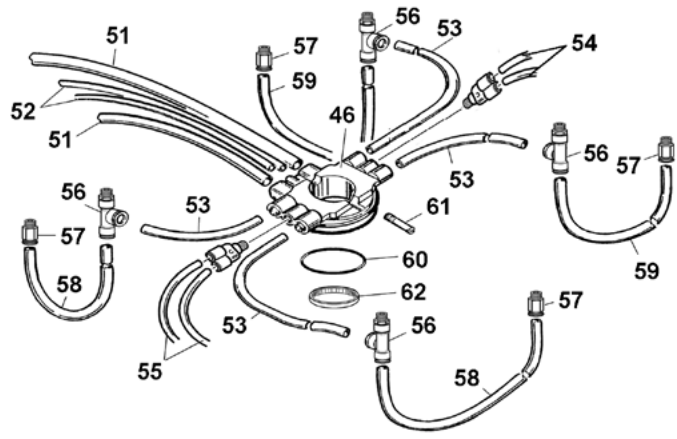
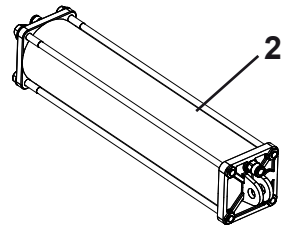
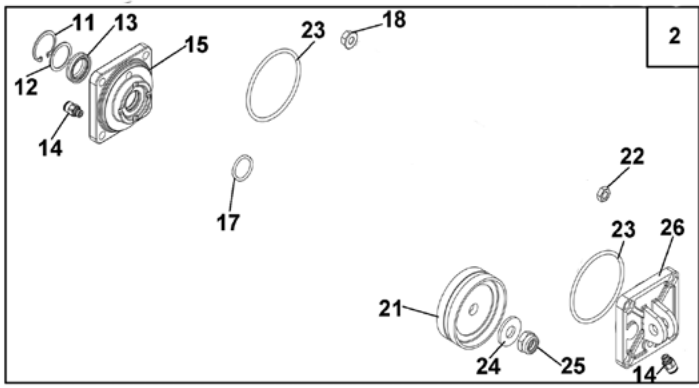
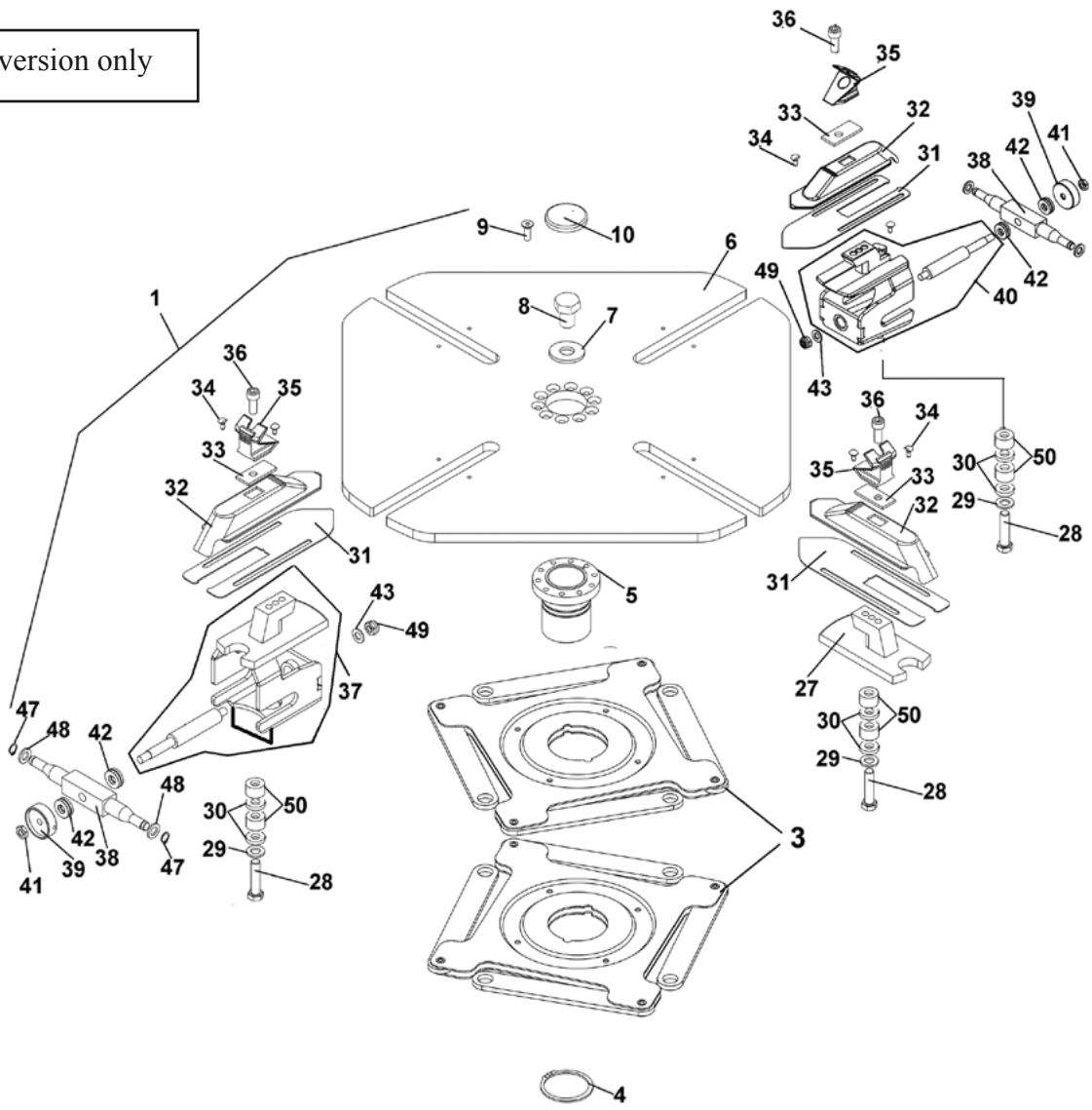
<b>Rif. Ref.</b>	<b>Codice Code</b>	<b>Descrizione</b>	<b>Description</b>
1B	2038743	CILINDRO STALLONATORE D.200 D.E. (8 TIRANTI)	BEAD BREAKER CYLINDER D.200
2	3009012	MOLLA A CLIPS	SPRING
3	4198808	SILENZIATORE 1/4" SPEC. D.24	SILENCER 1/4"
4	4199201	VALVOLA SCARICO RAPIDO 1/4"-METALLO	VALVE
8B	3038694	FLANGIA POSTERIORE CILINDRO - ZNT B.	CYLINDER REAR FLANGE
9	4398007	DADO FLANGIATO M6 ZNT DIN 6923 (K)	FLANGED NUT M6
11B	3038744	CAMICIA CILINDRO STALL. L=223	BEAD BREAKER CYLINDER LINER
12B	3038746	VITE PRIGIONIERO M8x1.25x250	THREADED ROD M8X1.25X250
13	3031738	ASTA CIL.STALL.S.E. D 200 L 423 (SHA)	BEAD BREAK.CYLINDER SHAFT
14	4394969	DADO M18x1,5 MEDIO 5588 ZNT (K)	NUT M18x1,5
15	4193622	GUARNIZIONE 198X180X12	SEAL 198X180X12
16	3035724	PISTONE ALU CILINDRO D.200 (197) L54	CYLINDER PISTON
17	4293448	ANELLO OR 4750 D.190,1X3,53	OR RING 4750 D.190,1X3,53
18	3038052	@BOCCOLA CILINDRO STALL. 12x16x9 - TEMPRATO	BEAD BREAKER CYLINDER BUSHING
19	3009017	@PERNO FULCRO CIL. STALL.	CYLINDER TRUNNION
20B	2138745	FLANGIA ANTERIORE CILINDRO D.200-ZNT B.	CYLINDER FRONT FLANGE
23	4298823	FASCIA DI GUIDA ASTA CILINDRO	NYLON GUIDE
24	4299168	ANELLO OR 3081 D.20,29x2,62	O-RING 20,29x2,62
25	3199601	ANELLO RASCH.BID.L7 NSW 20 30 6/CO	SCRAPER RING
26	4398146	RASAMENTO 24x30x1 (K)	STEEL SHIM 24x30x1
27	3199599	ANELLO SEEGER I D.30 JV (K)	SEEGER RING D.30
28	3031744	AMMORTIZZATORE D. 22x70x5	SHOCK ABSORBER D. 22x70x5
29	4192639	RACCORDO 6520 1/4"-8 (90°-GIR)	UNION 6520 1/4"-8 (90°-GIR.+ OR)
30	4199726	NIPPLO 1/4" ART.2500	NIPPLE 1/4"
31	2039162	@GR.VALVOLA SCARICO RAPIDO X CILINDRO HD	QUICK RELIEF VALVE FOR HD CYLINDER
32	4198883	RACCORDO S6500 1/4"-8 S.RAPIDO	QUICK UNION 1/4"

STND Version only



<b>Rif. Ref.</b>	<b>Codice Code</b>	<b>Descrizione</b>	<b>Description</b>
1	2039198	AUTOC. 2C S228 H STND 12-22" SP14 CON CAVALLOTTO PER FORO CENTRALE	2C TURNTABLE FOR S228 -STND 12-22" SP14
2	2033767	GR.CILINDRO AUT.20" INT.	20" TURNTABLE CYLINDER
3	2036483	FLANGIA AUTOCENTRANTE x DOPPIA GIOSTRA	FLANGE FOR DOUBLE TURNTABLE
4	4399932	ANELLO SEEGER E D.65 7435 (K)	SEEGER RING D.65
5	3036671	MOZZO FILETTATO +20 PIATTI AUTOC. - ZNT	THREADED HUB
6	3036520	PIATTO AUTOC. OTTAGONALE GAE NO GT SP.14-ZNT	OCTAGONAL "GAE" TURNTABLE
7	3009778	RONDELLA SPEC. D.16x46,9x13-ZNT	WASHER D.16x46,9x13
8	4395179	VITE TE 16x1,5x45 8.8 ZNT 5740 (K)	SCREW TE 16x1,5x45 8.8 5740
9	4399391	VITE TSPEI M 8x25 12.9 5933 (K)	SCREW TCEI 8x25 12.9 5933
10	3000062	PROTEZIONE CENTRALE PIATTO	PROTECTION
11	3199599	ANELLO SEEGER I D.30 JV (K)	SEEGER RING D.30
12	4398146	RASAMENTO 24x30x1 (K)	STEEL SHIM 24x30x1
13	3199601	ANELLO RASCH.BID.L7 NSW 20 30 6/CO	SCRAPER RING
14	4198954	RACCORDO 6512 1/8"-8 S.R. (DIRITTO+OR)	QUICK UNION 6512 1/8" -8 S.R.
15	3015024	FLANGIA ANTER.D.75-PRF	FLANGE
17	4299168	ANELLO OR 3081 D.20,29x2,62	O-RING 20,29x2,62
18	4397678	DADO FLANGIATO M8 ZNT DIN 6923 (K)	FLANGED NUT M8
21	4198856	PISTONE MONOBLOCCO TDUOP D.75	PISTON D.75
22	4399976	DADO M 8 6S ZNT 5588 (K)	NUT M8
23	4298822	ANELLO OR 842 D.68,26x3,53	O-RING D.68,26x3,53
24	4398753	RONDELLA 12,5x30x3 ZNT. (S) (K)	WASHER D.12,5x30x3
25	4399865	DADO AUTOBL.M12 BASSO.6S. 7474 (K)	SELF-LOCKING NUT M12
26	3015023	FLANGIA POSTER.D.75-PRF	FLANGE
27	2112878	GUIDA SCORR.22" UNIF.-FOSFATAZ. MANGANESE	SLIDING GUIDE 22"
28	4392980	VITE TE 12x1,25x50 8.8PF 5738 (grezza) (K)	SCREW 12x1,25x50
29	4398637	RONDELLA 12x21x2,5 UNI1750 ZNT (K)	WASHER D.12x21x2,5 UNI1750
30	3036391	DISTANZIALE BIELLA DOPPIA GIOSTRA	CONNECTING ROD SPACER
31	3036382	LAMA PROTEZIONE SCORREVOLE S234	SLIDE PROTECTION PLATE
32	3006255	SCORREVOLE UNIF. -ZNT B.	SLIDE
33	3006877	SPESSORE SCORR.UNIF. 3,5-ZNT.	SHIM
34	3015187	PERNO GUIDA SCORREV. ZINCATO	GUIDE PIN
35	3002297	GRIFFA BLOCCAGGIO MAGGIORATA	CLAMP
36	4398037	VITE TCEI M10x1,25x25 12.9 TF 5931 () (K)	SCREW 10x1,25x25
37	2039203	GR.GUIDA SCORREVOLE CAVALLOTTO + VITE	COMPLETE SLIDING GUIDE WITH BOLT+SCREW
38	3036426	PERNO GUIDA SCORREVOLE REGOLABILE - FOSFATAZ. MANGANESE	ADJUSTABLE GUIDE PIN
39	3036628	GHIERA REGOLAZIONE SCORREVOLE - zinc.b.	SLIDE ADJUSTING RING NUT
40	2039204	GR.GUIDA SCORREVOLE SENZA CAVALLOTTO + VITE	COMPLETE SLIDING GUIDE WITHOUT BOLT+SCREW
41	4399967	DADO M10 6S BASSO ZNT 5589 (K)	NUT M10
42	4293047	CUSCIN. REGGISPINTA A SFERE 51101	STEP BALL BEARING 51101
43	4395085	RONDELLA 10 (10,5x25x2)ZNT6592 (K)	WASHER 10 (10,5x25x2)
46	4292635	RACCORDO GIREVOLE "DOPPIO Y"	"DOUBLE Y" UNION
47	4399981	RONDELLA 12 (13x24x2,5)ZNT6592 (K)	WASHER 12 (13x24x2,5)
48	4399864	ANELLO SEEGER E D.12 7435 (K)	SEEGER RING D.12
49	4399971	DADO AUTOBL.M10 BASSO.6S. 7474 (K)	SELF-LOCKING NUT M10
50	3017302	BOCCOLA 12/18/6,5-CRBNTR 02/03 HRC55/60	FERRULE 12/18/6,5

GT version only



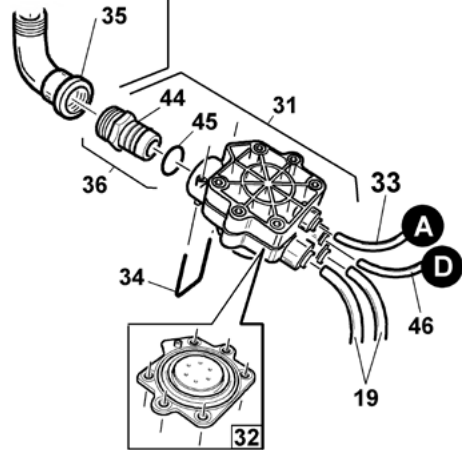
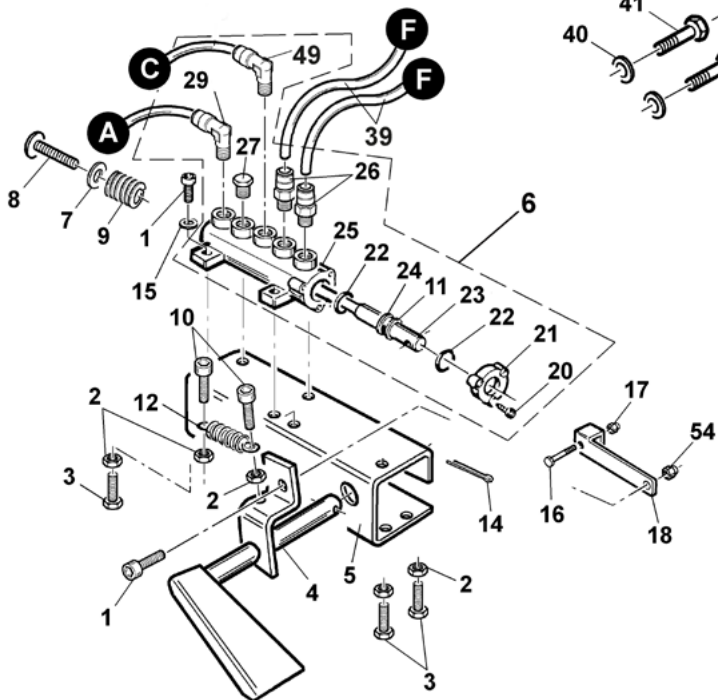
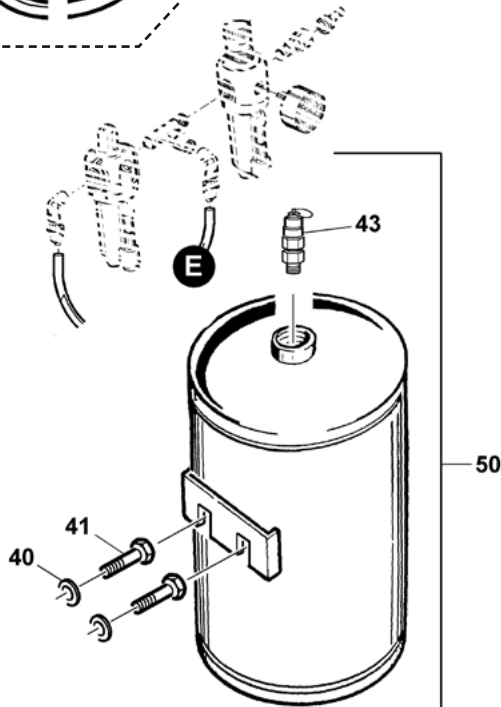
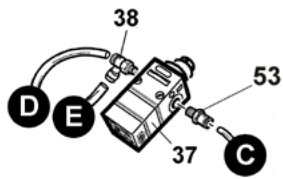
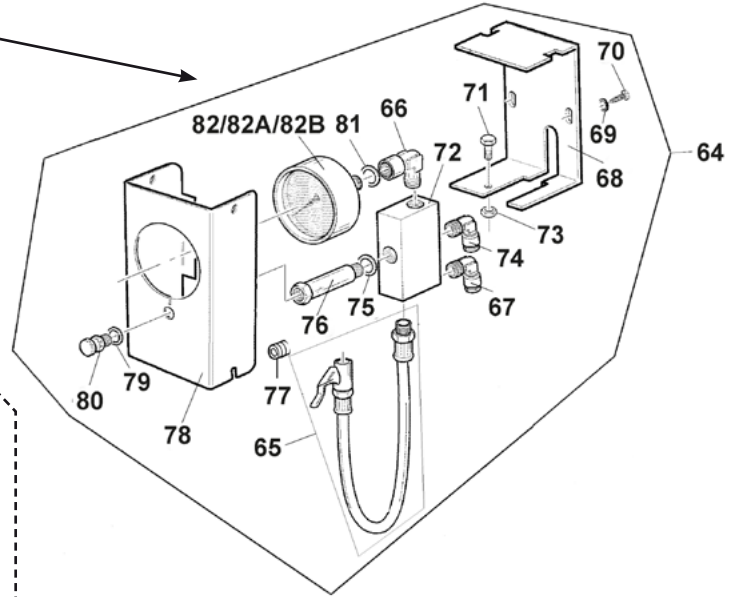
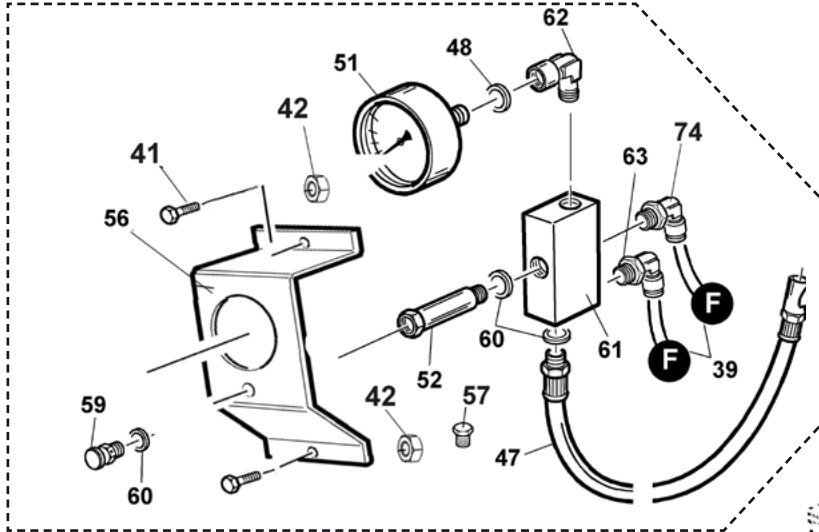
<b>Rif. Ref.</b>	<b>Codice Code</b>	<b>Descrizione</b>	<b>Description</b>
1	2039193	AUTOC. 2C S228 GT (VITONI + CAVALLOTTO) PER FORO CENTRALE	2C TURNTABLE FOR S228 GT
2	2033767	GR.CILINDRO AUT.20" INT.	20" TURNTABLE CYLINDER
3	2036483	FLANGIA AUTOCENTRANTE x DOPPIA GIOSTRA	FLANGE FOR DOUBLE TURNTABLE
4	4399932	ANELLO SEEGER E D.65 7435 (K)	SEEGER RING D.65
5	3036671	MOZZO FILETTATO +20 PIATTI AUTOC. - ZNT	THREADED HUB
6	3038905	PIATTO AUTOC. OTTAGONALE GAE GT SP.14-ZNT	GAE GT-ZNT SELF-CENTERING PLATE
7	3009778	RONDELLA SPEC. D.16x46,9x13-ZNT	WASHER D.16x46,9x13
8	4395179	VITE TE 16x1,5x45 8.8 ZNT 5740 (K)	SCREW TE 16x1,5x45 8.8 5740
9	4399391	VITE TSPEI M 8x25 12.9 5933 (K)	SCREW TCEI 8x25 12.9 5933
10	3000062	PROTEZIONE CENTRALE PIATTO	PROTECTION
11	3199599	ANELLO SEEGER I D.30 JV (K)	SEEGER RING D.30
12	4398146	RASAMENTO 24x30x1 (K)	STEEL SHIM 24x30x1
13	3199601	ANELLO RASCH.BID.L7 NSW 20 30 6/CO	SCRAPER RING
14	4198954	RACCORDO 6512 1/8"-8 S.R. (DIRITTO+OR)	QUICK UNION 6512 1/8" -8 S.R.
15	3015024	FLANGIA ANTER.D.75-PRF	FLANGE
17	4299168	ANELLO OR 3081 D.20,29x2,62	O-RING 20,29x2,62
18	4397678	DADO FLANGIATO M8 ZNT DIN 6923 (K)	FLANGED NUT M8
21	4198856	PISTONE MONOBLOCCO TDUOP D.75	PISTON D.75
22	4399976	DADO M 8 6S ZNT 5588 (K)	NUT M8
23	4298822	ANELLO OR 842 D.68,26x3,53	O-RING D.68,26x3,53
24	4398753	RONDELLA 12,5x30x3 ZNT. (S) (K)	WASHER D.12,5x30x3
25	4399865	DADO AUTOBL.M12 BASSO.6S. 7474 (K)	SELF-LOCKING NUT M12
26	3015023	FLANGIA POSTER.D.75-PRF	FLANGE
27	2112878	GUIDA SCORR.22" UNIF.-FOSFATAZ. MANGANESE	SLIDING GUIDE 22"
28	4392980	VITE TE 12x1,25x50 8.8PF 5738 (grezza) (K)	SCREW 12x1,25x50
29	4398637	RONDELLA 12x21x2,5 UNI1750 ZNT (K)	WASHER D.12x21x2,5 UNI1750
30	3036391	DISTANZIALE BIELLA DOPPIA GIOSTRA	CONNECTING ROD SPACER
31	3036382	LAMA PROTEZIONE SCORREVOLE S234	SLIDE PROTECTION PLATE
32	2107387	SCORREVOLE GT UNIF.-ZNT B.	GT SLIDE
33	3035956	SPESSORE SCORREVOLE 2 MM- FOSFATAZIONE MANGANESE	SLIDE SHIM - 2 MM
34	3015187	PERNO GUIDA SCORREV. ZINCATO	GUIDE PIN
35	3002297	GRIFFA BLOCCAGGIO MAGGIORATA	CLAMP
36	4398037	VITE TCEI M10x1,25x25 12.9 TF 5931 () (K)	SCREW 10x1,25x25
37	2039203	GR.GUIDA SCORREVOLE CAVALLOTTO + VITE	COMPLETE SLIDING GUIDE WITH BOLT+SCREW
38	3036426	PERNO GUIDA SCORREVOLE REGOLABILE - FOSFATAZ. MANGANESE	ADJUSTABLE GUIDE PIN
39	3036628	GHIERA REGOLAZIONE SCORREVOLE - zinc.b.	SLIDE ADJUSTING RING NUT
40	2039204	GR.GUIDA SCORREVOLE SENZA CAVALLOTTO + VITE	COMPLETE SLIDING GUIDE WITHOUT BOLT+SCREW
41	4399967	DADO M10 6S BASSO ZNT 5589 (K)	NUT M10
42	4293047	CUSCIN. REGGISPINTA A SFERE 51101	STEP BALL BEARING 51101
43	4395085	RONDELLA 10 (10,5x25x2)ZNT6592 (K)	WASHER 10 (10,5x25x2)
44	4196457	RACCORDO 6450 GIREV. 1/4"-8	UNION 6450 1/4"-8
45	4198954	RACCORDO 6512 1/8"-8 S.R. (DIRITTO+OR)	QUICK UNION 6512 1/8" -8 S.R.
46	4292638	RACCORDO GIREVOLE "DOPPIO Y" GT	""GT DOUBLE Y"" ROTATING UNION"
47	4399981	RONDELLA 12 (13x24x2,5)ZNT6592 (K)	WASHER 12 (13x24x2,5)
48	4399864	ANELLO SEEGER E D.12 7435 (K)	SEEGER RING D.12
49	4399971	DADO AUTOBL.M10 BASSO.6S. 7474 (K)	SELF-LOCKING NUT M10
50	3017302	BOCCOLA 12/18/6,5-CRBNTR 02/03 HRC55/60	FERRULE 12/18/6,5
51	3002109	TUBO RILSAN 14X11 L=1070	RILSAN HOSE 14x11 L=1070
52	3099335	TUBO ELASTOLAN D. 8X6 L=750	ELASTOLAN HOSE 8x6 L=750
53	3006477	TUBO POLIUR.10X6,5 L=335	POLYURETHAN HOSE 10x6,5 L=335
54	3002218	TUBO ELASTOLAN D. 8x6 L=420	HOSE 8x6 L=420
55	3039197	TUBO ELASTOLAN D. 8X6 L=270	ELASTOLAN HOSE D. 8X6 L=270
56	4197207	RACCORDO "T" 6420 10-1/8 CHIUSO (sp)	UNION TEE 1/8" 10-8
57	4198035	RACCORDO DRITTO 1/4"-10 A.112	UNION 1/4"
58	3039194	TUBO POLIUR.10X6,5 L=380	POLYUR.HOSE 10X6,5 L=380
59	3039195	TUBO POLIUR.10X6,5 L=400	POLYUR.HOSE 10X6,5 L=400
60	4297520	ANELLO OR 153 D.49,21x3,53	O-RING 153 D.49,21x3,53
61	3001996	VITE X RACC.GIREV.TUBL. (K)	SCREW
62	3008646	DISTANZ. X OR GT (D.55 x 1,5)	O-RING SPACER (D.55x1,5)



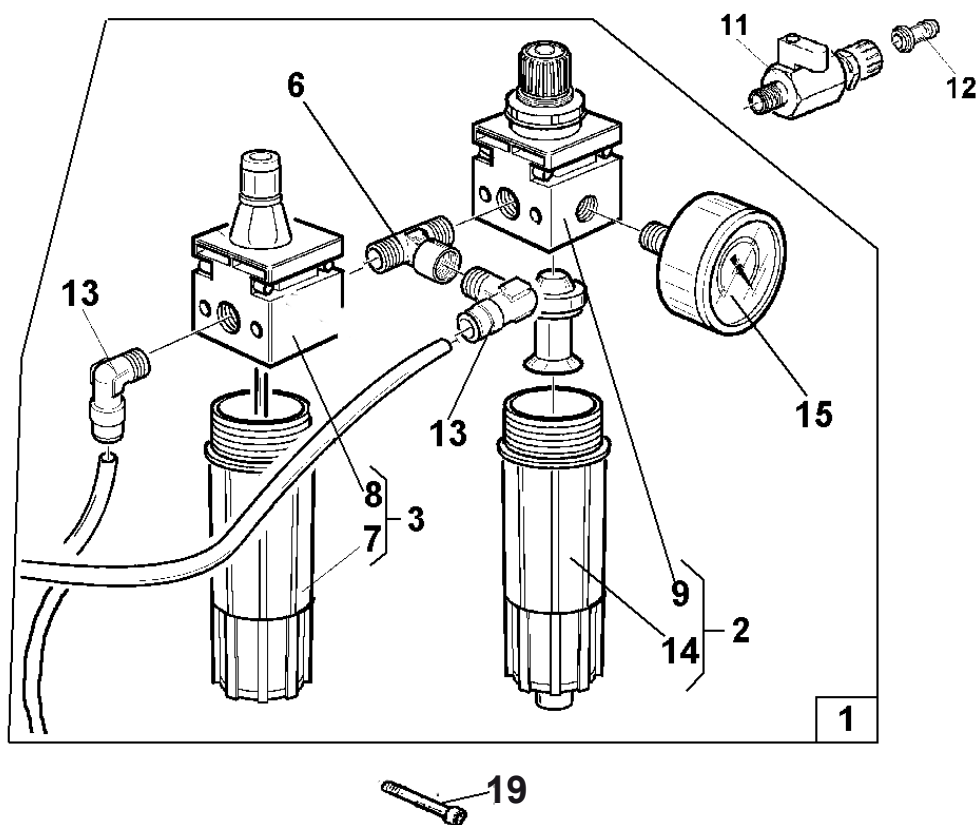
GT version

PRO DUO and STND versions only

Pro version only

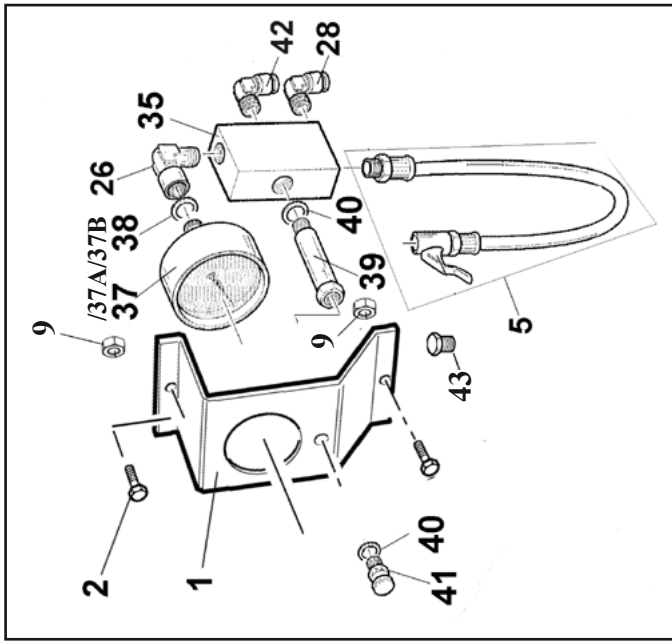


<b>Rif. Ref.</b>	<b>Codice Code</b>	<b>Descrizione</b>	<b>Description</b>
1	4399890	VITE TCEI M 6x20 8.8 ZNT 5931 (K)	SCREW 6x20
2	4399889	DADO M 6 6S ZNT 5588 (K)	NUT M6
3	4399892	VITE TE 6x20 8.8 ZNT 5739 (S) (K)	SCREW 6x20
4	2110288	PEDALINO GT -ZINCATO B.	GT PEDAL
5	3010287	SUPPORTO PEDAL. GT-ZINCATO B.	PEDAL SUPPORT
6	2016738	GR.VALVOLA GT+LETTURA	GT VALVE UNIT + READOUT
7	3008005	SUPP. VITE FINE CORSA-ZINC.B.	SUPPORT
8	4398890	BULL. TTLQS 6x40 4.6 ZNT 5732	BOLT 6x40 4.6
9	4298942	MOLLA VERDE CL d. 20X25	SPRING D.20x25
10	4399999	VITE TCEI M 6x25 8.8 ZNT 5931 (K)	SCREW 6x25
11	4399893	DADO AUTOBL.M 6 BASSO.6S. 7474 (K)	SELF-LOCKING NUT M6
12	3000141	MOLLA RITORNO PEDALE	PEDAL RETURN SPRING
14	4399100	COPIGLIA D.3,2X30 ZNT 1336	SPLIT PIN D.3,2x30
15	4399998	RONDELLA 6 (6,4x12x1,6)ZNT6592 (K)	WASHER 6 (6,4x12x1,6)
16	4399897	VITE TE 4x25 8.8 PF ZNT 5737 (K)	SCREW 4x25
17	4399895	DADO AUTOBL.M 4 BASSO.6S. 7474 (K)	SELF-LOCKING NUT M4
18	3001853	LEVETTA COMANDO VALVOLA -ZNT (c)	VALVE CONTROL LEVER
19	3002109	TUBO RILSAN 14X11 L=1070	RILSAN HOSE 14x11 L=1070
20	4398999	VITE AUTOF.TCIC 3,5x13 AB6954 ZNT (K)	SELF-TAPPING SCREW 3,5x13
21	3001585	FLANGIA X VALVOLA 3001583	FLANGE
22	4299000	ANELLO OR 9,8x3,85	O-RING 9,8x3,85
23	3016737	ASTA VALVOLA PNEU.GT+LETTURA	GT PNEUM. VALVE SHAFT
24	3001584	DISTANZIALE X VALVOLA 3001583	SPACER
25	3001583	VALVOLA DISTRIB.-SENZA CHIAVET	DISTRIBUTION VALVE
26	4198954	RACCORDO 6512 1/8"-8 S.R. (DIRITTO+OR)	QUICK UNION 6512 1/8" -8 S.R.
27	4199161	TAPPO MASCHIO 2611 1/8"	1/8" PLUG
29	4199098	RACCORDO S6500 1/8" 6-4 S.RAPID	QUICK UNION 1/8" 6-4
31	2017491	GR.VALVOLA PNEUM. 1" COMPL.	PNEUM. VALVE UNIT 1"
32	2017495	MEMBRANA VALVOLA SOFFIAGGIO	VALVE DIAPHRAGM
33	3002110	TUBO ELASTOLAN 6X4 L=580	ELASTOLAN HOSE 6x4 L=580
34	3017494	FORCELLA A "U"	U-FORK
35	4194765	CURVA 90° 1"Z M/F CORTA-ZNT N.	90° M/F 1" UNION
36	2017906	GR.RACC.1" 2 OR X VALV.GT	QUICK UNION
37	4197027	RIPETIT.PRESS.1/4 - 4 +/-0,2 bar	PRESSURE REPEATER 1/4"
38	4199888	RACCORDO "T" 6440 1/8"-8/6 A.112	UNION TEE 1/8"
39	3037756	TUBO BINATO 8x5,5 L=1550	HOSE 8x5,5 L=1650
40	4398848	RONDELLA 6 (6,6x18x1,5)ZNT6593 (K)	WASHER 6 (6,6x18x1,5)
41	4398723	VITE TE 6x12 8.8 ZNT 5739 (K)	SCREW 6x12
42	4399889	DADO M 6 6S ZNT 5588 (K)	NUT M6
43	4198703	VALV.SIC.1/4"0/11 INAMOV.+ANELLO	SAFETY VALVE 1/4"
44	3017573	RACCORDO INNESTO RAPIDO 1"-BRUN.	QUICK UNION
45	4294755	ANELLO OR 2100 D.25,12x1,78	O-RING 2100 D.25,12x1,78
46	3099336	TUBO ELASTOLAN D. 8X6 L=540	HOSE 8x6 L=540
47	2008872	GR.TUBO CENTR. GT L=1400	GT UNIT HOSE L=1400
48	4299000	ANELLO OR 9,8x3,85	O-RING 9,8x3,85
49	4198954	RACCORDO 6512 1/8"-8 S.R. (DIRITTO+OR)	QUICK UNION 6512 1/8" -8 S.R.
50	2012485	GR.SERBATOIO ARIA CE STND (MONTATO)	AIR TANK
51	4299069	MANOMETRO CE D.80 SCALA 1-10 BAR - ATT.1/4" POST.	EC PRESSURE GAUGE D.80 1-10 BAR
51/A	4198070	MANOMET.D.80 600KPA-6BAR-85PSI	PRESSURE GAUGE D.80 600KPA-6BAR-85PSI
51/B	3015120	MANOMETRO D.80 1200KPA-170PSI DOPPIA SCALA BAR-PSI	PRESSURE GAUGE D.80 1200KPA DOUBLE SCALE BAR/PSI
52	4198670	COLONNETTA 2525 1/4" H=43	STUD BOLT 1/4" H=43
53	4198884	RACCORDO S6510 1/4"-8 S.R.	QUICK UNION 1/4"
54	4399893	DADO AUTOBL.M 6 BASSO.6S. 7474 (K)	SELF-LOCKING NUT M6
56	6635733	LAMIERA MANOMETRO X PORTA OGGETTI - VERN NERO B.	MANOMETER SUPPORTING PLATE FOR TOOLS HOLDER
57	4199485	TAPPO MASCHIO E100 1/4" CONICO	MALE PLUG
59	4299354	PULSANTE DI SCARICO	DEFLATION BUTTON
60	4399256	ROND. RAME 1/4" (13x19x1,5) (K)	COPPER WASHER 1/4" D.13x19x1,5
61	3016655	BLOCCHETTO ALL. 5 VIE F1/4"	5WAYS DISTRIBUTOR
62	4198908	RACCORDO 2020 1/4" F/M	UNION 1/4"
63	4198883	RACCORDO S6500 1/4"-8 S.RAPIDO	QUICK UNION 1/4"
64	2016741	CENTRALINA PNEUM.GT+LETTURA CE-REV	GT PNEUM. CONTROL UNIT+READOUT CE
65	2008872	GR.TUBO CENTR. GT L=1400	GT UNIT HOSE L=1400
66	4198908	RACCORDO 2020 1/4" F/M	UNION 1/4"
67	4198883	RACCORDO S6500 1/4"-8 S.RAPIDO	QUICK UNION 1/4"
68	6615109	LAMIERA POSTER.GT- VERN NERO B	GT BACK COVER SHEET - BLACK
69	4399903	RONDELLA 4 (4,5x12x1,5)ZNT6593 (K)	WASHER 4 (4,5x12x1,5)
70	4398945	VITE AUTOPERF. TCB 4x12,6 ZNT (4,2 X 13) (K)	SELF-TAPPING SCREW 4x12,6
71	4399946	VITE TE 8x16 8.8 ZNT 5739 (K)	SCREW 8x16
72	3016655	BLOCCHETTO ALL. 5 VIE F1/4"	5WAYS DISTRIBUTOR
73	4399976	DADO M 8 6S ZNT 5588 (K)	NUT M8
74	4198578	RACCORDO 6521 1/4"-8/6 S01 GIREV. (sp)	ROTATING UNION 1/4" 8-6
75	4399256	ROND. RAME 1/4" (13x19x1,5) (K)	COPPER WASHER 1/4" D.13x19x1,5
76	4198670	COLONNETTA 2525 1/4" H=43	STUD BOLT 1/4" H=43
77	4199485	TAPPO MASCHIO E100 1/4" CONICO	MALE PLUG
78	6615108	LAMIERA ANTER.GT- VERN NERO B.	GT FRONT COVER SHEET - BLACK
79	4399256	ROND. RAME 1/4" (13x19x1,5) (K)	COPPER WASHER 1/4" D.13x19x1,5
80	4299354	PULSANTE DI SCARICO	DEFLATION BUTTON
81	4299000	ANELLO OR 9,8x3,85	O-RING 9,8x3,85
82	4299069	MANOMETRO CE D.80 SCALA 1-10 BAR - ATT.1/4" POST.	EC PRESSURE GAUGE D.80 1-10 BAR
82A	3015120	MANOMETRO D.80 1200KPA-170PSI DOPPIA SCALA BAR-PSI	PRESSURE GAUGE D.80 1200KPA DOUBLE SCALE BAR/PSI
82B	4198070	MANOMET.D.80 600KPA-6BAR-85PSI	PRESSURE GAUGE D.80 600KPA-6BAR-85PSI

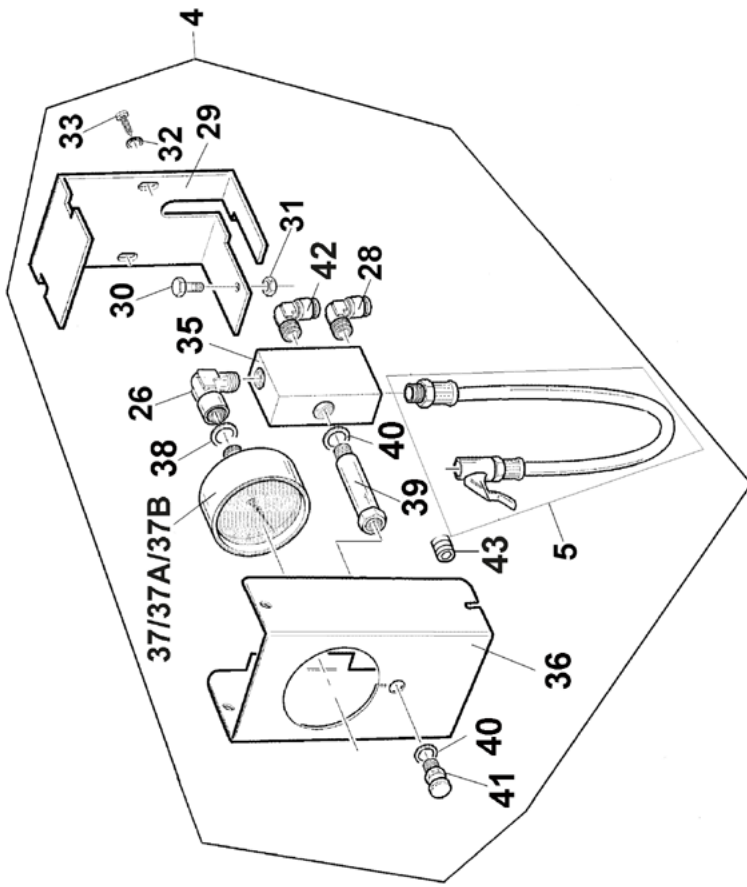
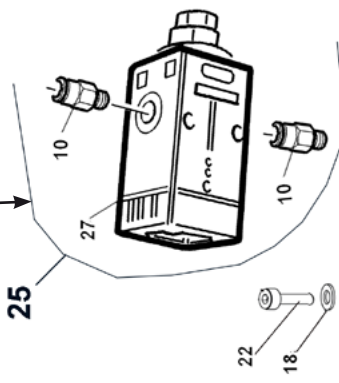


<b>Rif. Ref.</b>	<b>Codice Code</b>	<b>Descrizione</b>	<b>Descrizione</b>
1	2012307	GR.LUBRIF.+F.R. NEW TYPE	LUBRICATOR+FILTER REGULATOR
2	4196480	FILTRO REG. 1/4" +MAN 0-16-FR 14M SILVER	FILTER
3	4196481	LUBRIFIC.1/4"(PLAST.)-L 14M SILVER	LUBRICATOR
6	4198973	RACCORDO 2090 1/4" MFM	UNION 1/4"
7	4196316	TAZZA LUBRIFICATORE NEW TYPE	LUBRICATOR CUP
8	4196315	CORPO LUBRIFICATORE NEW TYPE	LUBRICATOR BODY
9	4196313	CORPO FILTRO-REGOL. NEW TYPE	FILTER-REGULATOR
11	4196354	VALVOLA MVS 2901 DF 1/4"	VALVE MVS 2901 DF 1/4"
12	4199987	ATTACCO RESCA ART.017 D.8	UNION
13	4198883	RACCORDO S6500 1/4"-8 S.RAPIDO	QUICK UNION 1/4"
14	4196314	TAZZA FIL.REG. NEW TYPE SC.AUT	FILTER CUP
15	4198071	MANOMETRO D.40 0-25BAR/PSI/KPA	PRESSURE GAUGE D.40
19	4396593	VITE TCEI M 4x40 PF 8.8 ZNT 5931 (K)	SCREW 4x40

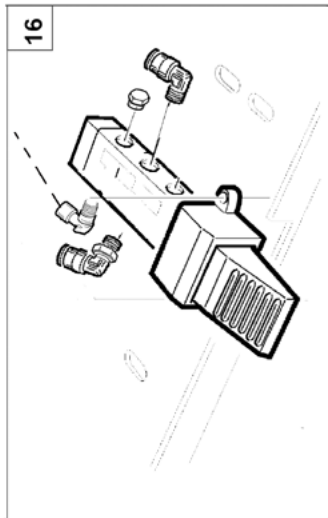
PRO version only



NOT AVAILABLE FOR GT VERSION

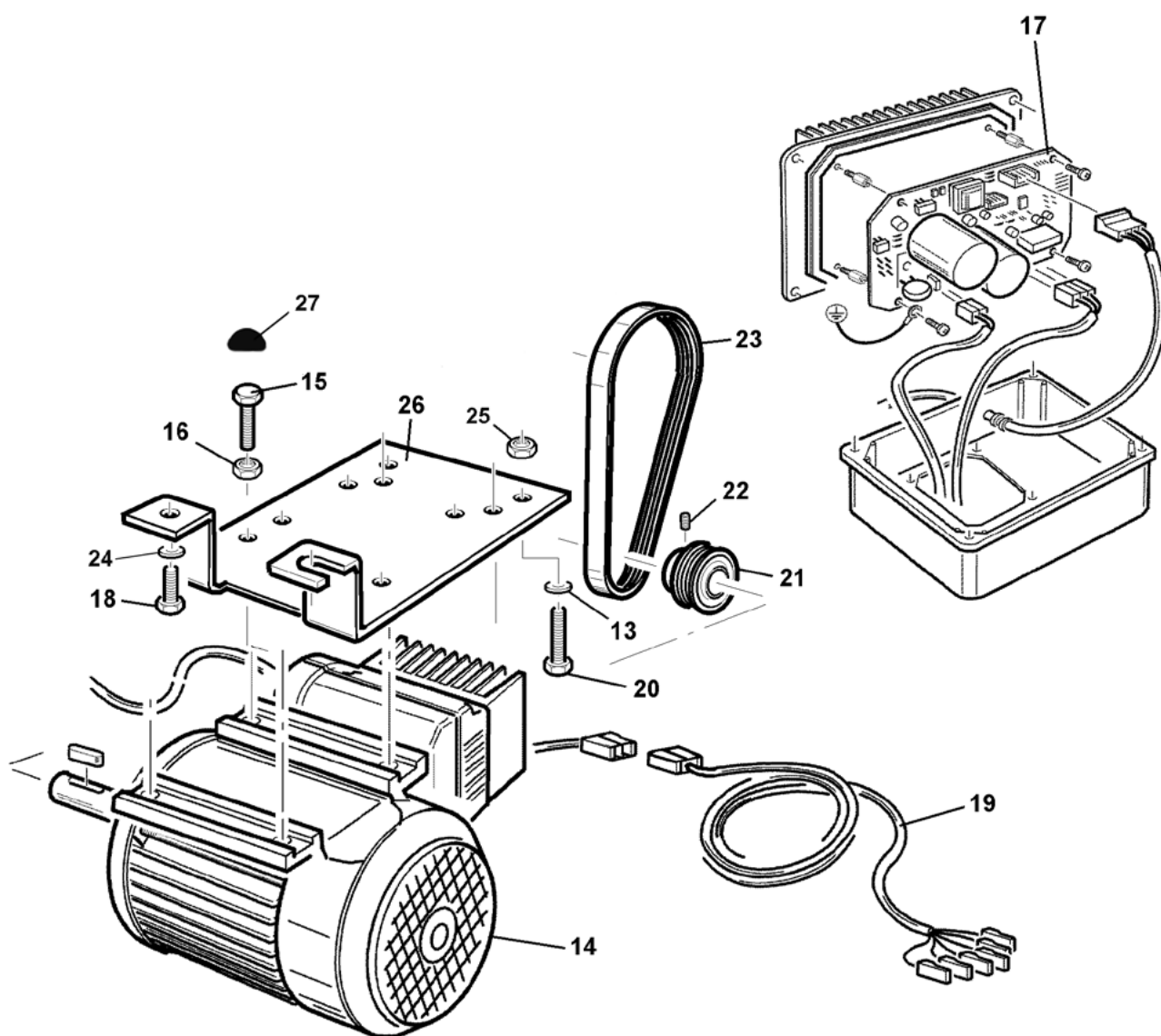


PRO DUO and STND versions only

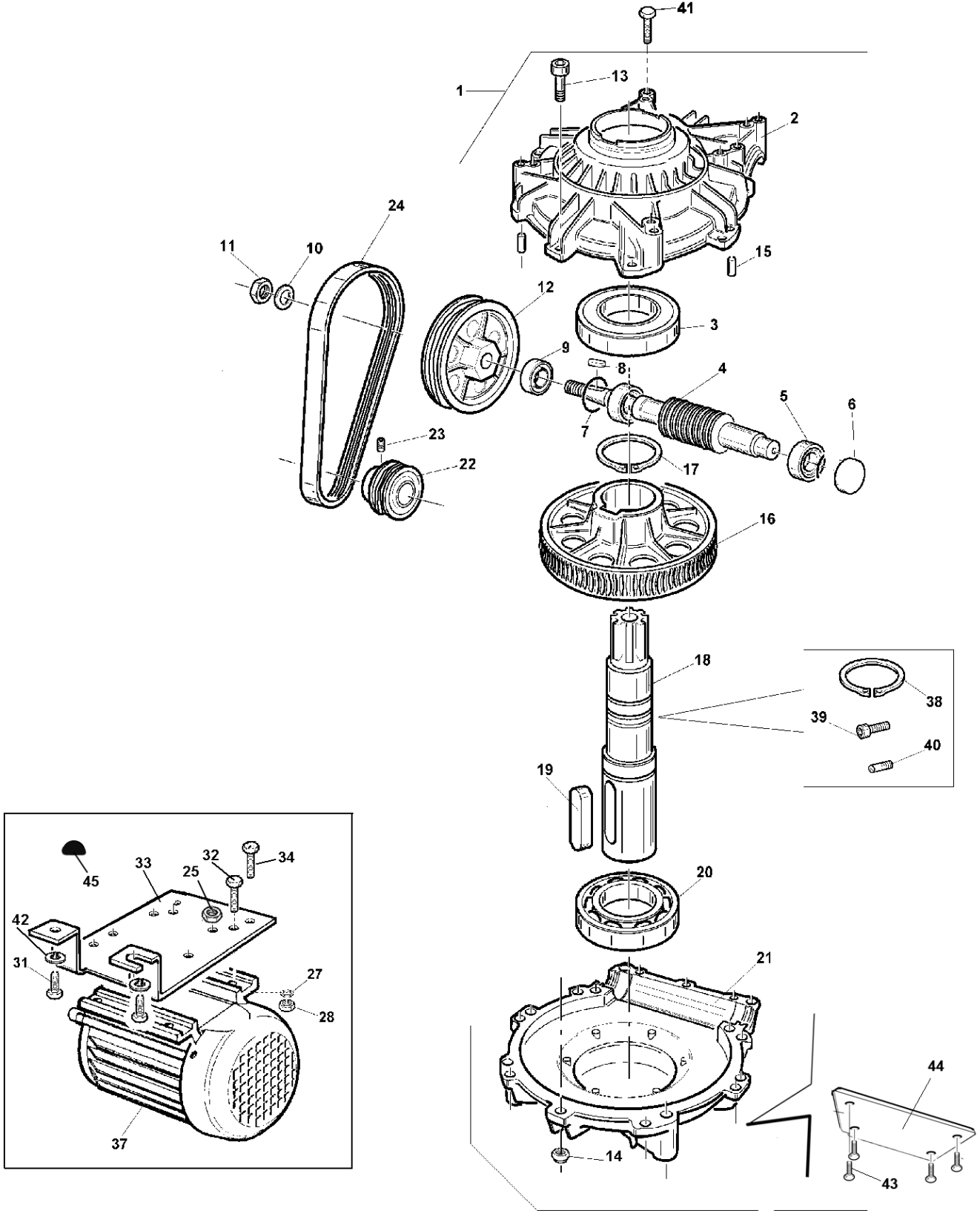


<b>Rif. Ref.</b>	<b>Codice Code</b>	<b>Descrizione</b>	<b>Description</b>
1	6635733	LAMIERA MANOMETRO X PORTA OGGETTI - VERN NERO B.	MANOMETER SUPPORTING PLATE FOR TOOLS HOLDER
2	4398723	VITE TE 6x12 8.8 ZNT 5739 (K)	SCREW 6x12
4	2016741	CENTRALINA PNEUM.GT+LETTURA CE-REV	GT PNEUM. CONTROL UNIT+READOUT CE
5	2008872	GR.TUBO CENTR. GT L=1400	GT UNIT HOSE L=1400
9	4399889	DADO M 6 6S ZNT 5588 (K)	NUT M6
10	4198884	RACCORDO S6510 1/4"-8 S.R.	QUICK UNION 1/4"
16	2041324	GR. PEDALE GONFIAGGIO FORCE 1200 - A RI-CAMBIO	INFLATING PEDAL
17	4399893	DADO AUTOBL.M 6 BASSO.6S. 7474 (K)	SELF-LOCKING NUT M6
18	4399998	RONDELLA 6 (6,4x12x1,6)ZNT6592 (K)	WASHER 6 (6,4x12x1,6)
22	4399999	VITE TCEI M 6x25 8.8 ZNT 5931 (K)	SCREW 6x25
25	2031214	GR. REGOLATORE DI PRESSIONE 4.2	PRESSURE REGULATOR 4.2
26	4198908	RACCORDO 2020 1/4" F/M	UNION 1/4"
27	4197027	RIPETIT.PRESS.1/4 - 4 +/-0,2 bar	PRESSURE REPEATER 1/4"
28	4198883	RACCORDO S6500 1/4"-8 S.RAPIDO	QUICK UNION 1/4"
29	6615109	LAMIERA POSTER.GT- VERN NERO B.	GT BACK COVER SHEET - BLACK
30	4399946	VITE TE 8x16 8.8 ZNT 5739 (K)	SCREW 8x16
31	4399976	DADO M 8 6S ZNT 5588 (K)	NUT M8
32	4399903	RONDELLA 4 (4,5x12x1,5)ZNT6593 (K)	WASHER 4 (4,5x12x1,5)
33	4398945	VITE AUTOPERF. TCB 4x12,6 ZNT (4,2 X 13) (K)	SELF-TAPPING SCREW 4x12,6
35	3016655	BLOCCHETTO ALL. 5 VIE F1/4"	5WAYS DISTRIBUTOR
36	6615108	LAMIERA ANTER.GT- VERN NERO B.	GT FRONT COVER SHEET - BLACK
37	4299069	MANOMETRO CE D.80 SCALA 1-10 BAR - ATT.1/4" POST.	EC PRESSURE GAUGE D.80 1-10 BAR
37A	3015120	MANOMETRO D.80 1200KPA-170PSI DOPPIA SCALA BAR-PSI	PRESSURE GAUGE D.80 1200KPA DOUBLE SCALE BAR/PSI
37B	4198070	MANOMET.D.80 600KPA-6BAR-85PSI	PRESSURE GAUGE D.80 600KPA-6BAR-85PSI
38	4299000	ANELLO OR 9,8x3,85	O-RING 9,8x3,85
39	4198670	COLONNETTA 2525 1/4" H=43	STUD BOLT 1/4" H=43
40	4399256	ROND. RAME 1/4" (13x19x1,5) (K)	COPPER WASHER 1/4" D.13x19x1,5
41	4299354	PULSANTE DI SCARICO	DEFLATION BUTTON
42	4198578	RACCORDO 6521 1/4"-8/6 S01 GIREV. (sp)	ROTATING UNION 1/4" 8-6
43	4199485	TAPPO MASCHIO E100 1/4" CONICO	MALE PLUG

# Gruppo motore 1PH Inverter - 1PH Inverter Motor unit



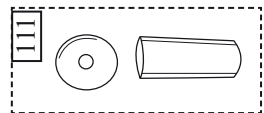
<b>Rif. Ref.</b>	<b>Codice Code</b>	<b>Descrizione</b>	<b>Description</b>
13	4398848	RONDELLA 6 (6,6x18x1,5)ZNT6593 (K)	WASHER 6 (6,6x18x1,5)
14	4592868	MOTOINV. 200/240 1PH 50/60HZ 0,75KW B3 (p)	INVERTER MOTOR 200/240 1PH 50/60HZ 0,75KW B3 (p)
15	4399951	VITE TE 10x35 8.8 ZNT 5739 (K)	SCREW 10x35
16	4399967	DADO M10 6S BASSO ZNT 5589 (K)	NUT M10
17	4592817	SCHEDA MOTOINVERTER SMTG AUTO 4VEL.	MOTOINVERTER BOARD - 4SPEED CAR T.C.
18	4399228	VITE TE 10x25 10.9 ZNT 5739 (K)	SCREW 10x25
19	2037840	CAVO SEGNALE MANDRINO CROSSAGE 2 VEL.	CHUCK SIGNAL CABLE - CROSSAGE 2SPEED
20	4394955	VITE TE 6X25 8.8 ZNT 5739 (K)	SCREW TE 6X25 8.8 ZNT 5739
21	3019468	PULEGGIA MOTOINVERTER MANDRINO Q. D.37	CHUCK PULLEY D.37
22	4392760	VITE STEI 5x14 P.COPPA 5929 (K)	SCREW STEI 5x14 - 5929
23	4296813	CINGHIA PV 610 J6	BELT PV 610 J6
24	4398662	ROND.GROWER D.10 (10,5x17,5x2,2) ZNT 1751 (K)	GROWER WASHER D.10
25	4399889	DADO M 6 6S ZNT 5588 (K)	NUT M6
26	3000149	SUPPORTO MOTORE - ZNT BIANCO	MOTOR SUPPORT
27	3000164	PUNTALE PER TENDICINGHIA	SHOE



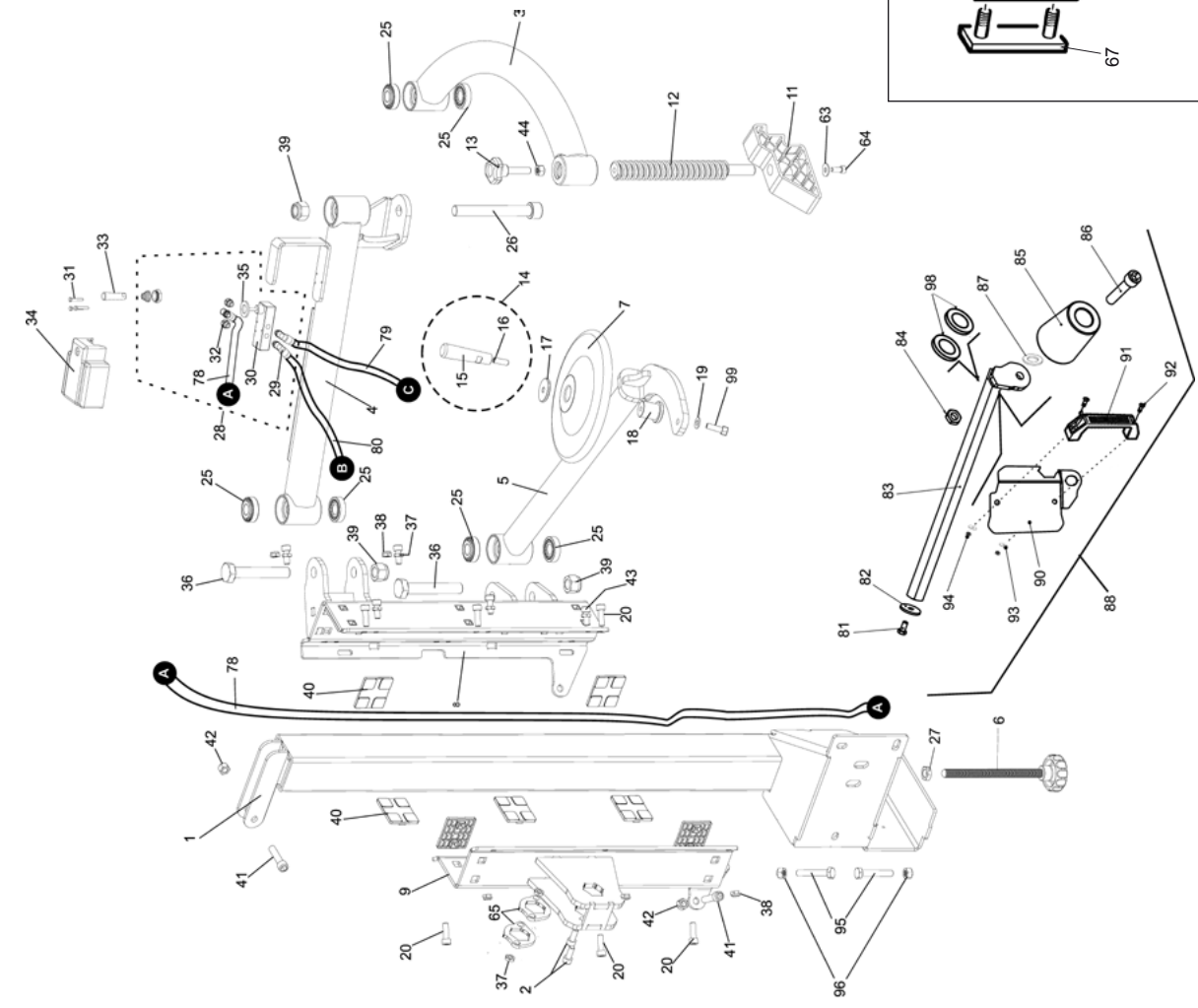
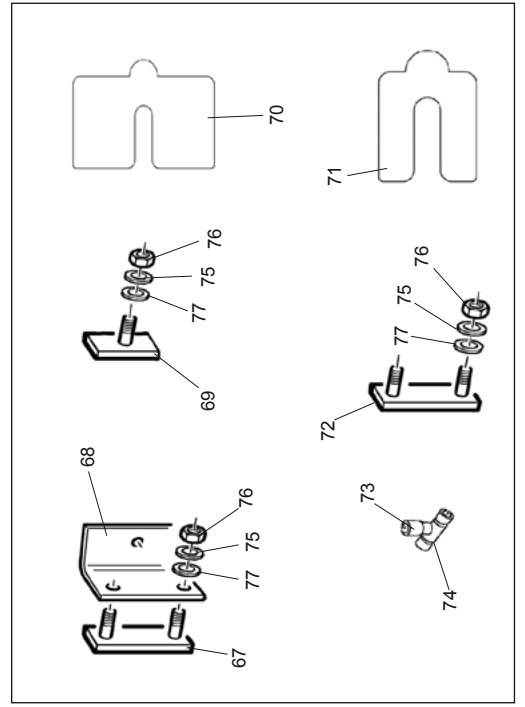
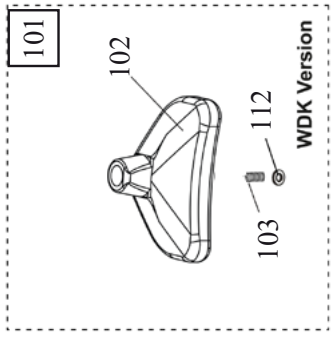
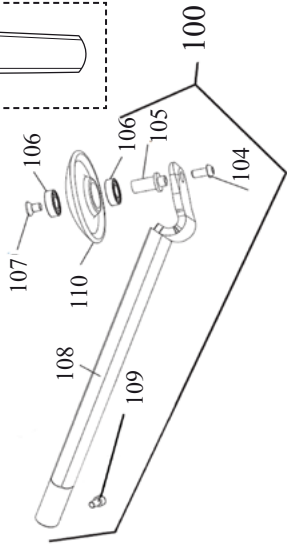


<b>Rif. Ref.</b>	<b>Codice Code</b>	<b>Descrizione</b>	<b>Description</b>
1	2010900	GR. RIDUTT. SMTG AUTO COMPL.	REDUCTION GEAR
2	3010872	SCATOLA SUPER. RIDUTT.	REDUCTION GEAR BOX
3	4296945	CUSCINETTO 6212 2RS 60x110x22	BEARING 60X110X22
4	3010883	VITE SENZA FINE RID.SMTG AUTO	CAR TYRE CHANGE RED. GEAR WORM
5	4296944	CUSCINETTO RULLI CONICI 30204	BEARING
6	3017760	COPERCHIETTO TENUTA IN GOMMA	SEALING COVER
7	4294205	GUARNIZIONE FT D.40X35X4 NBR 75	SEAL D.40X35X4 NBR 75
8	4396947	LINGUETTA 6x6x18 (A) 6604 (K)	TAB 6X6X18
9	4296942	ANELLO TENUTA RID. 20x35x10	SEALING RING 20x35x10
10	4398807	RONDELLA 14 (15x28x2,5)ZNT6592 (K)	WASHER 14 (15x28x2,5)
11	4396941	DADO M14 6S BASSO ZNT 5589 (K)	NUT M14
12	3010863	PULEGGIA RIDUTT. SMTG AUTO-PV	GEARBOX PULLEY
13	4399134	VITE TCEI M 8x30 8.8 ZNT 5931 (K)	SCREW 8x30
14	4399900	DADO AUTOBL.M 8 BASSO 6.S 7474 (K)	SELF-LOCKING NUT M8- LOW.6S. 7474
15	4396940	SPINA CIL.RETT. 8x20 6364A (K)	PARALLEL PIN 8x20
16	3010884	RUOTA ELICOIDALE RID. ALU -FINITA	HELICAL GEAR
17	4396946	ANELLO SEEGER E D.60x3 7436	SEEGER RING D.60X3
18	3010885	PERNO PER RUOTA ELICOID.	PIN
19	4396948	LINGUETTA 16x10x70 (A) 6604	TAB 16X10X70
20	4296910	CUSCINETTO 6212 60x110x22	BEARING 60X110X22
21	3010873	SCATOLA INFER. RIDUTT.	BOX
22	3010864	PULEGGIA MOTORE SMTG AUTO	MOTOR PULLEY
23	4399922	VITE STEI 8x14 P.CIL. 5925 (K)	SCREW 8x14 5925
24	4296813	CINGHIA PV 610 J6	BELT PV 610 J6
25	4399967	DADO M10 6S BASSO ZNT 5589 (K)	NUT M10
27	4399829	RONDELLA 8 (8,4x16x1,5)ZNT6592 (K)	WASHER 8 (8,4x16x1,5)
28	4399976	DADO M 8 6S ZNT 5588 (K)	NUT M8
30	4398662	ROND.GROWER D.10 (10,5x17,5x2,2) ZNT 1751 (K)	GROWER WASHER D.10
31	4399228	VITE TE 10x25 10.9 ZNT 5739 (K)	SCREW 10x25
32	4399935	VITE TE 8x25 8.8 ZNT 5739 (K)	SCREW 8X25
33	3000149	SUPPORTO MOTORE - ZNT BIANCO	MOTOR SUPPORT
34	4399951	VITE TE 10x35 8.8 ZNT 5739 (K)	SCREW 10x35
37	4594034	MOT.3PH 200/230V 50/60HZ 2-4 POLI (S)	MOTOR 3PH 200/230V 50/60HZ 2-4 POLES
37A	4598919	MOT.3PH 400V 50HZ KW 0,75/1,125 B3	2v. MOT. 3PH 400V 50HZ KW 0,75/1,125
37B	4595016	MOT.1PH HP1,2 240V.50Hz B3	MOTOR 1PH HP1,2 240V.50Hz
38	4396700	ANELLO SEEGER E D.50x2 7435 (K)	SEEGER RING D.50
39	4399964	VITE TCEI M 6x10 8.8 ZNT 5931 (K)	SCREW 6x10
40	3001996	VITE X RACC.GIREV.TUBL. (K)	SCREW
41	4399933	VITE TE 10x50 8.8 PF ZNT 5737 (S) (K)	SCREW 10x50
42	4398662	ROND.GROWER D.10 (10,5x17,5x2,2) ZNT 1751 (K)	GROWER WASHER D.10
43	4399120	VITE TSPEI M10x20 10.9 ZNT 5933 (K)	SCREW TSPEI M10x20 10.9 ZNT 5933
44	3036098	ORECCHIA ATTACCO NERVATURA - zinc.b.	COUPLING TAB
45	3000164	PUNTALE PER TENDICINGHIA	SHOE

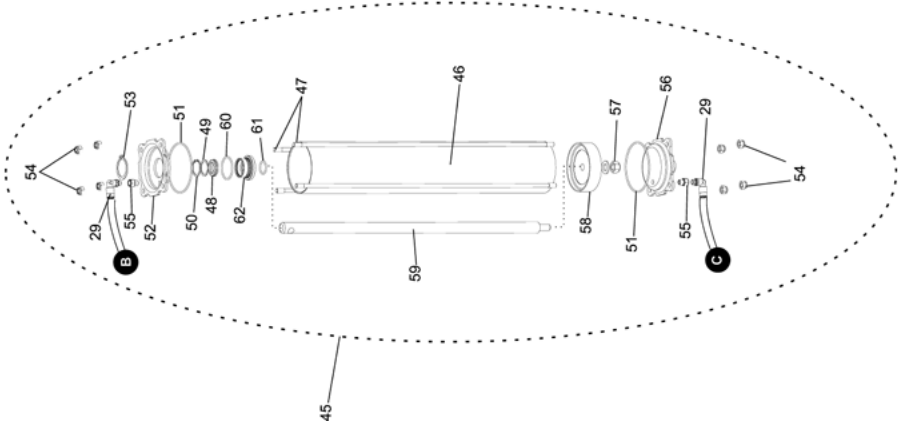
WDK Version only



WDK Version only

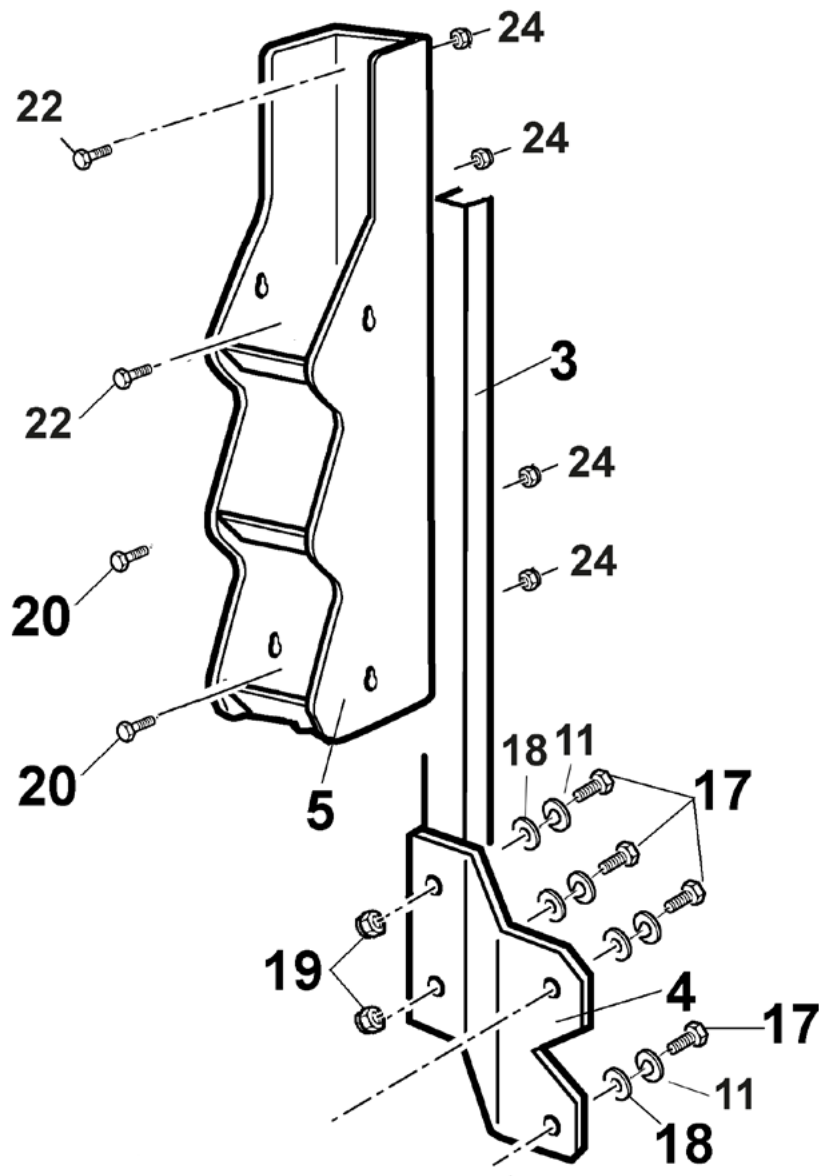


Pro Version only



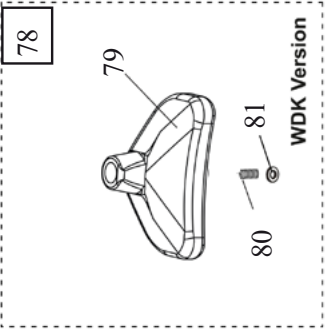
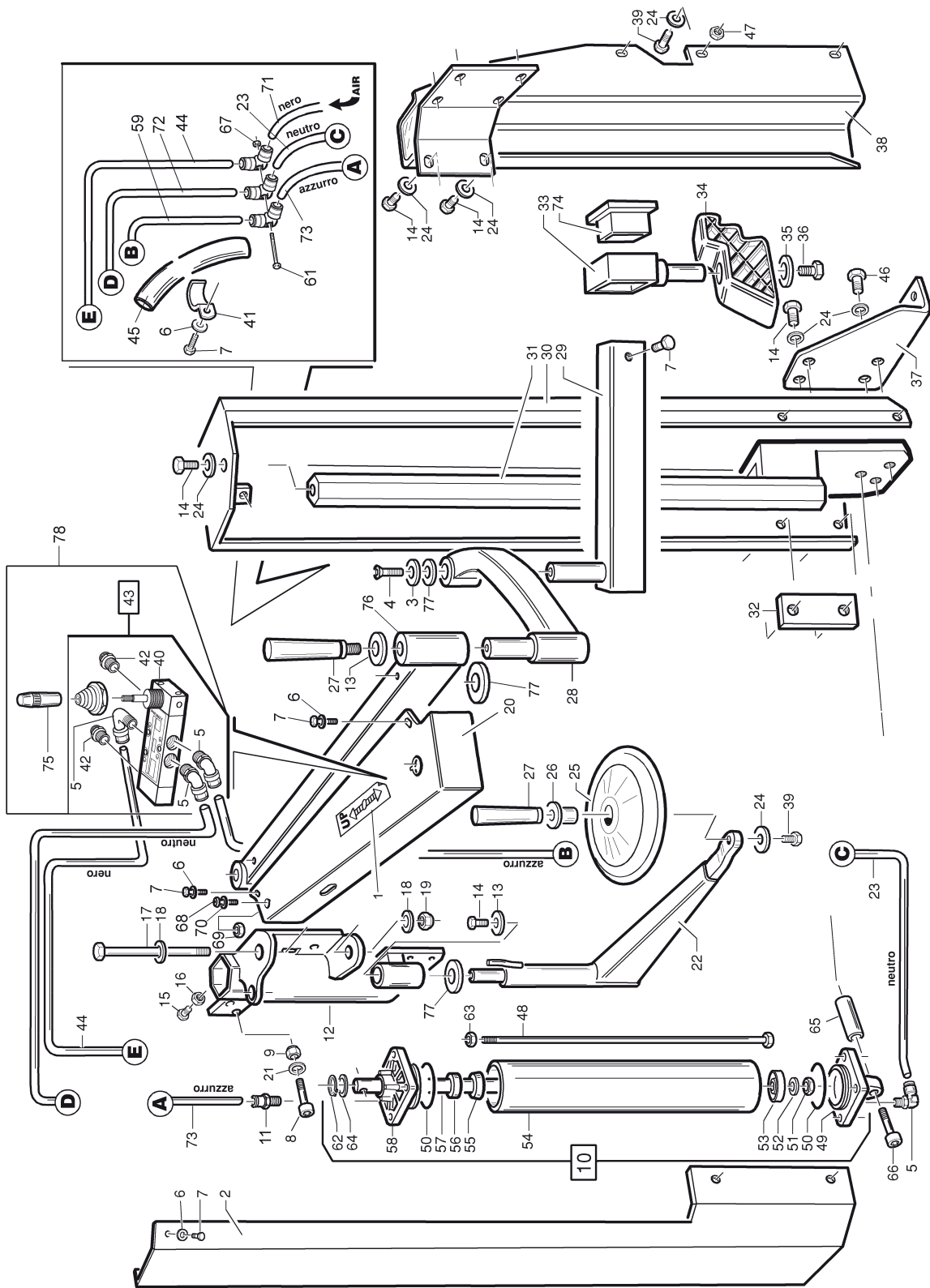
<b>Rif. Ref.</b>	<b>Codice Code</b>	<b>Descrizione</b>	<b>Description</b>
1	7019610	BASE HP2-SABB.+VERN.FONDO ZNT NERO	HP2 BASE FRAME
3	7019749	BRACCIO SUP. CURVO D.60 HP2 - NERO	CURVE ARM D.60 HP2 – BLACK
4	7019750	BRACCIO DRITTO D.60 HP2	STRAIGHT ARM D.60
5	7019751	BRACCIO DISCO HP2 INFERIORE - NERO	ARM
6	2036341	VOLANTINO M16 L=280	HAND WHEEL M16 L=280
7	3006886	DISCO STALLONATORE	BEAD BREAKING DISK
8	7019617	CARRELLO ESTERNO HP2	OUTER CARRIAGE
9	7019621	CARRELLO INTERNO HP2 - VERN NERO FONDO ZNT	INNER CARRIAGE - BLACK 9011
11	3017440	PREMITALLONE HP2	BEAD PRESSING TOOL
12	3019748	VITE TAMPONE HP2	HP2 SCREW
13	4293924	VOLANTINO THP D.50 M12 L=50	HAND WHEEL THP D.50 M12 L=50
14	2012683	GR.IMPUGNATURA+VITE STEI M10	HANDLE+SCREW
15	3010283	IMPUGNATURA D.25 M10 ZINC. B.	HANDLE D.25 M10
16	4398284	VITE STEI 10x30 P.P. 5923 (K)	SCREW 10x30 5923
17	4395669	RONDELLA 10 (11x40x2,5)ZNT6592	WASHER 10 (11x40x2,5)
18	3006862	PERNO SUP.DISCO ST.BRUNITO	DISK PIN
19	4399378	RONDELLA 10 (10,5x21x2)ZNT6592 (K)	WASHER D.10 (10,5x21x2)
20	4393900	VITE TCEI M10x30 8.8 ZNT 5931 (K)	SCREW TCEI 10x30 8.8 ZNT 5931
25	4296944	CUSCINETTO RULLI CONICI 30204	BEARING
26	4393274	VITE TCEI M20x180 12.9 5931	SCREW TCEI M20x180 12.9 5931
27	4393548	DADO M16 ALTO GREZZO - 5587	NUT M16 HIGH ROUGH - 5587
28	2006996	GR.VALVOLA HELP-PRESS ARM	VALVE UNIT FOR HELP & PRESS ARM
29	4198618	RACCORDO 6522 1/8"-6 (90°-GIR.+ OR)	UNION 1/8"
30	4198285	VALVOLA 5 VIE CENTRI CHIUSI 368-905 (p)	5-WAY VALVE
31	4399898	VITE TE 4x30 8.8 PF ZNT 5737 (K)	SCREW 4x30
32	4199610	SILENZIATORE 1 SFE 1/8" OTTONE C/RETE	SILENCER 1/8"
33	3010284	POMOLO D.14x45 FORO M5 ZNT	KNOB D.14X45 M5
34	3019779	CARENATURA ABS HP2 NERO	ABS FRAME
35	4399828	RONDELLA 16 (17x30x3) ZNT 6592 (K)	WASHER 16 (17x30x3)
36	4393899	VITE TE 20X120 8.8 P.F.ZNT5737 (K)	SCREW TE 20X120 8.8 P.F. ZNT 5737
37	4399967	DADO M10 6S BASSO ZNT 5589 (K)	NUT M10
38	4399971	DADO AUTOBL.M10 BASSO.6S. 7474 (K)	SELF-LOCKING NUT M10
39	4394164	DADO AUTOBL.M20 BASSO H.20 7474/DIN	SELF-LOCKING NUT M20 LOW H.20 7474
40	3019627	PATTINO HP 2	SLIDING BLOCK
41	3000599	PERNO X CROC. M12 L=50 TCEI (12.9)	PIN M12 L=50
42	4399865	DADO AUTOBL.M12 BASSO.6S. 7474 (K)	SELF-LOCKING NUT M12
43	4393900	VITE TCEI M10x30 8.8 ZNT 5931 (K)	SCREW TCEI 10x30 8.8 ZNT 5931
44	4395556	DADO M12 MEDIO ZNT 5588	NUT M12
45	2034900	GR. CILINDRO D.90 HP 2	CYLINDER UNIT D.90 HP 2
46	3034909	CAMICIA CILINDRO Ø90 HP2 TESTATE LAVORATE	UPPER CYLINDER LINER D.90 HP2
47	3019631	VITE SPECIALE TE M8x543 ZNT B.	SPECIAL SCREW TE M8x543
48	3199601	ANELLO RASCH.BID.L7 NSW 20 30 6/CO	SCRAPER RING
49	4398146	RASAMENTO 24x30x1 (K)	STEEL SHIM 24x30x1
50	3199599	ANELLO SEEGER I D.30 JV (K)	SEEGER RING D.30
51	4293965	ANELLO OR 3325 82,22X2,62	ORING 3325 82,22X2,62
52	3034901	TESTATA ANT CIL HP2 Ø90 LAVORATA DAL PIATTO 100x12 - ZNT	CYLINDER TOP END CAP
53	4394721	ANELLO SEEGER E D.36 7435 (K)	SEEGER RING D.36 7435
54	4399900	DADO AUTOBL.M 8 BASSO 6.S 7474 (K)	SELF-LOCKING NUT M8- LOW.6S. 7474
55	4198921	COLONNETTA 2525 M/F 1/8" H=16	STUD BOLT 1/8" H=16
56	2134902	FLANGIA POSTERIORE CIL. D.90-ZNT	CYLINDER BOTTOM END CAP D.90

Rif. Ref.	Codice Code	Descrizione	Description
57	4399865	DADO AUTOBL.M12 BASSO.6S. 7474 (K)	SELF-LOCKING NUT M12
58	4193964	PISTONE MONOBLOCCO TDUOP D.90	PISTON D.90
59	3034910	VITE SPECIALE M8X1.25	CYLINDER ROD
60	4294713	ANELLO OR 3150 37,77x2,62	ORING 3150 37,77x2,62
61	4299168	ANELLO OR 3081 D.20,29x2,62	O-RING 20,29x2,62
62	3017346	BOCCOLA GUARNIZIONI	SEALS BUSH
63	4399863	RONDELLA 8 (9x24x2) ZNT 6593 (K)	WASHER 8 (9x24x2)
64	4399954	VITE TCEI M 8x20 8.8 ZNT 5931 (K)	SCREW 8x20
65	3019932	PIASTR.ESAG.RIPRESA GIOCO - ZNT	HEX. PLATE
67	2110301	CAVALLOTTO FISS. H3 S113-FOSFAT.MANGANESE	U BOLT
68	2119832	STAFFA SUP.POST.HP2 - NERO	SUPPORT PLATE
69	2108784	VITE ANTIROTAZIONE H.3--FOSFAT.MANGANESE	ANTIROTATION SCREW H.3
70	3019834	SPESSORE POSTERIORE HP2 - BRUNIT.	BACK SPACER
71	3019833	SPESSORE ANTERIORE HP2 - BRUNIT.	FRONT SPACER
72	2108782	CAVALLOTTO FISSAGGIO H.3--FOSFAT.MANGANESE	U BOLT
73	4198172	RACCORDO 6463 1/8"-6	UNION 1/8"
74	4198778	RACCORDO 6410 1/8"-8 S.RAPIDO	QUICK UNION 1/8"
75	4398662	ROND.GROWER D.10 (10,5x17,5x2,2) ZNT 1751 (K)	GROWER WASHER D.10
76	4399969	DADO M10 6S ALTO ZNT 5587 (K)	NUT M10
77	4399378	RONDELLA 10 (10,5x21x2)ZNT6592 (K)	WASHER D.10 (10,5x21x2)
78	3019760	TUBO ELASTOLAN 6X4 NERO L=3000	ELASTOLAN HOSE 6X4 BLACK L=3000
79	3019759	TUBO ELASTOLAN 6X4 AZZURRO L=1450	ELASTOLAN HOSE 6X4 BLUE L=1450
80	3019758	TUBO ELASTOLAN 6X4 NEUTRO L=1050	ELASTOLAN HOSE 6X4 WHITE L=1050
81	4399966	VITE TE 10x20 8.8 ZNT 5739 (S) (K)	SCREW 10x20
82	3002311	RONDELLA D.10,5x45x4 -ZINCATA	WASHER D.10,5x45x4
83	2130632	BRACCIO ESAG.SUPP.RULLO HP2 - VERNICIATO	HP2 ROLLER SUPPORT HEXAG.ARM
84	4399810	DADO M20 6S BASSO ZNT 5589 (K)	NUT M20
85	3008433	RULLO ST.D.100 L120 NYLON NERO	ROLLER D.102 L=120
86	4397454	VITE TCEI M20x90 8.8 ZNT 5931 (S) (K)	SCREW 20x90
87	4399813	RONDELLA 20 (21x37x3) ZNT 6592 (K)	WASHER 20 (21x37x3)
88	2030671	GR. BRACCIO RULLO X HP 2	ROLLER ARM UNIT X HP2
90	7031224	LAMIERA SUPPORTO MANIGLIA - NERO FONDO ZNT	HANDLE SUPPORT PLATE
91	4297851	MANIGLIA A PONTE ABS PICCOLA	HANDLE
92	4399954	VITE TCEI M 8x20 8.8 ZNT 5931 (K)	SCREW 8x20
93	4399829	RONDELLA 8 (8,4x16x1,5)ZNT6592 (K)	WASHER 8 (8,4x16x1,5)
94	4399900	DADO AUTOBL.M 8 BASSO 6.S 7474 (K)	SELF-LOCKING NUT M8- LOW.6S. 7474
95	4393500	VITE TE 12x60 8.8 TF ZNT 5739	SCREW 12x60 8.8 TF ZNT 5739
96	4398657	DADO M12 BASSO ZNT 5589 (K)	NUT M12
98	3002601	AMMORTIZ. TORRETTA ES.41	MOUNTING TOOL SHOCK ABSORBER
99	4399228	VITE TE 10x25 10.9 ZNT 5739 (K)	SCREW 10x25
100	2030670	GR. BRACCIO DISCO X HP 2	DISC ARM UNIT X HP2
101	2043889	GR.TAMPONE WDK (SHA) + BOCCOLA	BEAD PRESSING TOOL + BUSH
102	3043888	TAMPONE WDK (SHA) -LAV.	WDK BEAD-PRESSING TOOL
103	3043921	BOCCOLA PREMITALLONE WDK - ZINC. B.	WDK BEAD PRESSING TOOL BUSH
104	4395235	VITE TBEI M12x25 10.9 ZNT 7380 (K)	SCREW TBEI 12x25 10.9
105	3019734	PERNO ATTACCO DISCO - FOSF. MANGANESE	DISC PIN
106	4294264	CUSCINETTO 6004 2RS 20-42-12	BALL BEARING 6004 2RS 20-42-12
107	4397615	VITE TSPEI M12X25 10.9 ZNT 5933 (K)	SCREW TSPEI M12X25 10.9 ZNT 5933
108	2119731	BRACCIO ESAG.SUPP.DISCO COMP. - VERNICIATO NERO FONDO ZNT	DISC HOLD ARM
109	4398414	VITE TCEI M10x16 8.8 ZNT 5931	SCREW 10x16
110	3006886	DISCO STALLONATORE	BEAD BREAKING DISK
111	2036145	GR. LIMITATORE CORSA PREMITALLONE WDK - UHP HP2	WDK BEAD PRESSING TOOL STROKE LIMITER - UHP HP2
112	4392027	RONDELLA 10x22x2 ZNT6592	WASHER 10x22x2 ZNT6592



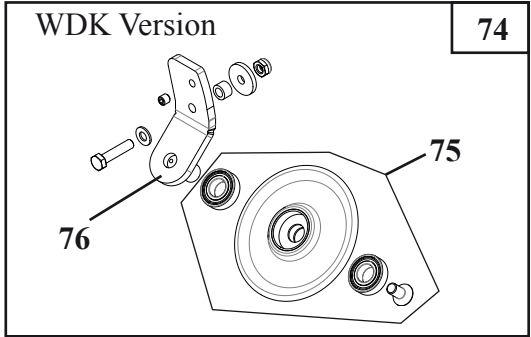
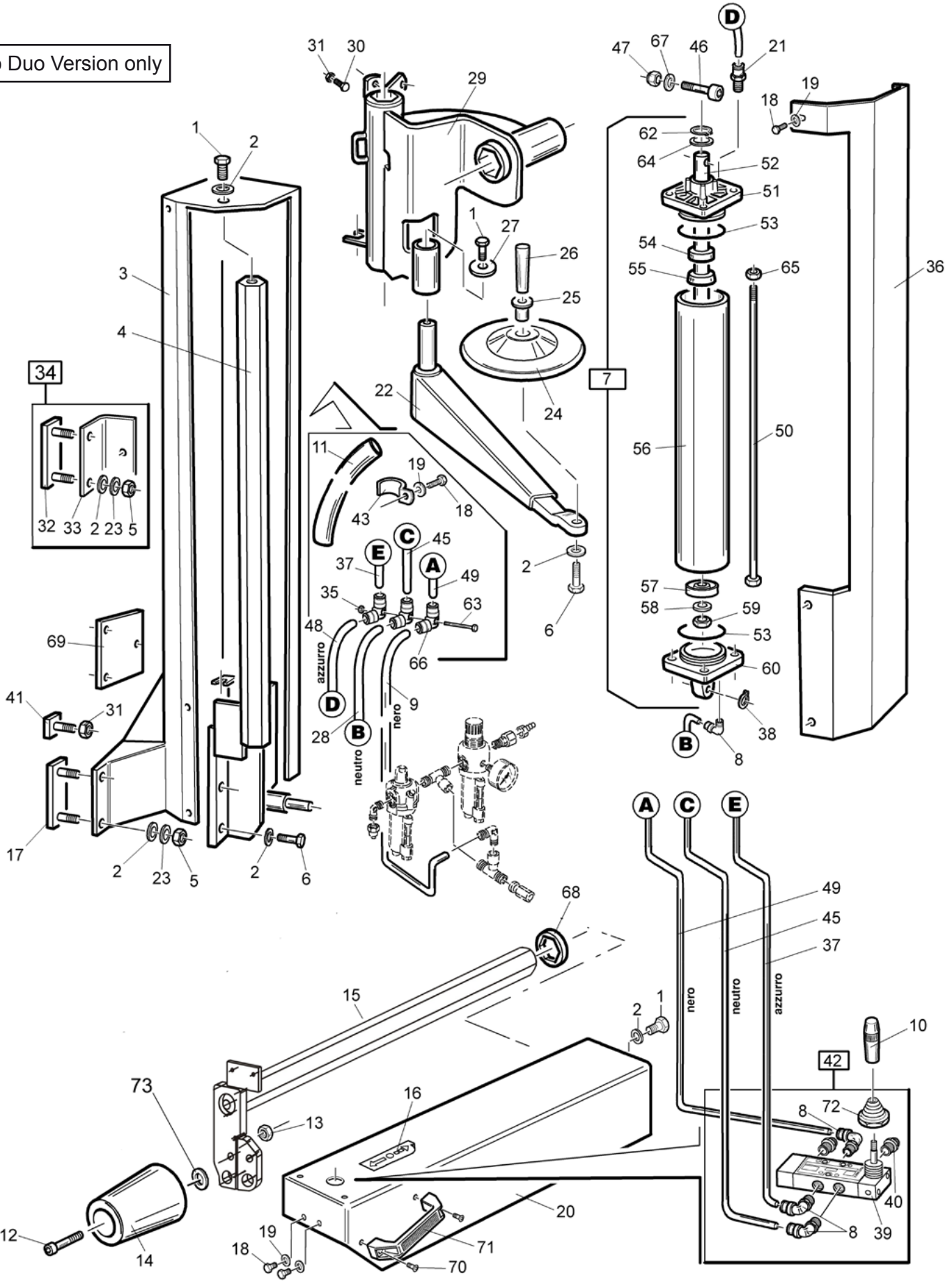
<b>Rif. Ref.</b>	<b>Codice Code</b>	<b>Descrizione</b>	<b>Description</b>
3	6635750	COLONNA PORTA OGGETTI - VERN NERO B.	STORAGE BOX HOLDING COLUMN
4	6635751	PIASTRA FISSAGGIO COLONNA PORTA OGGETTI - VERN NERO B.	COLUMN FIXING PLATE
5	6635732	SCATOLA PORTA OGGETTI - VERN NERO B.	STORAGE BOX
11	4398662	ROND.GROWER D.10 (10,5x17,5x2,2) ZNT 1751 (K)	GROWER WASHER D.10
17	4399228	VITE TE 10x25 10.9 ZNT 5739 (K)	SCREW 10x25
18	4398633	RONDELLA 10 (10x18x2) ZNT 1750 (s) (K)	WASHER D.10 (10x18x2)
19	4399969	DADO M10 6S ALTO ZNT 5587 (K)	NUT M10
20	4398708	VITE TE 6x16 8.8 ZNT 5739 (K)	SCREW TE 6x16 8.8 ZNT 5939
21	4398848	RONDELLA 6 (6,6x18x1,5)ZNT6593 (K)	WASHER 6 (6,6x18x1,5)
22	4398723	VITE TE 6x12 8.8 ZNT 5739 (K)	SCREW 6x12
24	4399889	DADO M 6 6S ZNT 5588 (K)	NUT M6

Pro Duo Version only



<b>Rif. Ref.</b>	<b>Codice Code</b>	<b>Descrizione</b>	<b>Description</b>
1	3008944	DECALCO FRECCIA + UP	DECAL
2	7008820	COPERCHIO P.A.3-FONDO ZNT NERO	ARM COVER
3	3009088	RONDELLA D.18,8x45x4 -ZNT B.	WASHER D.18,8x45x4
4	4399120	VITE TSPEI M10x20 10.9 ZNT 5933 (K)	SCREW TSPEI M10x20 10.9 ZNT 5933
5	4198993	RACCORDO 6512 1/8"-6 S.R.(DIRITTO+OR)	QUICK UNION 1/8"
6	4399998	RONDELLA 6 (6,4x12x1,6)ZNT6592 (K)	WASHER 6 (6,4x12x1,6)
7	4399300	VITE TCEI M 6x12 8.8 ZNT 5931 (K)	SCREW 6x12
8	3000599	PERNO X CROC. M12 L=50 TCEI (12.9)	PIN M12 L=50
9	4399865	DADO AUTOBL.M12 BASSO.6S. 7474 (K)	SELF-LOCKING NUT M12
10	2008857	GR.CILINDRO P.A.3 INT.	CYLINDER
11	4198993	RACCORDO 6512 1/8"-6 S.R.(DIRITTO+OR)	QUICK UNION 1/8"
12	7015932	SCORREVOLE P.A.F 3-FONDO ZNT NERO	P.A. F 3 SLIDE
13	3002311	RONDELLA D.10,5x45x4 -ZINCATA	WASHER D.10,5x45x4
14	4399966	VITE TE 10x20 8.8 ZNT 5739 (S) (K)	SCREW 10x20
15	4398901	VITE OTTONE TE M10x20 5739	BRASS SCREW 10x20
16	4399967	DADO M10 6S BASSO ZNT 5589 (K)	NUT M10
17	4395502	VITE TE 16x160 8.8 PF ZNT 5737	SCREW TE 16x160 8.8
18	4399828	RONDELLA 16 (17x30x3) ZNT 6592 (K)	WASHER 16 (17x30x3)
19	4399963	DADO AUTOBL.M16 BASSO.6S. 7474 (K)	SELF-LOCKING NUT M16
20	7015928	CARENATURA BRACCIO 1 P.A.F. FONDO ZNT NERO	ARM FRAME 1 P.A.F.
21	4399981	RONDELLA 12 (13x24x2,5)ZNT6592 (K)	WASHER 12 (13x24x2,5)
22	7007545	BRACCIO DISCO ST. PA L425-FONDO ZNT NERO	P.A. DISK ARM
23	3015950	TUBO ELASTOLAN 6X4 L=580 NEUTRO	ELASTOLAN HOSE 6X4 L=580 NEUTR.
24	4399378	RONDELLA 10 (10,5x21x2)ZNT6592 (K)	WASHER D.10 (10,5x21x2)
25	3006886	DISCO STALLONATORE	BEAD BREAKING DISK
26	3006862	PERNO SUP.DISCO ST.BRUNITO	DISK PIN
27	2012683	GR.IMPUGNATURA+VITE STEI M10	HANDLE+SCREW
28	7013004	BRACCIO 2 PA4-FONDO ZNT NERO	ARM 2 PA4
29	2108983	BRACCIO 3 P.A.3-ZNT B.	ARM 3
30	7008819	BASAMENTO P.A.3-FONDO ZNT NERO	P.A.3 FRAME
31	2108818	PALO VERT. P.A.3-NERO	VERTICAL ARM
32	3007781	PIASTRA FISS.COL./BASAM.-FOSFATAZIONE MANGANESE	FIXING PLATE
33	2115062	SCORR.BRACCIO 3 P.A.4-ZNT B.	ARM SLIDING BLOCK
34	3008404	PREMITALLONE NYLON NERO	BEAD-PRESSING TOOL -- NYLON -- BLACK
35	4399863	RONDELLA 8 (9x24x2) ZNT 6593 (K)	WASHER 8 (9x24x2)
36	4399298	VITE TCEI M 8x16 8.8 ZNT 5931 (K)	SCREW 8x16
37	7006888	STAFFA P.A.2-FONDO ZNT NERO	SUPPORT BLACK PRESS ARM
38	7006887	COLONNA BASE P.A.2-FONDO ZNT NERO	P.A.2 BASE COLUMN
39	4399228	VITE TE 10x25 10.9 ZNT 5739 (K)	SCREW 10x25
40	4198285	VALVOLA 5 VIE CENTRI CHIUSI 368-905 (p)	5-WAY VALVE
41	4295214	GAFFETTA IN ACCIAIO D.16	STEEL HOOK D.16
42	4199610	SILENZIATORE 1 SFE 1/8" OTTONE C/RETE	SILENCER 1/8"
43	2006996	GR.VALVOLA HELP-PRESS ARM	VALVE UNIT FOR HELP & PRESS ARM
44	3015980	TUBO ELASTOLAN 6X4 L=1050 NERO	ELASTOLAN HOSE 6X4 L=1050 BLACK
45	3012448	GUAINA PVC 18x20 L=900 mm	PVC SHEATH 18x20 L=750
46	4399786	VITE TE 10x30 8.8 ZNT 5739 TUTTO FILETTO (K)	SCREW 10x30
47	4399969	DADO M10 6S ALTO ZNT 5587 (K)	NUT M10
48	3008860	VITE SPECIALE TE M8x431 ZNT B.	BOLT M8x1,25x431
49	3015023	FLANGIA POSTER.D.75-PRF	FLANGE
50	4298822	ANELLO OR 842 D.68,26x3,53	O-RING D.68,26x3,53
51	4399865	DADO AUTOBL.M12 BASSO.6S. 7474 (K)	SELF-LOCKING NUT M12
52	4398753	RONDELLA 12,5x30x3 ZNT. (S) (K)	WASHER D.12,5x30x3
53	4198856	PISTONE MONOBLOCCO TDUOP D.75	PISTON D.75
54	3008858	CAMICIA CIL. P.A.3 L=402	CYLINDER LINER L=402
55	3199601	ANELLO RASCH.BID.L7 NSW 20 30 6/CO	SCRAPER RING
56	4298823	FASCIA DI GUIDA ASTA CILINDRO	NYLON GUIDE
57	3008859	ASTA CIL. P.A.3 L=453 ZNT	CYLINDER ROD L=453
58	3015024	FLANGIA ANTER.D.75-PRF	FLANGE
59	3015947	TUBO ELASTOLAN 6X4 L=1050 AZZURRO	ELASTOLAN HOSE 6X4 L=1050 L.BLUE
60	3014450	TUBO ELASTOLAN 6X4 L=1500	ELASTOLAN HOSE 6x4 L=1500
61	4395146	VITE TCEI M 3x45 8.8 ZNT 5931	SCREW TCEI 3x45
62	3199599	ANELLO SEEGER I D.30 JV (K)	SEEGER RING D.30
63	4397678	DADO FLANGIATO M8 ZNT DIN 6923 (K)	FLANGED NUT M8
64	4398146	RASAMENTO 24x30x1 (K)	STEEL SHIM 24x30x1
65	3007864	DISTANZ. 12x18x45 -FOSFATAZIONE MANGANESE	SPACER 12x18x45
66	4398248	VITE TCEI M12x75 12.9 5931	SCREW 12x75
67	4395145	DADO AUTOBL.M 3 BASSO.6S. 7474	SELF-LOCKING NUT M3
68	4396635	VITE TBEI M10x20 10.9 ZNT 7380	SCREW 10x20
69	4399967	DADO M10 6S BASSO ZNT 5589 (K)	NUT M10
70	4399378	RONDELLA 10 (10,5x21x2)ZNT6592 (K)	WASHER D.10 (10,5x21x2)
71	3015952	TUBO ELASTOLAN 6X4 L=2000	ELASTOLAN HOSE 6X4 L=2000
72	3015979	TUBO ELASTOLAN 6X4 L=1050 NEUTRO	ELASTOLAN HOSE 6X4 L=1050 NEUTR.
73	3015949	TUBO ELASTOLAN 6X4 L=100 AZZURRO	ELASTOLAN HOSE 6X4 L=100 L.BLUE
74	3013112	TERMINALE BRACCETTO P.A.	ARM END PART
75	3010284	POMOLO D.14x45 FORO M5 ZNT	KNOB D.14X45 M5
76	7009589	BRACCIO 1 P.A. A.T.-FONDO ZNT NERO	ARM 1 P.A. AT
77	4395462	RASAMENTO COMPENS. D.35X45X0,3 (S) (K)	COMPENSATION RING D.35X42X0,5
78	2043889	GR.TAMPONE WDK (SHA) + BOCCOLA	BEAD PRESSING TOOL + BUSH
79	3043888	TAMPONE WDK (SHA) -LAV.	WDK BEAD-PRESSING TOOL
80	3043921	BOCCOLA PREMITALLONE WDK - ZINC. B.	WDK BEAD PRESSING TOOL BUSH
81	4392027	RONDELLA 10x22x2 ZNT6592	WASHER 10x22x2 ZNT6592

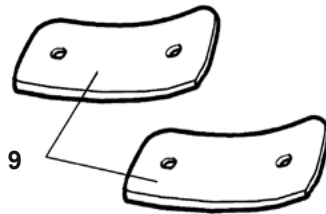
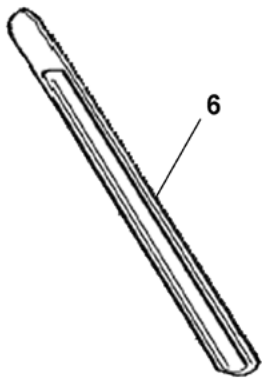
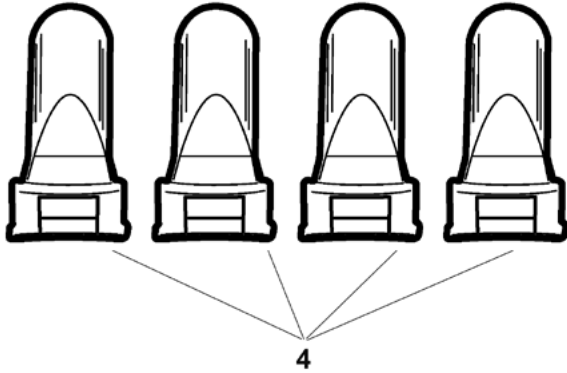
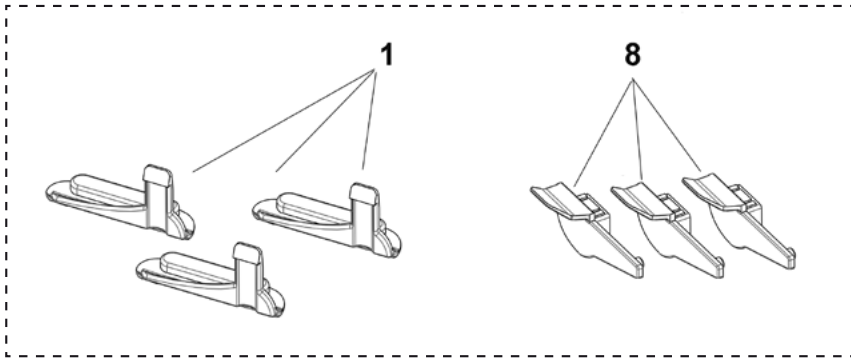
Pro Duo Version only



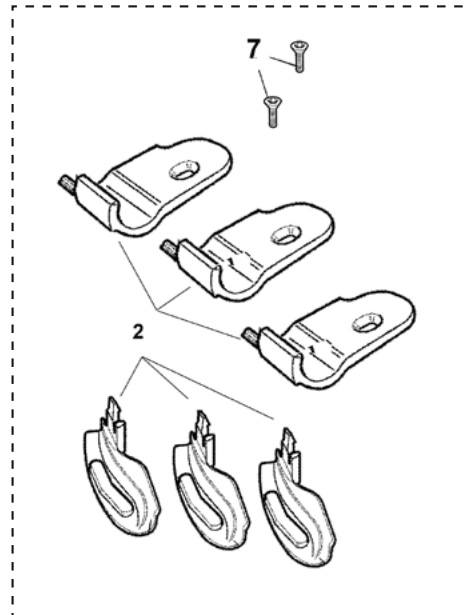


<b>Rif. Ref.</b>	<b>Codice Code</b>	<b>Descrizione</b>	<b>Description</b>
1	4399966	VITE TE 10x20 8.8 ZNT 5739 (S) (K)	SCREW 10x20
2	4399378	RONDELLA 10 (10,5x21x2)ZNT6592 (K)	WASHER D.10 (10,5x21x2)
3	7008816	BASAMENTO HELP 4-BLU R.5015	BEDPLATE
4	7008815	PALO VERT. HELP 4-NERO	VERTICAL ARM
5	4399969	DADO M10 6S ALTO ZNT 5587 (K)	NUT M10
6	4399786	VITE TE 10x30 8.8 ZNT 5739 TUTTO FILETTO (K)	SCREW 10x30
7	2008332	GR.CILINDRO HELP 3 INT.	CYLINDER
8	4198618	RACCORDO 6522 1/8"-6 (90°-GIR.+ OR)	UNION 1/8"
9	3015952	TUBO ELASTOLAN 6X4 L=2000	ELASTOLAN HOSE 6X4 L=2000
10	3010284	POMOLO D.14x45 FORO M5 ZNT	KNOB D.14X45 M5
11	3009505	GUAINA PVC 18x20 L=860 mm	PVC SHEATH 18x20 L=860
12	4397454	VITE TCEI M20x90 8.8 ZNT 5931 (S) (K)	SCREW 20x90
13	4399810	DADO M20 6S BASSO ZNT 5589 (K)	NUT M20
14	3008433	RULLO ST.D.100 L120 NYLON NERO	ROLLER D.102 L=120
15	6636406	BRACCIO OR.E.36 HELP 234-FONDO ZNT NERO	
16	3008944	DECALCO FRECCIA + UP	DECAL
17	2108782	CAVALLOTTO FISSAGGIO H.3--FOSFAT.MANGANESE	U BOLT
18	4398723	VITE TE 6x12 8.8 ZNT 5739 (K)	SCREW 6x12
19	4399998	RONDELLA 6 (6,4x12x1,6)ZNT6592 (K)	WASHER 6 (6,4x12x1,6)
20	7006853	COPERCHIO B.O. HELP 3-FONDO ZNT NERO	HELP 3 COVER
21	4198993	RACCORDO 6512 1/8"-6 S.R.(DIRITTO+OR)	QUICK UNION 1/8"
22	7007546	BRACCIO DISC.ST. H3 L605-FONDO ZNT NERO	BEAD BREAKER DISK ARM
23	4398662	ROND.GROWER D.10 (10,5x17,5x2,2) ZNT 1751 (K)	GROWER WASHER D.10
24	3006886	DISCO STALLONATORE	BEAD BREAKING DISK
25	3006862	PERNO SUP.DISCO ST.BRUNITO	DISK PIN
26	2012683	GR.IMPUGNATURA+VITE STEI M10	HANDLE+SCREW
27	3002311	RONDELLA D.10,5x45x4 -ZINCATA	WASHER D.10,5x45x4
28	3015945	TUBO ELASTOLAN 6X4 L=660 NEUTRO	ELASTOLAN HOSE 6X4 L=660 NEUTRAL
29	7015666	SCORREVOLE HELP 4-FONDO ZNT NERO	SLIDE HELP 4- BLACK
30	4398901	VITE OTTONE TE M10x20 5739	BRASS SCREW 10x20
31	3006641	SQUADRETTA LUBR. BIG - ZNT	SMALL PLATE
32	2110301	CAVALLOTTO FISS. H3 S113-FOSFAT.MANGANESE	U BOLT
33	7010304	STAFFA SUPP. H4 S113-NERO FONDO ZNT	H4 SUPPORTING BRACKET
34	2010310	KIT APPLIC. HELP4-NERO	HELP ARM INSTALLATION KIT
35	4395145	DADO AUTOBL.M 3 BASSO.6S. 7474	SELF-LOCKING NUT M3
36	2108817	COPERCHIO HELP 4-BLU R.5015	ARM COVER
37	3015948	TUBO ELASTOLAN 6X4 L=1500 AZZURRO	ELASTOLAN HOSE 6X4 L=1500 LIGHT BLUE
38	4399864	ANELLO SEEGER E D.12 7435 (K)	SEEGER RING D.12
39	4198285	VALVOLA 5 VIE CENTRI CHIUSI 368-905 (p)	5-WAY VALVE
40	4199610	SILENZIATORE 1 SFE 1/8" OTTONE C/RETE	SILENCER 1/8"
41	2108784	VITE ANTIROTAZIONE H.3--FOSFAT.MANGANESE	ANTIROTATION SCREW H.3
42	2006996	GR. VALVOLA HELP-PRESS ARM	VALVE UNIT FOR HELP & PRESS ARM
43	4295214	GAFFETTA IN ACCIAIO D.16	STEEL HOOK D.16
44	3014451	TUBO ELASTOLAN 6X4 L=1100	HOSE 6x4 L=1100
45	3016150	TUBO ELASTOLAN 6X4 L=1500 NEUTRO	ELASTOLAN HOSE 6X4 L=1500 NEUTRAL
46	3000599	PERNO X CROC. M12 L=50 TCEI (12.9)	PIN M12 L=50
47	4399865	DADO AUTOBL.M12 BASSO.6S. 7474 (K)	SELF-LOCKING NUT M12
48	3015949	TUBO ELASTOLAN 6X4 L=100 AZZURRO	ELASTOLAN HOSE 6X4 L=100 L.BLUE
49	3014450	TUBO ELASTOLAN 6X4 L=1500	ELASTOLAN HOSE 6x4 L=1500
50	3008334	VITE SPECIALE TE M8x517 ZNT B.	BOLT M8x1,25x517
51	3015024	FLANGIA ANTER.D.75-PRF	FLANGE
52	3006649	ASTA CIL. HELP 2/3 L=561 ZNT	CYLINDER ROD L=561
53	4298822	ANELLO OR 842 D.68,26x3,53	O-RING D.68,26x3,53
54	4299168	ANELLO OR 3081 D.20,29x2,62	O-RING 20,29x2,62
55	3199601	ANELLO RASCH.BID.L7 NSW 20 30 6/CO	SCRAPER RING
56	3008333	CAMICIA CIL. HELP 3 L=490	CYLINDER LINER L=490
57	4198856	PISTONE MONOBLOCCO TDUOP D.75	PISTON D.75
58	4398753	RONDELLA 12,5x30x3 ZNT. (S) (K)	WASHER D.12,5x30x3
59	4399865	DADO AUTOBL.M12 BASSO.6S. 7474 (K)	SELF-LOCKING NUT M12
60	3015023	FLANGIA POSTER.D.75-PRF	FLANGE
62	3199599	ANELLO SEEGER I D.30 JV (K)	SEEGER RING D.30
63	4395146	VITE TCEI M 3x45 8.8 ZNT 5931	SCREW TCEI 3x45
64	4398146	RASAMENTO 24x30x1 (K)	STEEL SHIM 24x30x1
65	4399976	DADO M 8 6S ZNT 5588 (K)	NUT M8
66	4196333	RACCORDO 6550 6 SANG-A(+ANELLO)	UNION
67	4399981	RONDELLA 12 (13x24x2,5)ZNT6592 (K)	WASHER 12 (13x24x2,5)
68	3002601	AMMORTIZ. TORRETTA ES.41	MOUNTING TOOL SHOCK ABSORBER
69	3009675	PIASTRA FISSAGGIO H.4 -FOSFATAZIONE MANGANESE	FIXING PLATE
70	4297851	MANIGLIA A PONTE ABS PICCOLA	HANDLE
71	4398672	VITE TSPEI M 6x16 10.9 ZNT 5933 (K)	SCREW TSPEI M 6x16 10.9 ZNT 5933
72	4297978	CUFFIA X VALVOLA 5 VIE	VALVE COVER
73	4399813	RONDELLA 20 (21x37x3) ZNT 6592 (K)	WASHER 20 (21x37x3)
74	2018903	GR. DISCO RUN FLAT UHP	RUN FLAT UHP DISC UNIT
75	2041627	KIT DISCO "S" D.150 COMPLETO DI CUSCINETTI E VITE	DISC UNIT - - -COMPLETE - - -
76	2118450	ATTACCO DISCO D.150 HELP -ZNT B.	D.150 HELP DISK UNION

Not available for L-N-L version



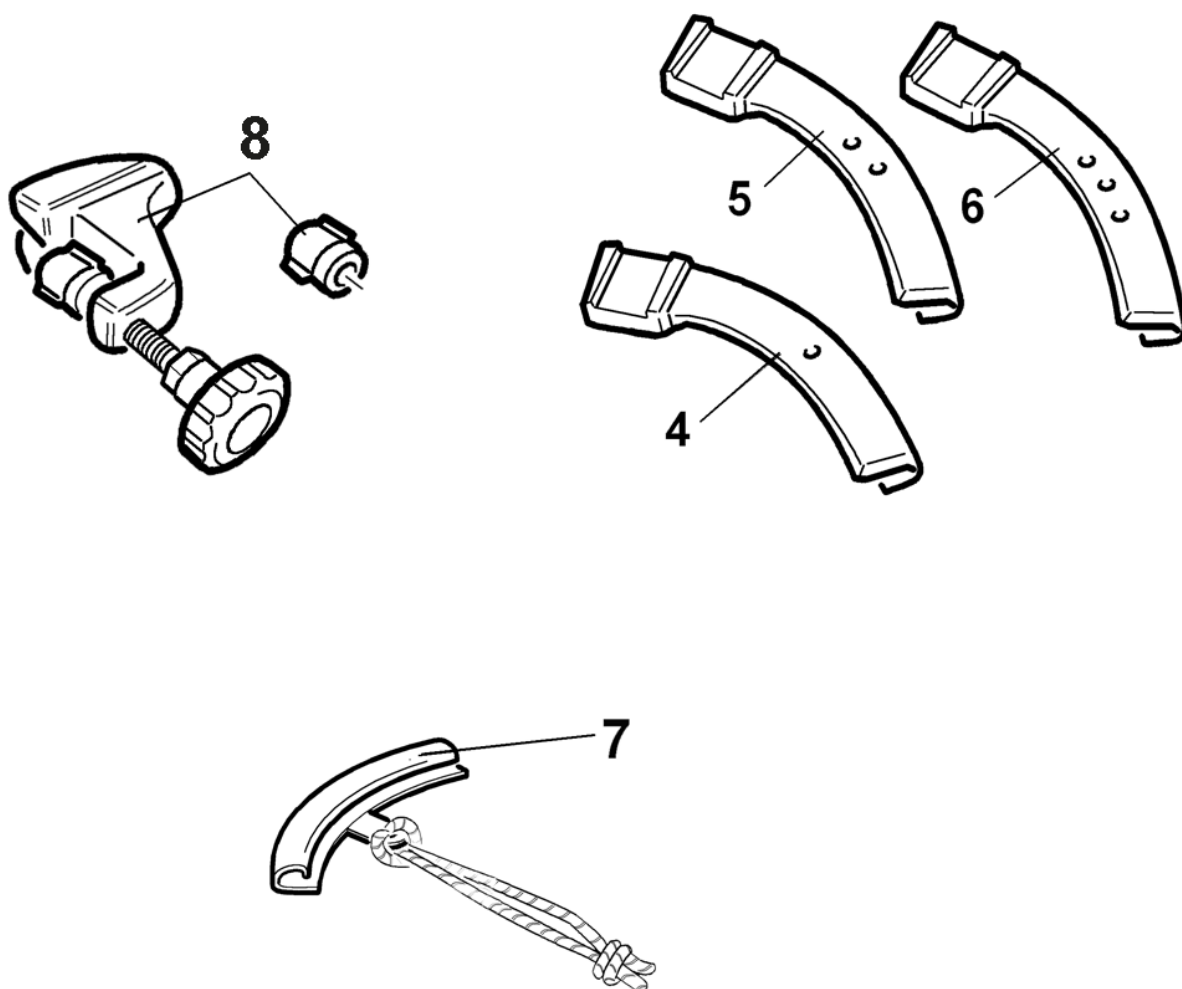
Available on L-N-L version only



STND version only

Rif. Ref.	Codice Code	Descrizione	Description
1	3036922	INSERTO POSTERIORE X UT. LP	REAR PLASTIC PROTECTION - LP
2	9230682	485/09 KIT INSERTI PLASTICA XAGE/QX	485/09 KIT OF PLASTIC INSERTS XAGE/QX
3	4296517	PENNELLO x GRASSO	BRUSH FOR GREASE
4	2006393	PROTEZ.INTEGRALE GRIFFA COMPL.	JAW PROTECTORS
5	4299984	SECCHIELLO PASTA X MONT. PNEUM. kg.1,000	TIRE MOUNTING PASTE 1KG.
6	3006970	LEVA ALZATALLONI TIPO C	BEAD LIFTING LEVER
7	4393753	VITE TSPEI 5X10 12.9 5933 - (K)	SCREW TSPEI 5X10 12.9 5933
8	3036650	INSERTO ANTERIORE X UT. LP	FRONT PLASTIC PROTECTION - LP
9	9233707	KIT 2 PROTEZ.PALETTA SCATTO NYLON	SHOVEL PROTECTING COVER
10	3018892	LEVA ALZATALLONI "S" RUN FLAT - UHP TYRES	BEAD LIFTING LEVER - "S" -

WDK version only



<b>Rif. Ref.</b>	<b>Codice Code</b>	<b>Descrizione</b>	<b>Description</b>
4	3018877	PROTEZ. GOMMA RINF. CERCHI RUN FLAT T.1	RUBBER PROTECTION T.1
5	3018878	PROTEZ. GOMMA RINF. CERCHI RUN FLAT T.2	RUBBER PROTECTION T.2
6	3018879	PROTEZ. GOMMA RINF. CERCHI RUN FLAT T.3	RUBBER PROTECTION T.3
7	2012807	PROTEZ.CERCHIO COMPL.	RIM EDGE PLASTIC PROTECTION
8	9218904	MORSETTO KIT RUN FLAT UHP	CLAMP - RUN FLAT KIT



**GIULIANO INDUSTRIAL S.p.a. - Via Guerrieri, 6 - 42015 Correggio (RE) ITALY**