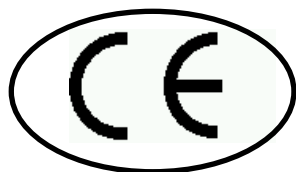


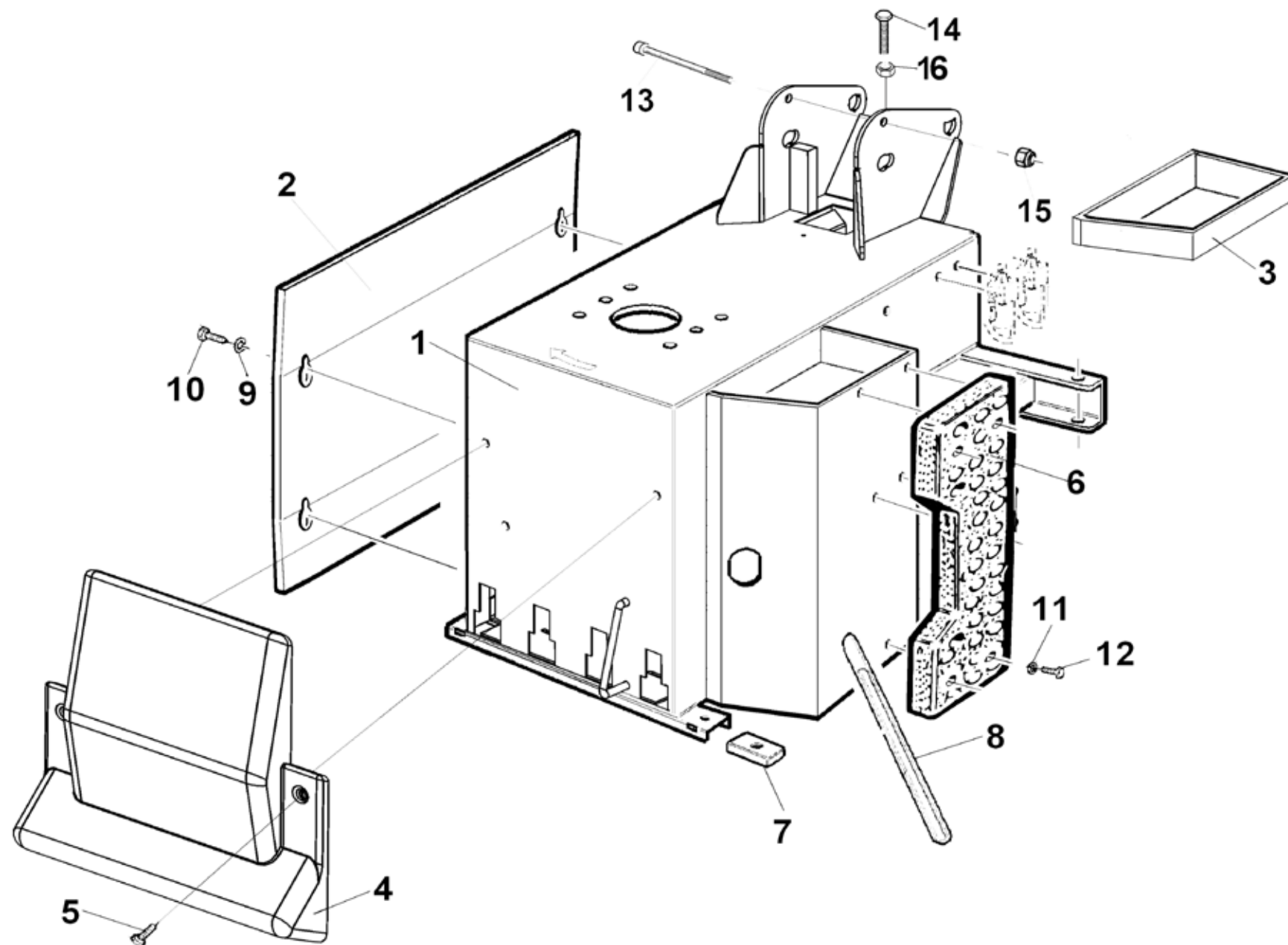
CATALOGO RICAMBI ORIGINALI - ORIGINAL SPARE PARTS

CATALOGUE PIECES D'ORIGINE - ORIGINALSATZTEILE

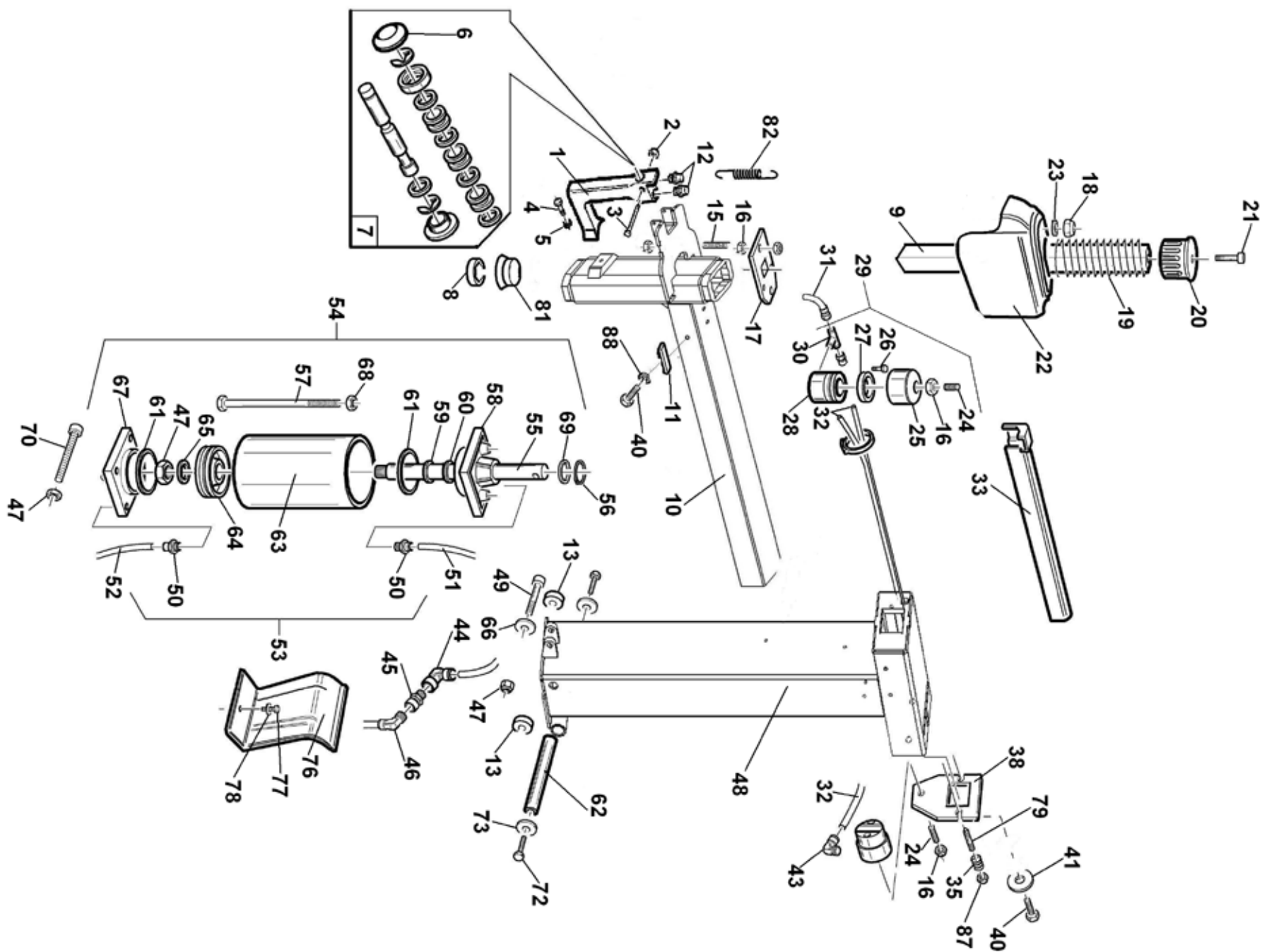
Ed. 03/2013

Cod.





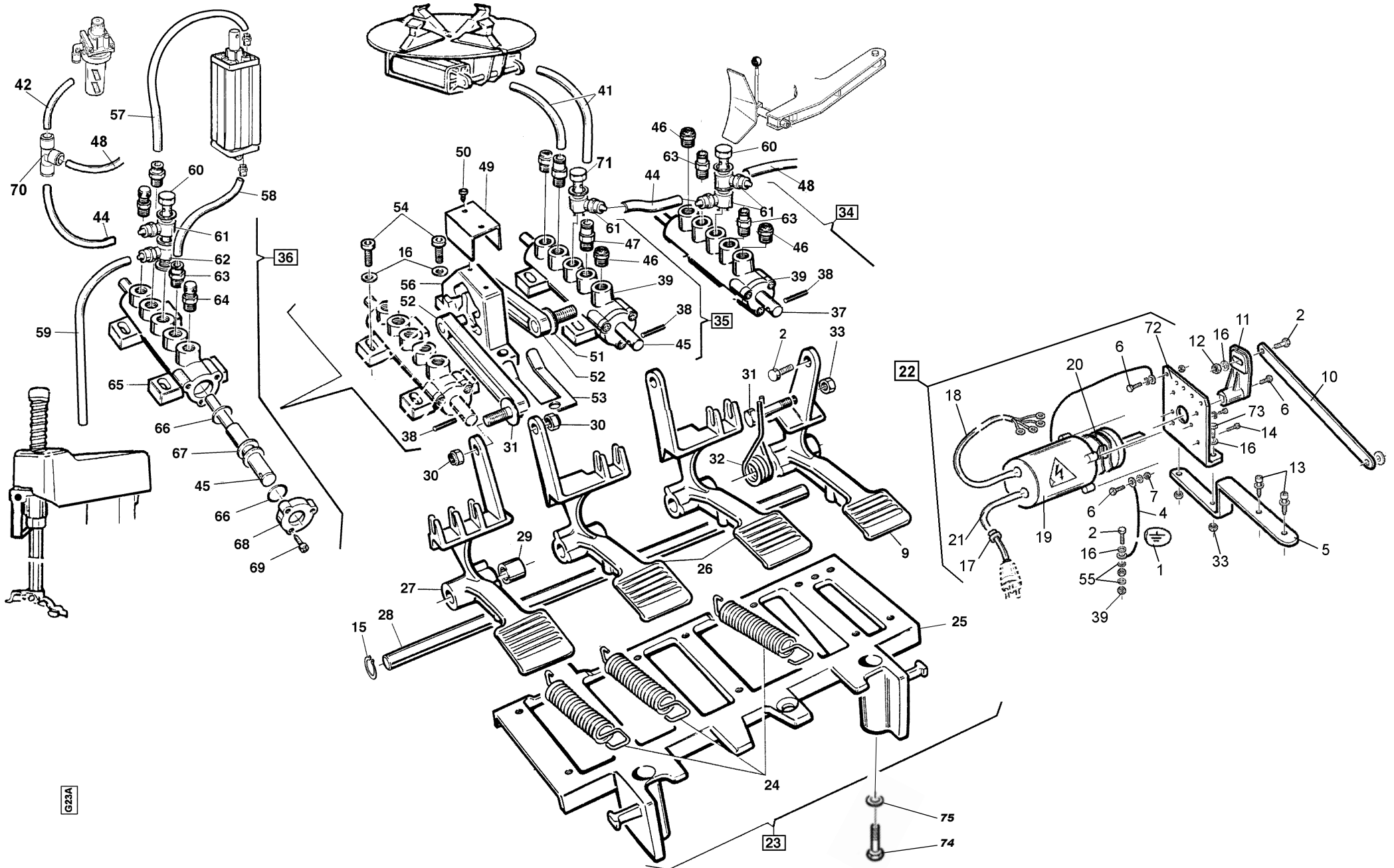
		SHELL	BATI	RAHMEN
1	5835345	CARCASSA		
2	7035667	COPERCHIO LAT.	COUVERTURE LATERALE	SEITENABDECKUNG
3	3035692	APPOGGIO TAMPONE ABS	COUVERCLE ABS	TOP COVER ABS
4	3035375	PROTEZIONE PEDALI	PEDAL COVER	PEDALSCHUTZ
5	4399300	VITE TCEI M 6x12 8.8 ZNT 5931	VIS 6x12	SCHRAUBE 6x12
6	3035374	APPOGGIO RUOTA	APPUI ROUE	RADHALTER
7	3002099	PIEDE IN PLASTICA PER CARCASSA	PIED EN PLASTIQUE	PLASTIKFUSS
8	3006970	LEVA ALZATALLONI TIPO C	LEVIER DECOLLE-TALONS	WULSTABDRUECKHEBEL
9	4399998	RONDELLA 6 (6,4x12x1,6)	RONDELLE 6 (6,4x12x1,6)	BEILAGSSCHEIBE 6 (6,4x12x1,6)
10	4393749	VITE FLANG. TCEI 6X20 ZNT	VIS TCEI 6X20 ZNT	SCHRAUBE TCEI 6X20
11	4398848	RONDELLA 6 (6,6x18x1,5)ZNT6593	RONDELLE 6 (6,6x18x1,5)	BEILAGSSCHEIBE 6 (6,6x18x1,5)
12	4399999	VITE TCEI M 6x25	VIS 6x25	SCHRAUBE 6x25
13	4395994	VITE TCEI M12x180 8.8 ZNT 5931	VIS 12x180	SCHRAUBE 12x180
14	4398030	VITE TE 10x50 8.8 ZNT 5739	VIS 10x50	SCHRAUBE 10x50
15	4399865	DADO AUTOBL.M12 BASSO.6S. 7474	SELF-LOCKING NUT M12	SELBSTSICHERNDE MUTTER M12
16	4399967	DADO M10 6S BASSO ZNT 5589	NUT M10	MUTTER M10



1	2007986	GR.COMANDO BLOCC.PALI INTEGR.	ARM LOCKING CONTROL	COMMANDE BLOCAGE BRAS	ARMSPERRVENTIL
2	4399895	DADO AUTOBL.M 4 BASSO.6S. 7474	ECROU DE VERROUILLAGE M4	SELF-LOCKING NUT M4	SELBSTSICHERNDE MUTTER M4
3	4399896	VITE TE 4x35 8.8 P.F. 5737	VIS 4x35	SCREW 4x35	SCHRAUBE 4x35
4	4399300	VITE TCEI M 6x12 8.8 ZNT 5931	SCREW 6x12	VIS 6x12	SCHRAUBE 6x12
5	4399998	RONDELLA 6 (6,4x12x1,6)ZNT6592	WASHER 6 (6,4x12x1,6)	RONDELLE 6 (6,4x12x1,6)	UNTERLEGSSCHEIBE 6 (6,4x12x1,6)
6	3012721	CAPPUCCIO	CAPUCHON	CAP	KAPPE
7	2008336	KIT RICAMBIO X COMANDO BL.PALI	JEU REPLACE COMMANDE BRAS	ARM CONTROL SPARES	RMSTEUERUNGERSATZTEILE
8	3002601	AMMORTIZ. TORRETTA ES.41	AMORTISSEUR OUTIL DE MONTAGE	MOUNT. TOOL SHOCK ABSORBER	MONTIERWERKZEUGSTOSSDAEMPFER
9	3035353	BRACCIO OP. QUADRO	ARM	BRAS	SECHSKANTARM
10	7035348	PALO QUADRO COMPL. - NERO	BRAS HORIZONTAL	HORIZONTAL ARM	WAAGERECHTER ARM
11	3007935	AMMORTIZZ. PALO QUADRO AUT.	AMORTISSEUR	SHOCK ABSORBER	STOSSDAEMPFER
12	4197743	RACCORDO 6511 M5-4 DIR. A.104	RACCORD	UNION	ANSCHLUSS
13	3014633	DISTANZIALE PALO V.233	ENTRETOISE BRAS	ARM SPACER	ARMABSTANDSSTUECK
15	3012459	BARRA FILETT. M10 L=120	THREADED BAR M10 L=120	BARRE TARAUDEE M10 L=120	GEWINDESTANGE M10 L=120
16	4399967	DADO M10 6S BASSO ZNT 5589	ECROU M10	NUT M10	MUTTER M10
17	3035352	PIASTRA BLOCCAGGIO B.O.	PLAQUE BLOCAGE BRAS	ARM LOCKING PLATE	ARMSPANNPLATTE
18	4399971	DADO AUTOBL.M10 BASSO	ECROU DE VERROUILLAGE M10	SELF-LOCKING NUT M10	SELBSTSICHERNDE MUTTER M10
19	3035946	MOLLA COMPR.BO	SPRING	RESSORT	FEDER
20	3001759	POMOLO FERMO MOLLA B.O.	POMMEAU BRAS OPERATEUR	OPERATING ARM KNOB	MONTIERARMGRIFF
21	4399134	VITE TCEI M 8x30 8.8 5931	VIS 8x30	SCREW 8x30	SCHRAUBE 8x30
22	3035356	PROTEZIONE ABS PALO QUADRO	BATI BRAS	ARM FRAME	ARMGESTELL
23	4399378	RONDELLA 10 (10,5x21x2)ZNT6592	RONDELLE D.10 (10,5x21x2)	WASHER D.10 (10,5x21x2)	BEILAGSSCHEIBE 10 (10,5x21x2)
24	4398284	VITE STEI 10x30 P.P. 5923	VIS 10X30	SCREW 10x30	SCHRAUBE 10x30
25	4299524	CAMICIA CILINDRO D.60	CHEMISE VERIN D.60	CYLINDER LINER D.60	ZYLINDERMANTEL D.60
26	4399135	VITE TCEI M 6x35 8.8	VIS 6x35	SCREW 6x35	SCHRAUBE 6x35
27	4299522	ANELLO TENUTA DEP 60-50-5	BAGUE D"ETANCHEITE"	SEALING RING	DICHTUNGSRING
28	4299523	PISTONE D.60	PISTON D.60	PISTON D.60	KOLBEN D.60
29	2099665	CILINDRO BLOCCAGGIO	VERIN DE BLOCAGE	LOCKING CYLINDER	SPERRZYLINDER
30	4197740	RACCORDO 6410 1/8"-4 S.RAPIDO	RACCORD RAPIDE 1/8"	QUICK UNION 1/8"	SCHNELLANSCHLUSS 1/8"
31	3007990	TUBO RILSAN 4x2 L=220	TUYAU RILSAN 4x2 L=220	RILSAN HOSE 4x2 L=220	SCHLAUCH 4x2 L=220
32	3007988	TUBO RILSAN BINATO 4X2,7 L=2200	TUYAU RILSAN 4x2,7 L=2200	RILSAN HOSE 4x2,7 L=2200	SCHLAUCH 4x2,7 L=2200
33	3017517	GUIDA TUBI PALO QUADRO AUT. F/2	GUIDE TUYAUX	GUIDE	FUEHRUNG
34	4399953	VITE TE 10x16 8.8	VIS 10x16	SCREW 10x16	SCHRAUBE 10x16

35	4294966	MOLLA CARICO LEGG. GIALLA SL 26X25	RESSORT 26X25	SPRING 26X25	FEDER 26X25
38	3033160	PIASTRA BLOCC.P.Q.	PLAQUE BLOCAGE BRAS	ARM LOCKING PLATE	ARMSPANNPLATTE
39	6131298	SUPPORTO PALO COMPL.	SUPPORT BRAS	SUPPORT BRAS	ARMHALTER
40	4399827	VITE TE 8x20 8.8 5739	VIS 8x20	SCREW 8x20	SCHRAUBE 8X20
41	4399947	RONDELLA 8 (9x32x4) ZNT 6593	RONDELLE 8 (9x32x4)	WASHER 8 (9x32x4)	BEILAGSSCHEIBE 8 (9X32X4)
43	4197741	RACCORDO 6500 1/8"-4 90' A.107	RACCORD 1/8"	UNION 1/8"	ANSCHLUSS 1/8"
44	4197210	RACCORDO 6521 1/8"-4 90' A.109	RACCORD 1/8"	UNION 1/8"	ANSCHLUSS 1/8"
45	4197209	MANICOTTO 2543 1/8" F.	MANCHON 2543 1/8" F	COUPLING 2543 1/8" F	MUFFE 2543 1/8" F
46	4199098	RACCORDO S6500 1/8" 6-4 S.RAPID	RACCORD RAPIDE 1/8" 6-4	QUICK UNION 1/8" 6-4	SCHNELLANSCHLUSS 1/8" 6-4
47	4399865	DADO AUTOBL.M12 BASSO.6S. 7474	ECROU DE VERROUILLAGE M12	SELF-LOCKING NUT M12	SELBSTSICHERNDE MUTTER M12
48	7035354	PALO VERTICALE	BRAS VERTICAL	VERTICAL ARM	SENKRECHTER ARM
49	3035820	PERNO X CROC. M12 L=55 TCEI	AXE M12 L=55	PIN M12 L=55	STIFT M12 L=55
50	4198993	RACCORDO POC 1/8"-6 S.R.6510	RACCORD RAPIDE 1/8"	QUICK UNION 1/8"	SCHNELLANSCHLUSS 1/8"
51	3000218	TUBO RILSAN 6X4 L=1200	TUYAU RILSAN 6x4 L=1200	RILSAN HOSE 6x4 L=1200	SCHLAUCH 6x4 L=1200
52	3000217	TUBO RILSAN 6X4 L=840	TUYAU RILSAN 6x4 L=840	RILSAN HOSE 6x4 L=840	SCHLAUCH 6x4 L=840
53	2008082	GR.CIL.RIB.EX BOLLINO ROSSO INT.	VERIN BASCULEMENT	TILTING CYLINDER	KIPPZYLINDER
54	2002831	GR.CIL.RIBALT.EX BOLLINO ROSSO	VERIN BASCULEMENT	TILTING CYLINDER	KIPPZYLINDER
55	3002624	ASTA CILINDRO RIBALT. L=309	TIGE VERIN L=309	CYLINDER ROD L=309	ZYLINDERSTANGE L=309
56	3199599	ANELLO SEEGER I D.30 JV	BAGUE SEEGER D.30	SEEGER RING D.30	SEEGER-RING D.30
57	3008085	VITE SPEC. TE M8x160 ZNT B.	VIS SPECIALE 8x160	SPECIAL SCREW M8x160	SONDERSCHRAUBE 8x160
58	3015024	FLANGIA ANTER. CIL. AUT.	BRIDE	FLANGE	FLANSCH
59	3199601	RASCH.BID. NSW 20-30-6 XNU01	SEGMENT RACLEUR	SCRAPER	KRATZSCHEIBE
60	4299168	ANELLO OR 3081 D.20,29x2,62	JOINT OR D.20,29x2,62	O-RING 20,29x2,62	O-RING 20,29X2,62
61	4298822	ANELLO OR 842 D.68,26x3,53	JOINT OR D.68,26x3,53	O-RING D.68,26x3,53	O-RING D.68,26x3,53
62	3031302	PERNO CASTELLO 112-222	AXE	PIN	STIFT
63	3008084	CAMICIA CIL.RIBALT. L=135	CHEMISE VERIN L=135	CYLINDER LINER L=135	ZYLINDERMANTEL L=135
64	4198856	PISTONE MONOBLOCCO TDUOP D.75	PISTON D.75	PISTON D.75	KOLBEN D.75
65	4398753	RONDELLA 12,5x30x3 ZNT.	RONDELLE D.12,5x30x3	WASHER D.12,5x30x3	BEILAGSSCHEIBE D.12,5x30x3
66	4399981	RONDELLA 12 (13x24x2,5)ZNT6592	WASHER 12 (13x24x2,5)	RONDELLE 12 (13x24x2,5)	BEILAGSSCHEIBE 12 (13x24x2,5)

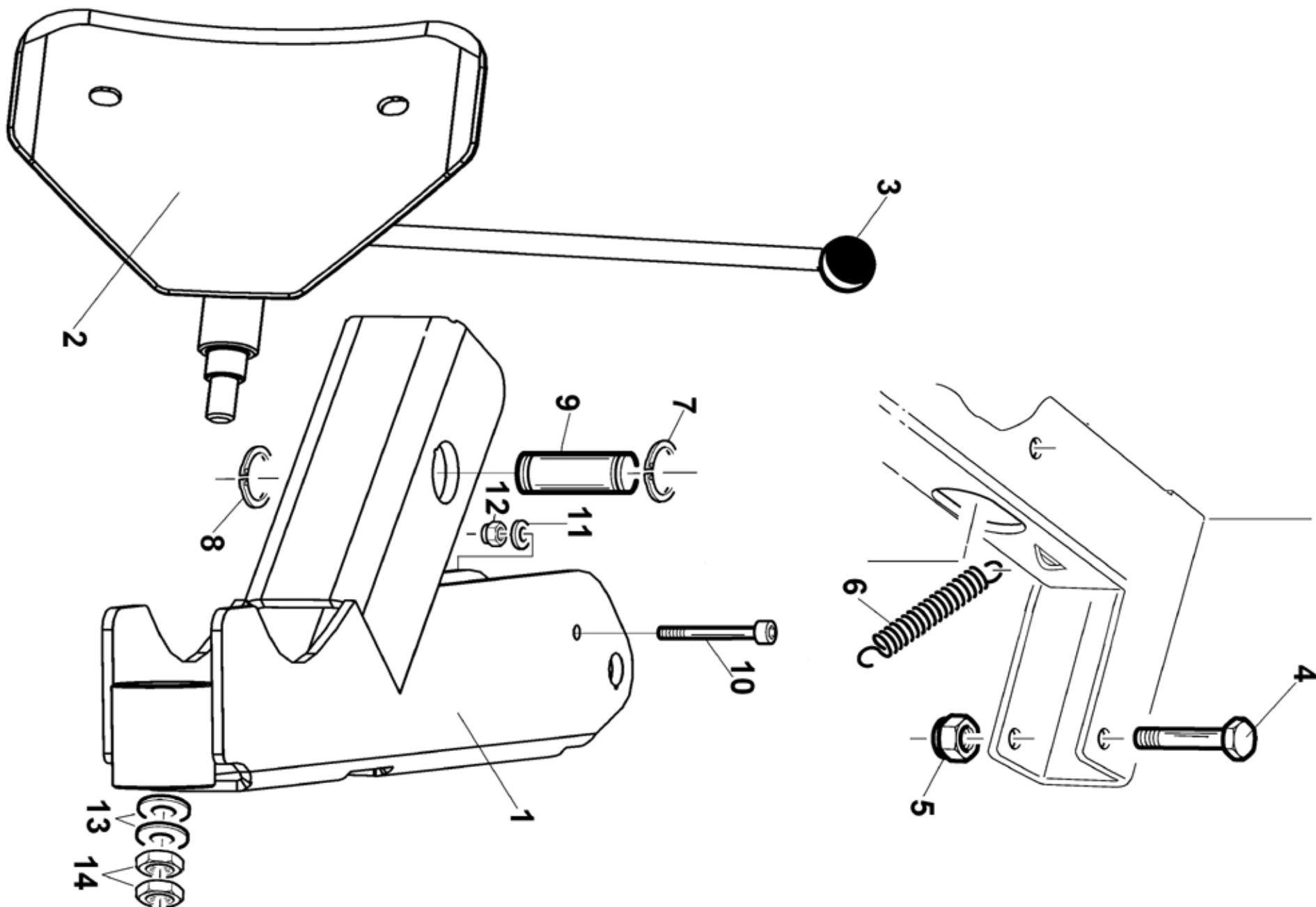
67	3015023	FLANGIA POSTER. CIL. AUT.	BRIDE	FLANGE	FLANSCH
68	4397678	DADO FLANGIATO M8 ZNT DIN 6923	ECROU BORDE" M8	FLANGED NUT M8	FLANSCHMUTTER M8
69	4398146	RASAMENTO D.24x30x1	CALE EN ACIER 24x30x1	STEEL SHIM 24x30x1	STAHLZWISCHENLAGE 24x30x1
70	4399539	VITE TCEI M12x110	VIS 12x110	SCREW 12x110	SCHRAUBE 12x110
71	3031469	PERNO FINE CORSA	AXE	PIN	STIFT
72	4399966	VITE TE 10x20 8.8	VIS 10x20	SCREW 10x20	SCHRAUBE 10x20
73	3000495	RONDELLA D. 10x36x5	RONDELLE 10x36x5	WASHER D.10x36x5	BEILAGSSCHEIBE D.10x36x5
74	4399877	VITE TE 10x60 8.8 PF ZNT 5737	VIS 10x60	SCREW 10x60	SCHRAUBE 10x60
76	3031813	PROTEZ.RIBALTAMENTO PALO VERT.	PROTECTION	PROTECTION	SCHUTZ
77	4398723	VITE TE 6x12 8.8 5739	VIS 6x12	SCREW 6x12	SCHRAUBE 6x12
78	4398848	RONDELLA 6 (6,6x18x1,5)	RONDELLE 6 (6,6x18x1,5)	WASHER 6 (6,6x18x1,5)	BEILAGSSCHEIBE 6 (6,6x18x1,5)
79	3015677	VITE SPECIALE M12X60 P.C.3	SPECIAL SCREW 12x60	VIS SPECIALE 12x60	SONDERSCHRAUBE 12x60
81	3017974	COPERCHIO ANELLO AMMORTIZ.	COUVERCLE BAGUE AMORTISSEUR	SHOCK ABSORB. RING COVER	STOSSDAEMPFERRINGDECKEL
82	3002273	MOLLA A TRAZIONE	RESSORT	SPRING	FEDER
87	4398805	DADO M12 ALTO ZNT 5587	NUT M12	ECROU M12	MUTTER M12
88	4399829	RONDELLA 8 (8,4x16x1,5)	WASHER 8 (8,4x16x1,5)	RONDELLE 8 (8,4X16X1,5)	BEILAGSSCHEIBE 8 (8,4x16x1,5)



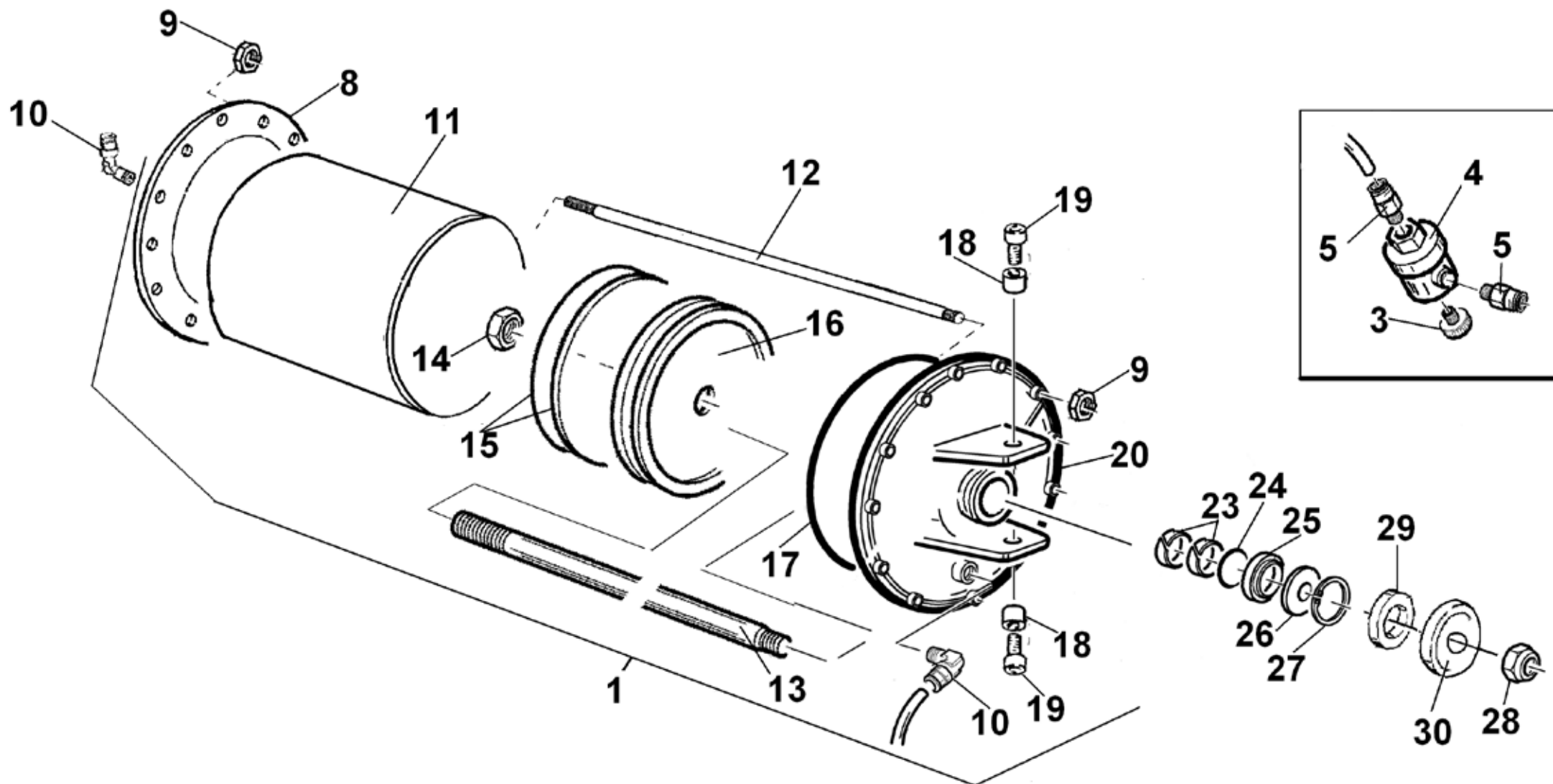
1	3005604	DECALCO BOLLINO PE 27552 BSO	DECALCOMANIE	STICKER	ABZIEHBILD
2	4399892	VITE TE 6x20 8.8 5739	VIS M6x20 - 8.8	SCREW M6x20 - 8.8	SCHRAUBE M6x20 - 8.8
3	4398848	RONDELLA 6 (6,6x18x1,5)ZNT6593	RONDELLE 6 (6,6x18x1,5)	WASHER 6 (6,6x18x1,5)	SCHEIBE 6 (6,6x18x1,5)
4	2006040	CAVETTO TERRA SMTG AUTO L=340	CABLE DE TERRE	GROUND CABLE L=340	MASSEDRAHT L=340
5	3015342	STAFFA X SUPPORTO INVERT.	ETRIER DE SUPPORT	SUPPORT	WECHSLERSTUETZE
6	4399905	VITE TE 4x12 8.8 5739	VIS M4x12 - 8.8	SCREW M4x12 8.8	SCHRAUBE M4x12 8.8
7	4399996	DADO M 4 6S ALTO ZNT 5587	ECROU M4 6S	NUT M4 6S	MUTTER M4 6S
8	4399045	ROND. DEN.ES.IN. 3,2x12x0,5	RONDELLE 3,2x12x0,5	TOOTHED WASHER 3,2x12x0,5	ZAHNSCHEIBE 3,2x12x0,5
9	3002157	PEDALE COM.INVERT. ALL.	PEDALE	REVERSER CONTROL PEDAL	WECHSLERPEDAL
10	3015341	BIELLA COM.INVERT.-ZNT	BIELLE	CONNECTING ROD	PLEUELSTANGE
11	3000175	LEVA INVERTITORE	LEVIER D'INVERSEUR	REVERSER LEVER	WECHSLERHEBEL
12	4399893	DADO AUTOBL.M 6 BASSO.6S. 7474	ECROU A' BLOCAGE AUTOM. M6	SELF-LOCKING NUT M6	SELBSTSICHERNDE MUTTER M6
13	4398273	VITE AUTOF. TCEI 5,5x19	VIS AUTOTARADEUSE TCEI 5,5x19	SELF-TAPPING SCREW 5,5x19	BLECHSCHRAUBE 5,5x19
14	4399044	VITE TCEI M 3x12 12.9 5931	VIS 3x12 12,9	SCREW 3x12 12,9	SCHRAUBE 3x12 12.9
15	4399864	ANELLO SEEGER E D.12 7435	BAGUE SEEGER D.12	SEEGER RING D.12	SEEGER-RING D.12
16	4399998	RONDELLA 6 (6,4x12x1,6)ZNT6592	RONDELLE 6 (6,4x12x1,6)	WASHER 6 (6,4x12x1,6)	SCHEIBE 6 (6,4x12x1,6)
17	4599986	BLOCCAPASSAC.RETT.D.9 SB7 R/3	ARRET DE PASSE-CABLE D.9	CABLE HOLDER D.9	KABELDURCHGANG/SPERRE D.9
18	2001171	CAVO COLL.MOT.-INV. 3PH L=760	CABLE DE CONNEXION L=1500	CONNECTING CABLE L=1500	VERBINDUNGSKABEL L=1500
18	2000525	CAVO COLL.MOT.-INV. 1PH L=750	CABLE CONNEX. MOTEUR-INVERSEUR	CONNECTING CABLE	VERBINDUNGSKABEL
19	3015345	PROTEZIONE X INVERT.	PROTECTION INVERSEUR	REVERSER COVER	WECHSLERSCHUTZ
20	4595380	INVERTITORE 32A	INVERSEUR	1PH REVERSER	1PH WECHSLER
21	2001512	CAVO ALIMENT. 3PH L=3110	CABLE ALIMENTATION 3PH	3PH FEEDING CABLE	3PH - SPEISEKABEL
21	2000526	CAVO ALIMENT. 1PH L=3600	CABLE D'ALIMENTATION 1 PH	1PH FEEDING CABLE	EINPHASIGER SPEISEKABEL
22	2015450	GR.INVERT. 3PH NEW 20A	INVERSEUR 3PH NEW 20A	REVERSER UNIT 3PH NEW 20A	UMSCHALTER 3PH NEW 20A
22	2015404	GR.INVERT.NEW 1PH 25A	INVERSEUR 1PH NEW 20A	REVERSER UNIT 1PH NEW 20A	UMSCHALTER 1PH NEW 20A
23	2035908	PEDALIERA AUTOM. D.8 LEGA	PEDALIER D.8 - ALLIAGE	PEDAL CONTROL UNIT	PEDALEINHEIT
24	3013333	MOLLA RICH.PEDALE W. NEW	RESSORT RAPPEL PEDALE	PEDAL RETURN SPRING	RUECKZUGFEDER
25	3002161	BASAMENTO PEDALIERA	BASE DU PEDALIER	PEDAL BOX BASE	PEDALSITZ
26	3002159	PEDALE COM. AUTOC./STALL. ALL.	PEDALE DE COMMANDE	PEDAL	ZENTRIERTISCHPEDAL
27	3002160	PEDALE COM. RIBALT. ALL.	PEDALE DE COMMANDE	TILTING CONTROL PEDAL	UMKIPPENKONTROLLPEDAL
28	T3003095	PERNO ALLINEAMENTO PED. L.337	GOUJON ALIGNEMENT PEDALES	PEDALS ALINGMENT PIN L.337	STIFT L=337

29	3007953	BOCCOLA D.18x12,5x21 PED.INV.	DOUILLE D.18X12,5X21	BUSH D.18x12,5x21	BUECHSE D.18X12,5X21
30	4399900	DADO AUTOBL.M 8 BASSO 6.S 7474	ECROU A' BLOCAGE AUTOMAT.	SELF-LOCKING NUT M8	SELBSTSICHERNDE MUTTER M8
31	4397649	VITE TE 6x50 8.8 PF ZNT 5737	VIS TE 6x50 8.8	SCREW 6x50 8.8	SCHRAUBE 6x50 8.8
32	3017116	MOLLA COMANDO PEDALE	RESSORT COMMANDE PEDALE	PEDAL CONTROL SPRING	FEDER
33	4399889	DADO M 6 6S ZNT 5588	ECROU M6	NUT M6	MUTTER M6
34	2035178	GR.VALVOLA STALLONATORE S. E.	SOUPAPE	VALVE UNIT	VENTIL
35	2033238	GR.VALVOLA AUTOC.AUT. LINEA	SOUPAPE	TURNTABLE VALVE	VENTIL
36	2002531	GR.VALVOLA RIBALT. LINEA	SOUPAPE	TILTING CONTROL VALVE	KIPPSTEUERVENTIL
37	3035999	PERNO X VALVOLA PEDALE STALL.	AXE	PIN	STIFT
38	4398783	SPINA ELASTICA D.4x24 6874	GOUPILLE D.4x24	SPRING PIN D.4x24	FEDERSTIFT D.4x24
39	2002444	GR.VALVOLA LINEA SENZA PERNO	GROUPE SOUPAPE SANS GOUJON	VALVE UNIT WITHOUT PIN	VENTIL
40	4198778	RACCORDO 6410 1/8"-8 S.RAPIDO	RACCORD RAPIDE 6410 1/8" - 8	QUICK UNION 6410 1/8" - 8	SCHNELLANSCHLUSS 6410 1/8" - 8
41	3099335	TUBO RILSAN D. 8X6 L=750	TUYAU RILSAN D.8x6 L=740	RILSAN HOSE D.8x6 L=750	SCHLAUCH D.8x6 L=750
42	3001342	TUBO RILSAN D. 8X6 L=1000	TUYAU RILSAN D.8x6 L=1000	RILSAN HOSE D.8x6 L=1000	SCHLAUCH 8x6 L=1000
44	3002446	TUBO RILSAN D. 8X6 L=100	TUYAU RILSAN D.8/6 L=100	RILSAN HOSE D.8/6 L=100	SCHLAUCH D.8x6 L=100
45	3002442	PERNO X VALVOLA GRIFFE/RIBALT.	AXE	VALVE PIN	STIFT
46	4199610	SILENZIATORE 1 SFE 1/8"	SILENCIEUX 1/8"	SILENCER 1/8"	SCHALLDAEMPFER 1/8"
47	4198954	RACCORDO 6510 1/8"-8 S.RAPIDO	RACCORD RAPIDE 6510 1/8"-8	QUICK UNION 6510 1/8"-8	SCHNELLANSCHLUSS 6510 1/8"-8
48	3000145	TUBO ELASTOLAN D. 8X6 L=350	TUYAU RILSAN D.8x6 L=350	RILSAN HOSE D.8x6 L=350	SCHLAUCH D.8x6 L=350
49	4299910	CAVALLOTTO GUIDA BIELLA	GUIDE-BIELLE	CONNECTING ROD GUIDE	PLEUELSTANGENFUEHRUNG
50	4399891	VITE AUTOF.TC+ 2,9x6,5 ZNT	VIS AUTOTARADEUSE 2,9x6,5	SELF-TAPPING SCREW 2,9x6,5	BLECHSCHRAUBE 2,9x6,5
51	4399894	MOLLA TAZZA 8,2X18X1 2093	RESSORT 8,2x18x1	BELLEVILLE WASHER 8,2x18x1	FEDER 8,2x18x1
52	4299912	BIELLA PER CAMME	BIELLE	CONNECTING ROD	PLEUELSTANGE
53	4299911	BALESTRA A FORCELLA	RESSORT A LAME	FORKED LEAF SPRING	GABELFEDER
54	4398274	VITE AUTOF. TCEI 5,5x26	VIS AUTOTARADEUSE 5,5x26	SELF-TAPPING SCREW 5,5x26	BLECHSCHRAUBE 5,5x26
55	4399122	ROND. DEN.ES."A" 8,4x15x0,8	RONDELLE D.8	TOOTHED WASHER 8,4x15x0,8	ZAHNSCHEIBE 8,4x15x0,8
56	4299913	CAMMA DOPPIA	CAME	DOUBLE CAM	DOPPELKAMM
57	3000218	TUBO RILSAN 6X4 L=1200	TUYAU RILSAN D.6x4 L=1200	RILSAN HOSE D.6x4 L=1200	SCHLAUCH 6x4 L=1200
58	3000146	TUBO RILSAN 6X4 L=750	TUYAU RILSAN D.6x4 L=750	RILSAN HOSE D.6x4 L=750	SCHLAUCH 6x4 L=750
59	3000212	TUBO RILSAN BINATO 6X4 L=2200	TUYAU RILSAN 6x4 L=2200	RILSAN HOSE 6x4 L=2200	SCHLAUCH 6x4 L=2200
60	4199928	RACCORDO 1631-02 1/8"	RACCORD 1/8"	UNION 1/8"	ANSCHLUSS 1/8"

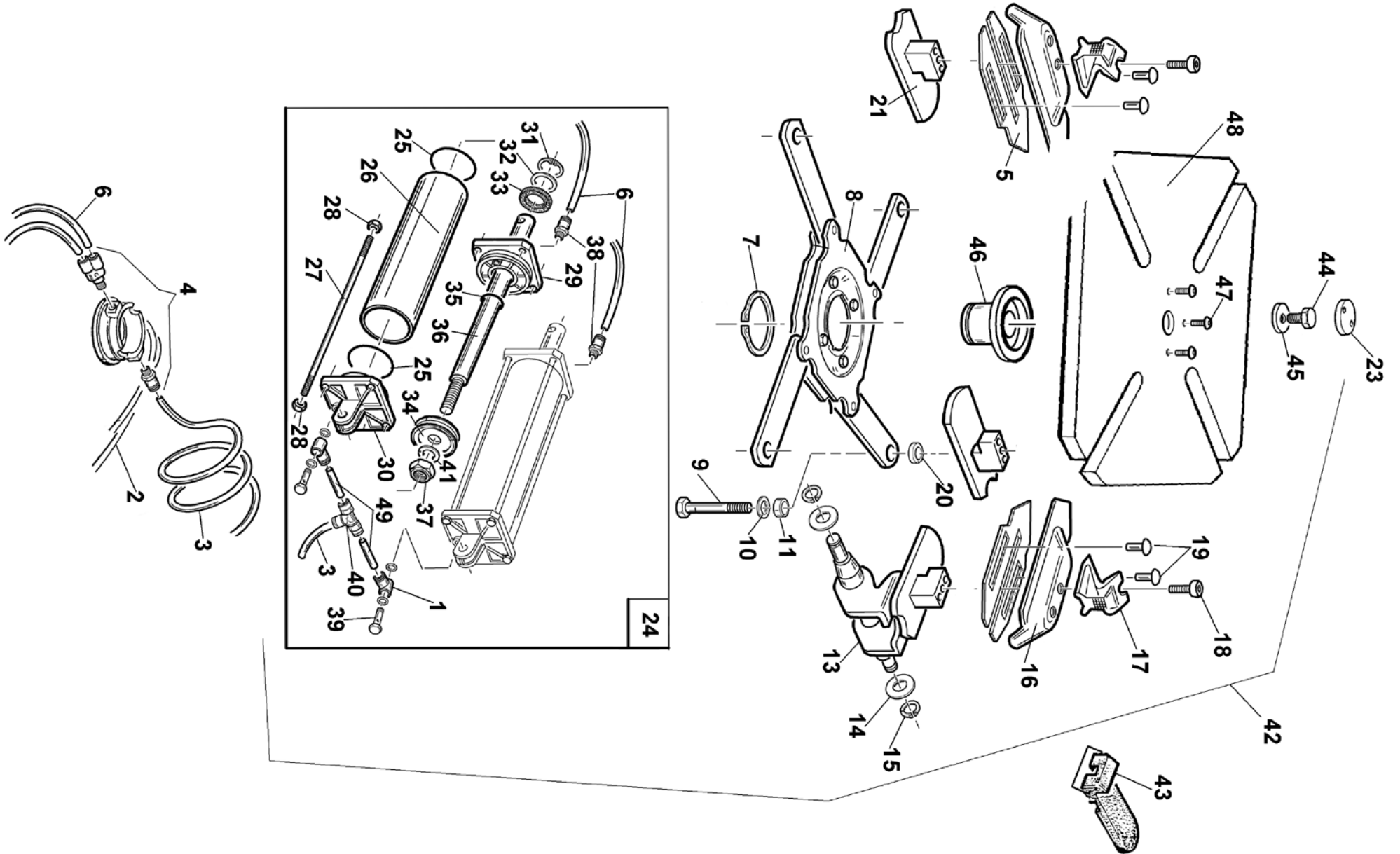
61	4197819	RACCORDO 6610 1/8" 8/6 S.RAP.	QUICK UNION 1/8" 8-6	RACCORD RAPIDE 1/8" 8-6	SCHNELLANSCHLUSS 1/8" 8-6
62	4199927	RACCORDO 6610 1/8" 6/4 S.RAP.	RACCORD 1/8" -6	UNION 1/8" -6	ANSCHLUSS 1/8" -6
63	4198954	RACCORDO 6512 1/8"-8 S.R. (DIRITTO+OR)	RACCORD 6510 1/8"-6 RAPIDE	QUICK UNION 1/8"-6	SCHNELLANSCHLUSS 1/8"-6
64	4199843	REGOL.SCAR.SILENZ.SVE 1/8"	REGLAGE SILENCIEUX 1/8"	SILENCER OUTLET ADJUSTER 1/8"	ABLASSAUSTEILER 1/8"
65	3001583	VALVOLA DISTRIB.-SENZA CHIAVET	SOUPAPE DISTRIBUTION	DISTRIBUTION VALVE	VENTIL
66	4299000	ANELLO OR 9,8x3,85	JOINT OR 9,8x3,85	O-RING 9,8x3,85	O-RING 9,8x3,85
67	3001584	DISTANZIALE X VALVOLA 3001583	ENTRETOISE	SPACER FOR VALVE 3001583	ABSTANDSSTUECK
68	3001585	FLANGIA X VALVOLA 3001583	BRIDE POUR SOUPAPE 3001583	FLANGE for VALVE 3001583	FLANSCH
69	4398999	VITE AUTOF. TCIC 3,5x13 6954	VIS AUTOTARADEUSE 3,5x13	SELF-TAPPING SCREW 3,5x13	BLECHSCHRAUBE 3,5x13
70	4198594	RACCORDO 6550 8/6 SUPERAP.	RACCORD RAPIDE	QUICK UNION	SCHNELLANSCHLUSS
71	4199929	RACCORDO 1631-01 1/8"	RACCORD 1/8"	UNION 1/8"	ANSCHLUSS 1/8"
72	3015340	SUPPORTO INVERT.	ETRIER DE SUPPORT	SUPPORT	WECHSLERSTUETZE
73	4398723	VITE TE 6x12	VIS 6x12	SCREW 6x12	SCHRAUBE 6x12
74	4399946	VITE TE 8x16 8.8 ZNT 5739	VIS 8x16	SCREW 8x16	SCHRAUBE 8x16
75	4399829	RONDELLA 8 (8,4x16x1,5)ZNT6592	RONDELLE 8 (8,4X16X1,5)	WASHER 8 (8,4x16x1,5)	BEILAGSSCHEIBE 8 (8,4x16x1,5)



1	7035379	BRACCIO STALLONATORE	BEAD BREAKING ARM	BRAS DECOLLEUR	WULSTABDRUECKARM
2	2135371	PALETTA STALL.D.20/30 W320-ZNT	PALE DECOLLE-TALONS	BEAD BREAKING PLATE	WULSTABDRUECKSCHAUFEL
3	4299952	POMOLO D.14	POMMEAU D.14	KNOB D.14	KUGELGRIFF D.14
4	4399945	VITE TE 16x100 8.8 P.F. 5737	VIS TE 16x100	SCREW TE 16x100	SCHRAUBE TE 16x100
5	4399963	DADO AUTOBL.M16 BASSO.6S. 7474	ECROU DE VERROUILLAGE M16	SELF-LOCKING NUT M16	SELBSTSICHERNDE MUTTER M16
6	3000114	MOLLA BRACCIO STALLONATORE	RESSORT BRAS DECOLLEUR	ARM SPRING	ARMFEDER
7	4399979	ANELLO SEEGER E D.30 7435	BAGUE SEEGER D.30	SEEGER RING D.30	SEEGER RING D.30
8	4399975	ANELLO SEEGER E D.20 7435	BAGUE SEEGER D.20	SEEGER RING D.20	SEEGER RING D.20
9	3007894	PERNO ORIENTABILE ASTA	PIVOT	PIVOT PIN	DREHZAPFEN
10	4393072	VITE TCEI M 6x70	SCREW 6x70	VIS 6x70	SCHRAUBE 6x70
11	4399998	RONDELLA 6 (6,4x12x1,6)ZNT6592	WASHER 6 (6,4x12x1,6)	RONDELLE 6 (6,4x12x1,6)	UNTERLEGSSCHEIBE 6 (6,4x12x1,6)
12	4399893	DADO AUTOBL.M 6 BASSO	SELF-LOCKING NUT M6	ECROU DE VERROUILLAGE M6	SELBSTSPERRENDE MUTTER M6
13	4398899	MOLLA TAZZA 14,3x34x1,5	RESSORT BELLEVILLE 14,3x34x1,5	BELLEVILLE SPRING 14,3x34x1,5	BELLEVILLE FEDER 14,3x34x1,5
14	4396941	DADO M14 6S BASSO ZNT 5589	ECROU M14	NUT M14	MUTTER M14

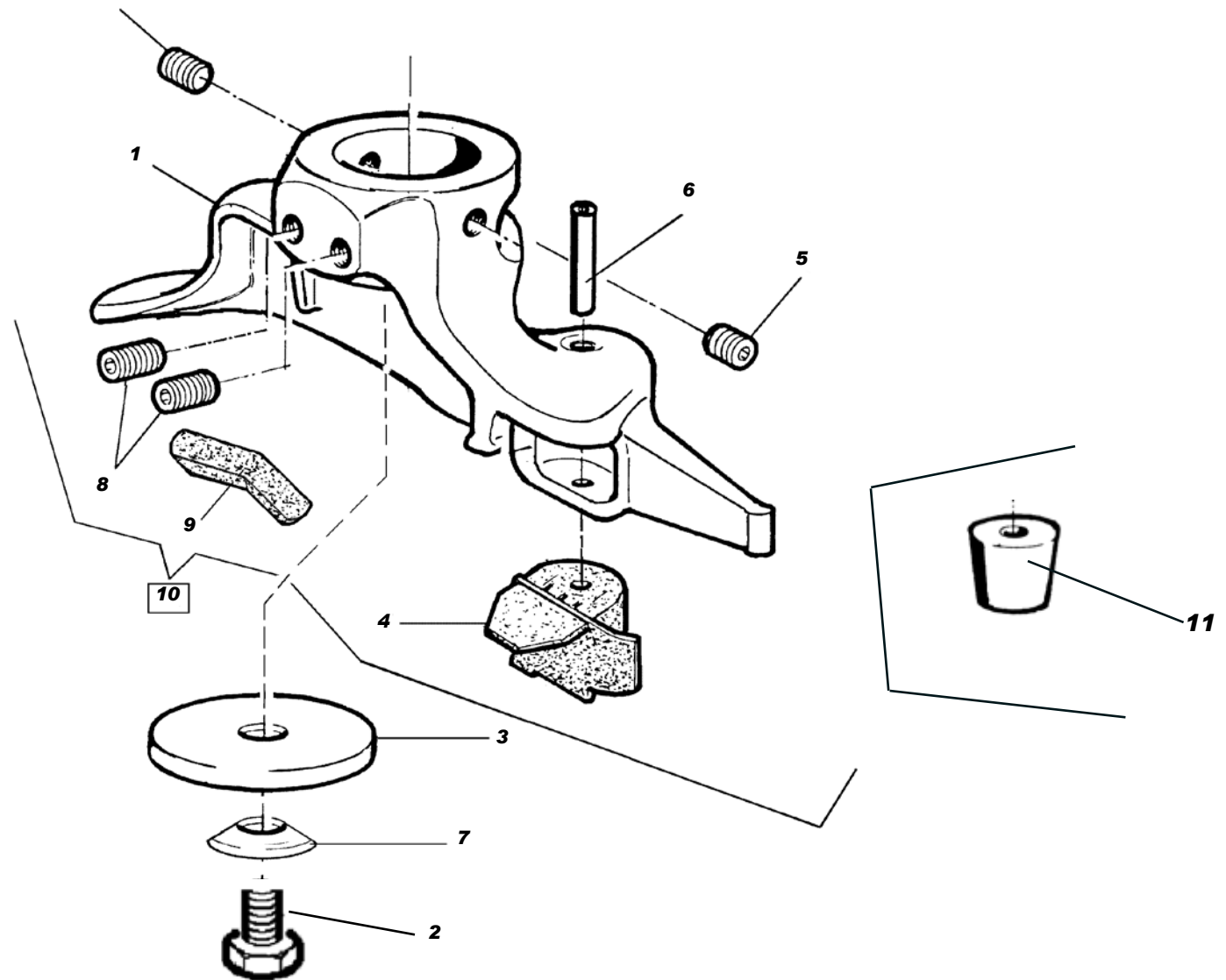


1	2035725	GR.CILINDRO STALL. D. 200 - TUBO ALU	BEAD BREAKER CYLINDER D.200	GR. VERIN DECOLLEUR D.200	WULSTABDRÜCKZYLINDER D.200
2	2008204	GR.VALVOLA SCAR.RAPIDO ST.MOON	QUICK RELIEF VALVE	CLAPET DECHARGE RAPIDE	SCHNELLABLASSVENTIL
3	4198808	SILENZIATORE 1/4" SPEC. D.24	SILENCER 1/4"	SILENCIEUX 1/4"	SCHALLDAEMPFER 1/4"
4	4199671	VALVOLA SCARICO RAPIDO DA 1/4"	QUICK RELIEF VALVE 1/4"	CLAPET DECHARGE RAPIDE 1/4"	SCHNELLABLASSVENTIL 1/4"
5	4198884	RACCORDO S6510 1/4"-8 S.R.	QUICK UNION 1/4"	RACCORD RAPIDE 1/4"	SCHNELLANSCHLUSS 1/4"
8	3035722	FLANGIA POSTERIORE CILINDRO STALL.	REAR FLANGE	BRIDE ARRIERE	HINTERFLANSCH
9	4398007	DADO FLANGIATO M6 ZNT DIN 6923	FLANGED NUT M6	ECROU BORDE" M6	FLANSCHMUTTER M6
10	4198578	RACCORDO 6520 1/4"-8/6 GIREV.	ROTATING UNION 1/4" 8-6	RACCORD PIVOTANT 1/4" 8-6	DREHANSCHLUSS 1/4" 8-6
11	3035721	CAMICIA CILINDRO STALLONATORE ALU	CYLINDER LINER	CHEMISE VERIN	ZYLINDERMANTEL
12	3035723	TIRANTE CILINDRO STALLONATORE	CYLINDER TIE ROD	TIRANT DE VERIN	ZYLINDERZUGSTANGE
13	3031738	ASTA CIL.STALL.S.E. D 200 (SHA)	CYLINDER SHAF	TIGE VERIN	ZYLINDERSCHAFT
14	4394969	DADO M18x1,5 MEDIO 5588 ZNT	NUT M18x1,5	ECROU M18x1,5	MUTTER M18x1,5
15	4193622	GUARNIZIONE 198X180X12	SEAL 198X180X12	JOINT 198X180X12	DICHTUNG 198X180X12
16	3035724	PISTONE CILINDRO STALLONATORE	CYLINDER PISTON	PISTON DE VERIN	ZYLINDERKOLBEN
17	4198145	ANELLO OR 4775 D.196,40x3,53	O-RING D.196,4x3,53	JOINT OR D.196,4x3,53	O-RING D.196,4x3,53
18	3000117	BOCCOLA PER CILINDRO STALL.	DOUILLE	BUSH	BUECHSE
19	4399943	VITE TCEI M12x35 12.9 5931	VIS M12x35 12.9	SCREW M12x35 12.9	SCHRAUBE M12x35 12.9
20	2135716	FLANGIA ANTERIORE CILINDRO STALL.	FRONT FLANGE	BRIDE AVANT	VORDERFLANSCH
23	4298823	FASCIA DI GUIDA ASTA CILINDRO	NYLON GUIDE	GUIDAGE EN NYLON	NYLONFUEHRUNG
24	4298168	ANELLO OR 3081 D.20,29x2,62	O-RING 20,29x2,62	JOINT OR D.20,29x2,62	O-RING 20,29x2,62
25	3199601	ANELLO RASCH.BID.L7 NSW 20 30 6/CO	SCRAPER	SEGMENT RACLEUR	KRATZSCHEIBE
26	4398146	RASAMENTO 24x30x1	STEEL SHIM 24x30x1	CALE EN ACIER 24x30x1	STAHLZWISCHENLAGE 24x30x1
27	3199599	ANELLO SEEGER I D.30 JV	SEEGER RING D.30	BAGUE SEEGER D.30	SEEGER-RING D.30
28	4398725	DADO AUTOBL.MA18 ALTO DIN 982	SELF-LOCKING NUT M18	ECROU DE VERROUILLAGE M18	SELBSTSICHERNDE MUTTER M18
29	3035977	AMMORTIZZATORE D. 22x75x20	AMORTISSEUR 22x75x20	SHOCK-ABSORBER D.22x75x20	STOSSDAEMPFER 22x75x20
30	3002832	SEDE AMMORTIZ.STALL.-ZNT B.	SIEGE AMORTISSEUR	SHOCK ABSORBER SEAT	STOSSDAEMPFRERSITZ

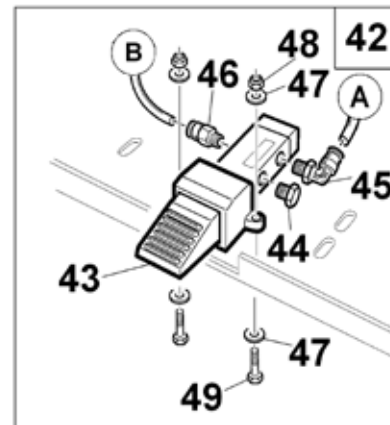
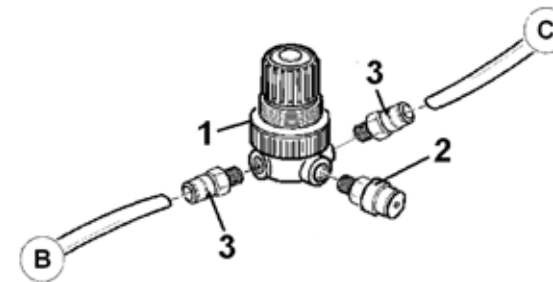
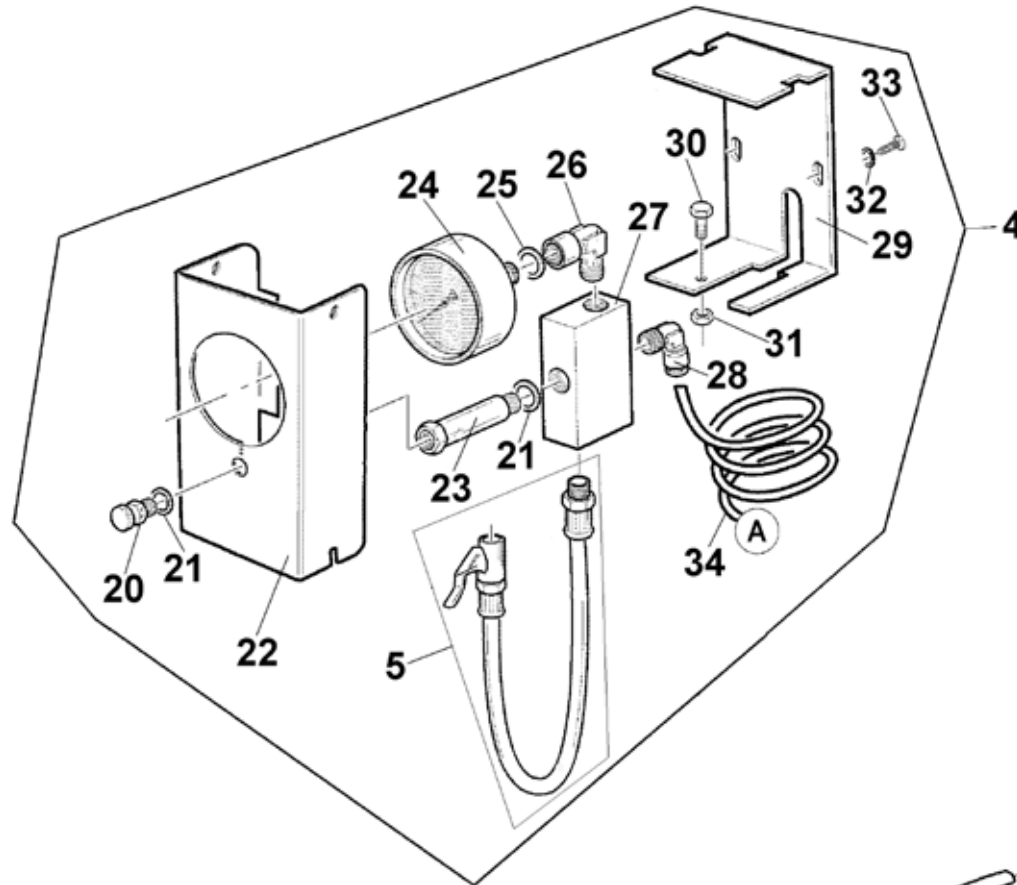


1	4197819	RACCORDO 6610 1/8" 8/6 S.RAP.	QUICK UNION 1/8" 8-6	RACCORD RAPIDE 1/8" 8-6	SCHNELLANSCHLUSS 1/8" 8-6
2	3099335	TUBO ELASTOLAN D. 8X6 L=750	HOSE 8x6 L=750	TUYAU 8x6 L=750	SCHLAUCH 8x6 L=750
3	3016820	SPIRALE RILSAN 8X6 L=560	RILSAN SPIRAL HOSE 8X6 L=560	TUYAU SPIRALE RILSAN 8X6 L=560	SPIRALENSCHLAUCH 8X6 L=560
4	4295067	RACCORDO GIREVOLE "Y"	ROTATING UNION	RACCORD PIVOTANT	DREHANSCHLUSS
5	3035974	PIASTRINA AUT.UNIF.19/20"	PLATE 19/20"	PLAQUE 19/20"	PLAETTCHEN 19/20"
6	3000898	TUBO ELASTOLAN D. 8X6 L=260	HOSE 8x6 L=260	TUYAU 8x6 L=260	SCHLAUCH 8x6 L=260
7	4399932	ANELLO SEEGER EST. D.62	SEEGER RING D.62	JOINT SEEGER D.62	SEEGER RING D.62
8	2007414	FLANGIA AUTOC.18-19-20-22 UNIF.	18/19/20" TURNTABLE FLANGE	BRIDE CENTREUR 18/19/20"	18/19/20" SELBSTZENTR. FLANSCH
9	4398838	VITE TE 12x1,25x45 8.8 PF	SCREW 12x1,25x45	VIS 12x1,25x45	SCHRAUBE 12x1,25x45
10	4398637	RONDELLA 12x21x2,5	WASHER D.12x21x2,5	RONDELLE D.12x21x2,5	BEILAGSSCHEIBE D.12x21x2,5
11	3006880	DISTANZIALE BIELLA UNIF.12x18x9	SPACER	ENTRETOISE	DISTANZSTUECK
12	2033215	GR. AUTOCENTRANTE + MOZZO NO GT	24" TURNTABLE NO GT	PLATEAU AUTOC. 24" NO GT	24" ZENTRIERTISCH NO GT
13	2133769	GUIDA SCORREVOLE PERNO	PIN SLIDE GUIDE	GUIDE COULISS. AXE	STIFT GLEITFUEHRUNG
14	4399981	RONDELLA 12 (13x24x2,5)	WASHER 12 (13x24x2,5)	RONDELLE 12 (13x24x2,5)	BEILAGSSCHEIBE 12 (13x24x2,5)
15	4399864	ANELLO SEEGER E D.12	SEEGER RING D.12	BAGUE SEEGER D.12	SEEGER-RING D.12
16	3006255	SCORREVOLE UNIF.	SLIDE	PATIN	SCHLITTEN
17	3002297	GRIFFA BLOCCAGGIO MAGGIORATA	CLAMP	MORS	SPANNKLAUE
18	4398037	VITE TCEI M10x1,25x25	SCREW 10x1,25x25	VIS 10x1,25x25	SCHRAUBE 10x1,25x25
19	3015187	PERNO GUIDA SCORREVOLE	GUIDE PIN	AXE GUIDAGE	FUEHRUNGSSTIFT
20	3006879	DISTANZIALE AUTOC. UNIF.	SPACER	ENTRETOISE	DISTANZSTUECK
21	2115755	GUIDA SCORREVOLE COMPLETA	COMPLETE SLIDE GUIDE	GUIDE COULISS. COMPLET	KOMPL. GLEITFUEHRUNG
23	3000062	PROTEZIONE CENTRALE PIATTO	PROTECTION	PROTECTION	SCHUTZ
24	2033767	GR.CILINDRO AUT.20" INT.	20" TURNTABLE CYLINDER	VERIN CENTREUR 20"	20" ZENTRIERTISCHZYLINDER
25	4298822	ANELLO OR 842 D.68,26x3,53	O-RING D.68,26x3,53	JOINT OR D.68,26x3,53	O-RING D.68,26x3,53
26	3008042	CAMICIA CIL. 20" L=345	CYLINDER LINER 20" L=345	CHEMISE VERIN 20" L=345	ZYLINDERMANTEL 20" L=345
27	3007941	VITE SPECIALE TE M8x369	SPECIAL SCREW M8x369	VIS SPECIALE 8x369	SONDERSCHRAUBE M8x369
28	4397678	DADO FLANGIATO M8	FLANGED NUT M8	ECROU BORDE" M8	FLANSCHMUTTER M8
29	3015024	FLANGIA ANTER.D.75-PRF	FLANGE	BRIDE	FLANSCH
30	3015023	FLANGIA POSTER.D.75-PRF	FLANGE	BRIDE	FLANSCH

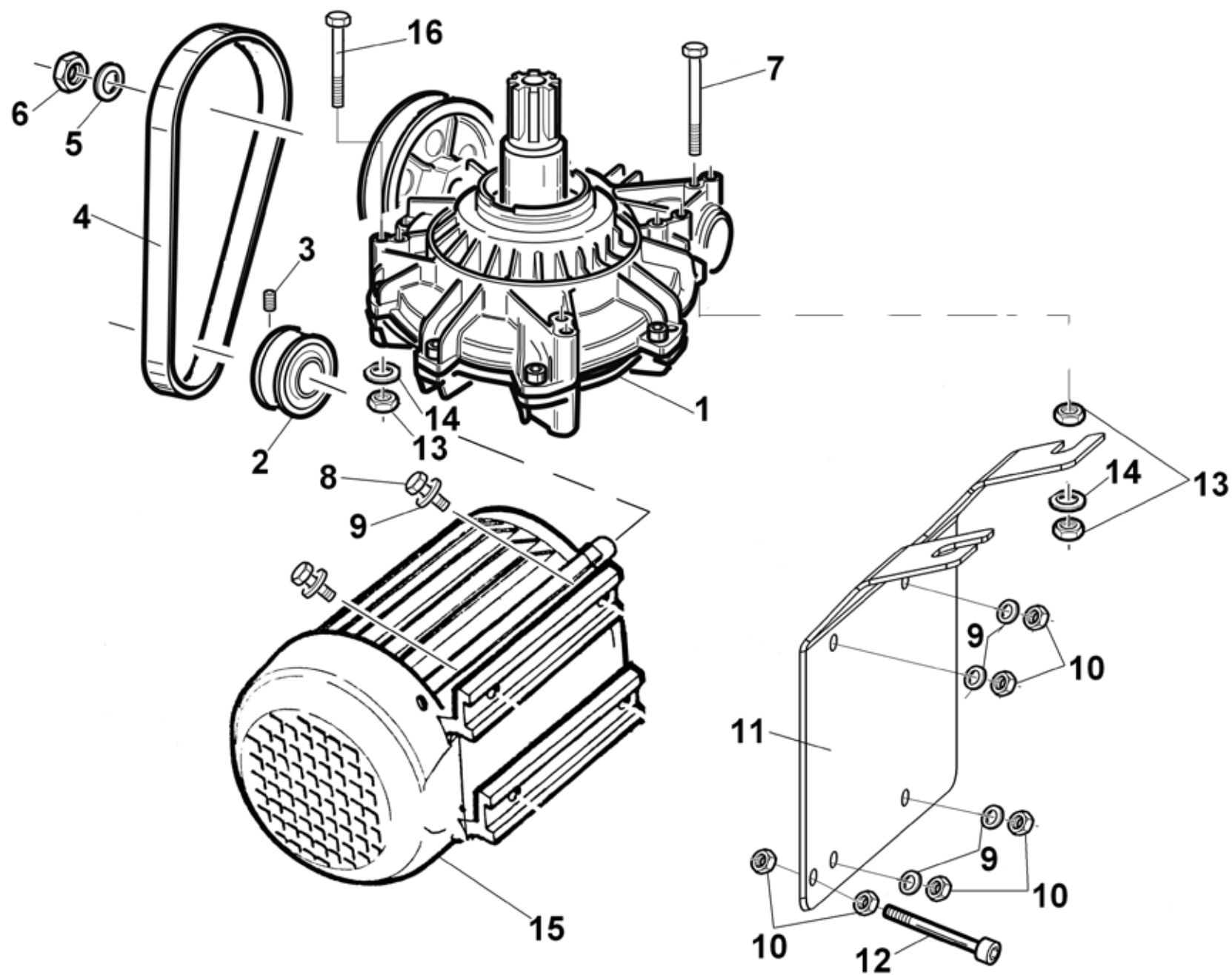
31	3199599	ANELLO SEEGER I D.30 JV	SEEGER RING D.30	BAGUE SEEGER D.30	SEEGER-RING D.30
32	4398146	RASAMENTO 24x30x1	STEEL SHIM 24x30x1	CALE EN ACIER 24x30x1	STAHLZWISCHENLAGE 24x30x1
33	3199601	ANELLO RASCH.BID.L7 NSW 20 30 6/CO	SCRAPER	SEGMENT RACLEUR	KRATZSCHEIBE
34	4198856	PISTONE MONOBLOCCO TDUOP D.75	PISTON D.75	PISTON D.75	KOLBEN D.75
35	4299168	ANELLO OR 3081 D.20,29x2,62	O-RING 20,29x2,62	JOINT OR D.20,29x2,62	O-RING 20,29X2,62
36	3002901	ASTA CILINDRO AUT.20" L=400	CYLINDER ROD 20" L=400	TIGE VERIN 20" L=400	ZYLINDERSTANGE 20" L=400
37	4399865	DADO AUTOBL.M12 BASSO.6S.	SELF-LOCKING NUT M12	ECROU DE VERROUILLAGE M12	SELBSTSICHERNDE MUTTER M12
38	4198954	RACCORDO 6512 1/8"-8 S.R.	QUICK UNION 1/8"	RACCORD RAPIDE 1/8"	SCHNELLANSCHLUSS 1/8"
39	4199929	RACCORDO 1631-01 1/8"	UNION 1/8"	RACCORD 1/8"	ANSCHLUSS 1/8"
40	4198978	RACCORDO 6540 8	UNION	RACCORD	ANSCHLUSS
41	4398753	RONDELLA 12,5x30x3	WASHER D.12,5x30x3	RONDELLE D.12,5x30x3	BEILAGSSCHEIBE D.12,5x30x3
42	2035615	GR.AUTOCENTRANTE OTTAG. SL	TURNTABLE	PLATEAU CENTREUR	ZENTRIERTISCH
43	3001468	PROTEZ.INTEGRALE GRIFFA COMPL.	CLAMP COVER	PROTECTION MORS	KLAUENSCHUTZ
44	4395179	VITE TE 16x1,5x45 8.8 ZNT 5740	SCREW TE 16x1,5x45 8.8 5740	VIS TE 16x1,5x45 8.8 5740	SCHRAUBE TE 16x1,5x45 8.8 5740
45	3009778	RONDELLA SPEC. D.16x47x13-ZNT	WASHER D.16x47x13	RONDELLE D.16x47x13	BEILAGSSCHEIBE D.16x47x13
46	3032956	MOZZO FILETTATO PIATTI AUTOC.	THREADED HUB	MOYEU FILETE'	GEWINDENABE
47	4399391	VITE TSPEI M 8x25 10.9 ZNT 5933	SCREW 8x25	VIS 8x25	SCHRAUBE 8x25
48	3035373	PIATTO AUTOCENTRANTE OTTAG. SL	TURNTABLE	PLATEAU CENTREUR	ZENTRIERTISCH
49	3016819	TUBO RILSAN D. 8X6 L=75	RILSAN HOSE D.8x6 L=75	TUYAU RILSAN D.8x6 L=75	SCHLAUCH 8x6 L=75



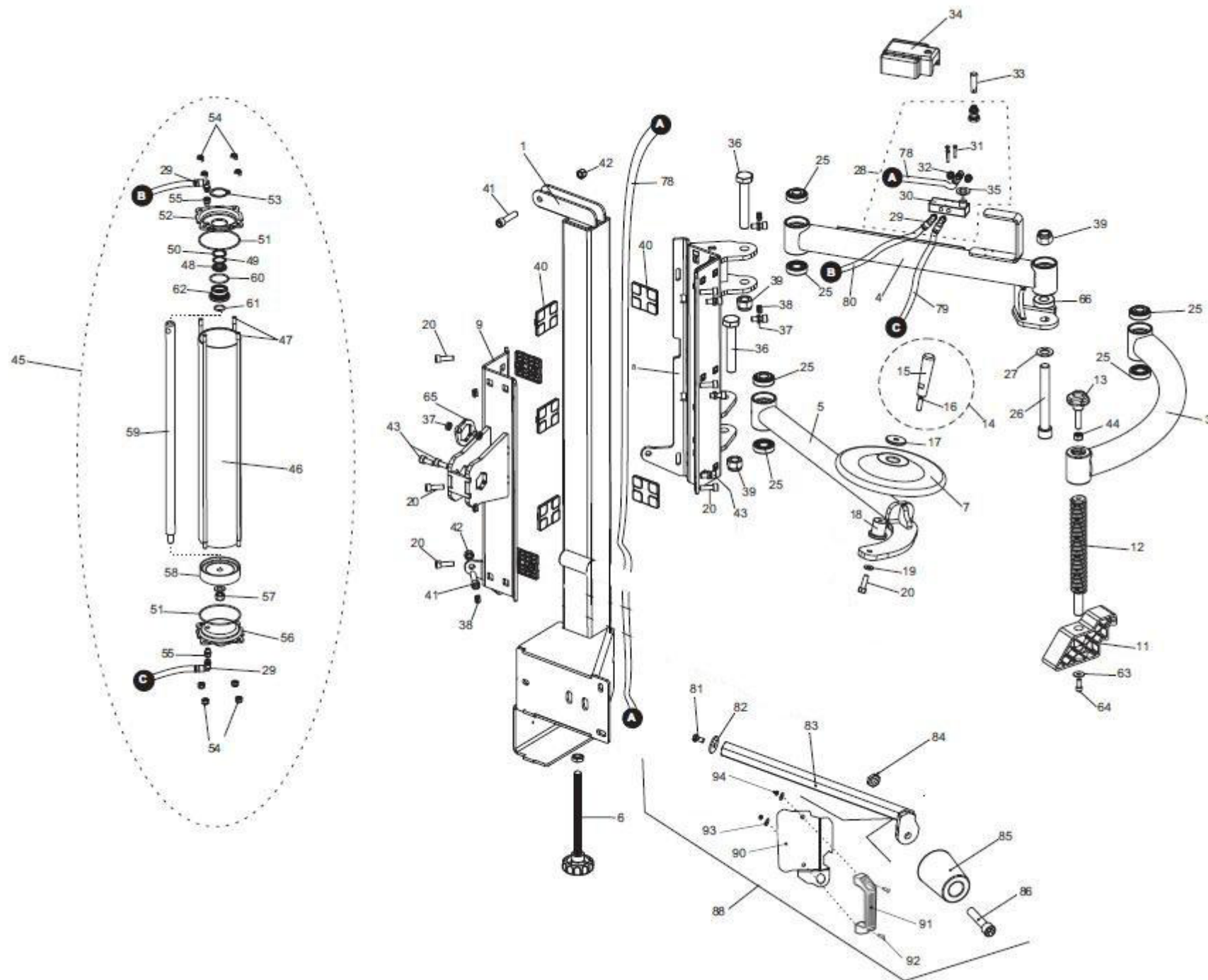
1	3015133	UTENSILE INTEGR.ORIENT. STRONG COMPL.	SWINGING MOUNTING HEAD STRONG	TETE DE MONTAGE STRONG	MONTIERWERKZEUG STRONG
2	4399953	VITE TE 10x16 8.8 5739	SCREW M10x16 8.8	VIS M10x16 8.8	SCHRAUBE M10x16 8.8
3	4395804	RONDELLA DIN6319 "G" 14,2x35x5	WASHER DIN6319 "G" 14,2x35x5	RONDELLE DIN6319 "G" 14,2x35x5	BEILAGSSCHEIBE DIN6319 "G" 14,2x35x5
4	3006689	INSERTO PLAST. X TORR. INTEGR.	PLASTIC INSERT	INSERT EN PLASTIQUE	PLASTIKEINSATZSTUECK
5	4395530	VITE STEI 12x12 P.COPPA 5927	SCREW STEI M12x12	VIS STEI M12x12	SCHRAUBE STEI M12x12
6	4399958	SPINA CIL.RETT. 5x24	PARALLEL PIN 5x24	AXE CYLINDRIQUE 5x24	ZYLINDERSTIFT 5x24
7	4395805	RONDELLA DIN6319 "C" 10,2x21x4	WASHER DIN6319 "C" 10,2x21x4	RONDELLE DIN6319 "C" 10,2x21x4	BEILAGSSCHEIBE DIN6319 "C" 10,2x21x4
8	4395529	VITE STEI 12x16 P.P.	SCREW 12x16	VIS 12x16	SCHRAUBE 12x16
9	3013650	INSERTO INFER. X TORR. INTEGR.	PLASTIC INSERT	INSERT EN PLASTIQUE	KUNSTSTOFFEINSATZSTUECK
10	2031851	TORRETTA INTEGR.OR.STRONG COMPL.	MOUNTING TOOL	OUTIL DE MONTAGE	
11	3000215	RULLINO PER UNGHIA	ROLLER	GALET	ROLLE

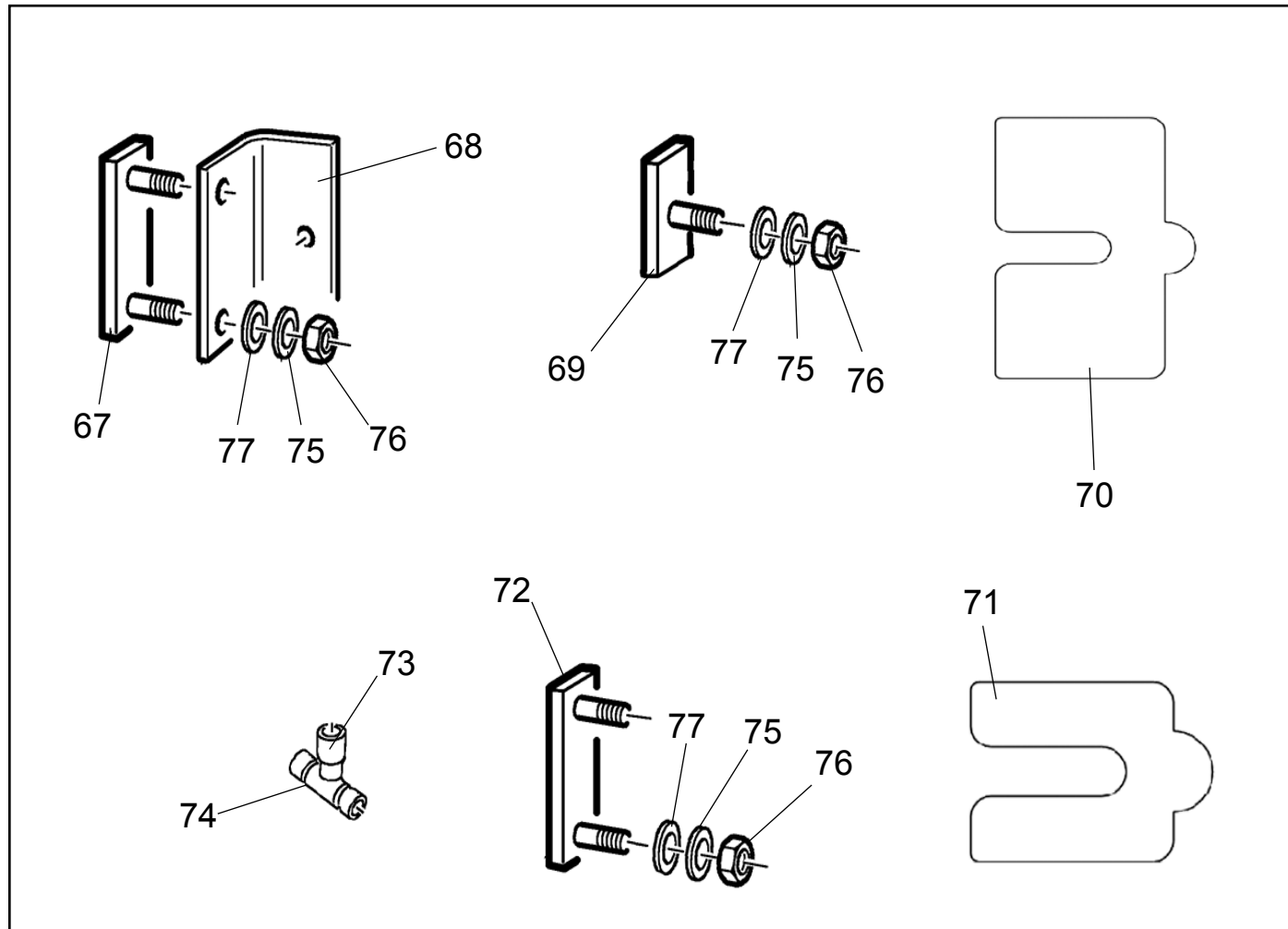


1	4198173	REGOLATORE 1/4" 0-3,5 BAR	REGULATEUR 1/4" 0-3,5 BAR	REGULATOR 1/4" 0-3,5 BAR	DRUCKREGLER 1/4" 0-3,5 BAR
2	4198435	VALV.SIC.1/8"0/4 BAR+RIV.+CAP.	SOUPAPE SECURITE' 1/8" 0/4 BAR	SAFETY VALVE 1/8" 0/4 BAR	SICHERHEITSVENTIL 1/8" 0/4BAR
3	4198884	RACCORDO 6510 1/4"-8 S.RAPIDO	RACCORD 6510 1/4"	UNION 6510 1/4"	ANSCHLUSS 6510 1/4"-8
4	2035987	CENTR.PNEU. GT CE	GT PNEUM. CONTROL UNIT	UNITE' DE CONTROL PNEUM. GT	DRUCKLUFTEINHEIT GT
5	2037129	GR.TUBO CENTR. GT L=1400	GT CONTROL UNIT HOSE L=1400	GR. TUYAU COM. GT L.1000	SCHLAUCH L=1400
20	4299354	PULSANTE DI SCARICO	RELIEF PUSHBUTTON	BOUTON-POUSSOIR DE DECH.	ABLASSKNOPF
21	4399256	ROND. RAME 1/4" (13x19x1,5)	WASHER 1/4" D.13x19x1,5	RONDELLE 1/4" D.13x19x1,5	KUPFERSCHEIBE 1/4" D.13x19x1,5
22	7015108	LAMIERA ANTERIORE GT	GT FRONT SHEET	TOLE GT AVANT	GT VORDERBLECH
23	4198670	COLONNETTA 1/4" H=43	STUD BOLT 1/4" H=43	COLONNETTE 1/4" H=43	BUNDSCHRAUBE 1/4" H=43
24	4299069	MANOMETRO CEE D. 80	PRESSURE GAUGE CEE D.80	MANOMETRE CEE D.80	MANOMETER CEE D.80
24A	3015120	MANOMETRO D.80 1200KPA-170PSI	PRESSURE GAUGE D.80 1200KPA	MANOMETRE D.80 1200KPA	MANOMETER D.80 1200KPA
25	4299000	ANELLO OR 9,8X3,85	O-RING 9,8x3,85	JOINT OR 9,8x3,85	O-RING 9,8x3,85
26	4198908	RACCORDO 2020 1/4" F/M	UNION 1/4"	RACCORD 1/4"	ANSCHLUSS 1/4"
27	3015111	RIPARTITORE 4 VIE F1/4"	DISTRIBUTION FRAME	REPARTITEUR	VERTEILER
28	4198883	RACCORDO S6500 1/4"-8 S.RAPIDO	QUICK UNION 1/4"	RACCORD RAPIDE 1/4"	RACCORD RAPIDE 1/4"
29	7015109	LAMIERA POSTERIORE GT	GT BACK SHEET	TOLE GT ARRIERE	GT HINTERBLECH
30	4399946	VITE TE 8x16 8.8 5739	SCREW M8x16 8.8	VIS M8x16 8.8	SCHRAUBE M8x16 8.8
31	4399976	DADO M 8 6S ZNT 5588	NUT M8	ECROU M8	MUTTER M8
32	4399903	RONDELLA 4	WASHER 4	RONDELLE 4	BEILAGSSCHEIBE 4
33	4398945	VITE AUTOPERFORANTE TCB 4x12,6	SELF-TAPPING SCREW 4x12,6	VIS AUTOTARADEUSE 4x12,6	BLECHSCHRAUBE 4x12,6
34	3000635	SPIRALE RILSAN 8X6 L=2300	RILSAN HOSE D.8x6 L=2300	SPIRALE RILSAN D.8x6 L=2300	SPIRALSCHLAUCH 8x6 L=2300
42	2035818	GR. PEDALE GONFIAGGIO	CONTROL PEDAL	PEDALE DE COMMANDE	STEUERPEDAL
43	4193204	VALVOLA PEDALE GONF. K23-R7-L8	VALVE	SOUPAPE	VENTIL
44	4199485	TAPPO MASCHIO ZINCATO 1/4-2611	PLUG 1/4"	BOUCHON 1/4"	VERSCHRAUBUNG 1/4"
45	4198578	RACCORDO 6520 1/4"-8/6 GIREV.	UNION 1/4"	RACCORD 1/4"	ANSCHLUSS 1/4"
46	4198884	RACCORDO S6510 1/4"-8 S.R.	QUICK UNION 1/4"	RACCORD RAPIDE 1/4"	SCHNELLANSCHLUSS 1/4"
47	4399998	RONDELLA 6 (6,4x12x1,6)ZNT6592	WASHER 6 (6,4x12x1,6)	RONDELLE 6 (6,4x12x1,6)	UNTERLEGSSCHEIBE 6 (6,4x12x1,6)
48	4399893	DADO AUTOBL.M 6 BASSO.6S. 7474	SELF-LOCKING NUT M6	ECROU DE VERROUILLAGE M6	SELBSTSICHERNDE MUTTER M6
49	4399892	VITE TE 6x20 8.8 ZNT 5739	SCREW 6x20	VIS 6x20	SCHRAUBE 6x20



1	4293187	RIDUTT. PICCOLO SMTG AUTO	REDUCTION GEAR UNIT	GROUPE REDUCTEUR	REDUKTORAGGREGAT
2	2100166	PULEGGIA MOTORE	MOTOR PULLEY	POULIE MOTEUR	MOTORSCHLEIBE
3	4399922	VITE STEI 8x14 P.CIL. 5925	SCREW 8x14	VIS 8x14	SCHRAUBE 8x14
4	4299923	CINGHIA	BELT	COURROIE	RIEMEN
5	4398807	RONDELLA 14 (15x28x2,5)ZNT6592	WASHER 14 (15x28x2,5)	RONDELLE 14 (15x28x2,5)	SCHLEIBE 14 (15x28x2,5)
6	4396941	DADO M14 6S BASSO ZNT 5589	NUT M14	ECROU M14	MUTTER M14
7	4395644	VITE TE 10x160 8.8 PF ZNT 5737	SCREW TE 10x160	VIS TE 10x160	SCHRAUBE TE 10x160
8	4399935	VITE TE 8x25 8.8 ZNT 5739	SCREW 8x25	VIS 8x25	SCHRAUBE 8x25
9	4399829	RONDELLA 8 (8,4x16x1,5)ZNT6592	WASHER 8 (8,4x16x1,5)	RONDELLE 8 (8,4x16x1,5)	UNTERLEGSSCHLEIBE 8 (8,4x16x1,5)
10	4399976	DADO M 8 6S ZNT 5588	NUT M8	ECROU M8	MUTTER M8
11	3035672	SUPP. MOTORE	MOTOR SUPPORT	SUPPORT DE MOTEUR	MOTORLAGER
12	4399297	VITE TCEI M 8x130 8.8 ZNT 5931	SCREW 8x130	VIS 8x130	SCHRAUBE 8x130
13	4399969	DADO M10 6S ALTO ZNT 5587	NUT M10	ECROU M10	MUTTER M10
14	4395085	RONDELLA 10 (10,5x25x2)ZNT6592	WASHER 10 (10,5x25x2)	RONDELLE 10 (10,5x25x2)	BEILAGSSCHLEIBE (10,5x25x2)
15	4599924	MOTORE EL.3PH 230/400V 50Hz-SMTG T	3PH MOTOR 230/400V 50H	MOTEUR 3PH 230/400V 50H 3PH	MOTOR 230/400V 50H
15 A	3993913	MOTORE EL.1PH 230V 0,75KW 50Hz -T	1PH MOTOR 230V 0,75KW 50Hz	MOTEUR 1PH 230V 0,75KW 50Hz	MOTOR 1PH 230V 0,75KW 50Hz
16	4393184	VITE TE 10x150 8.8 PF ZNT 5737	SCREW TE 10x150	VIS TE 10x150	SCHRAUBE TE 10x150



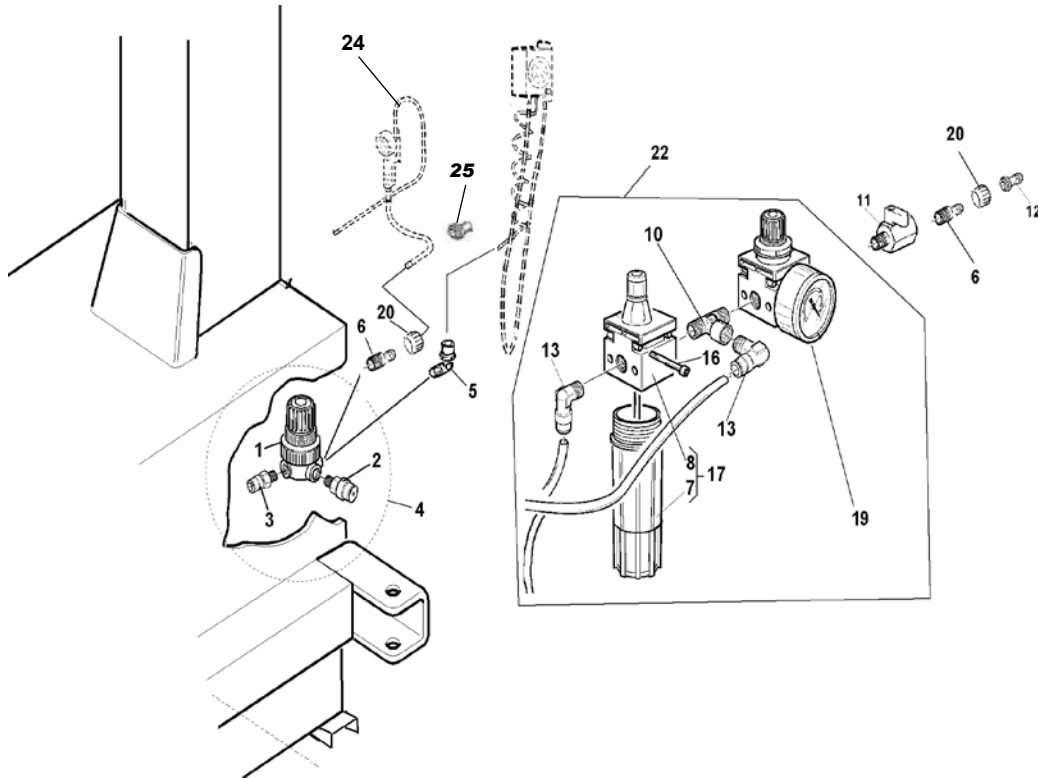
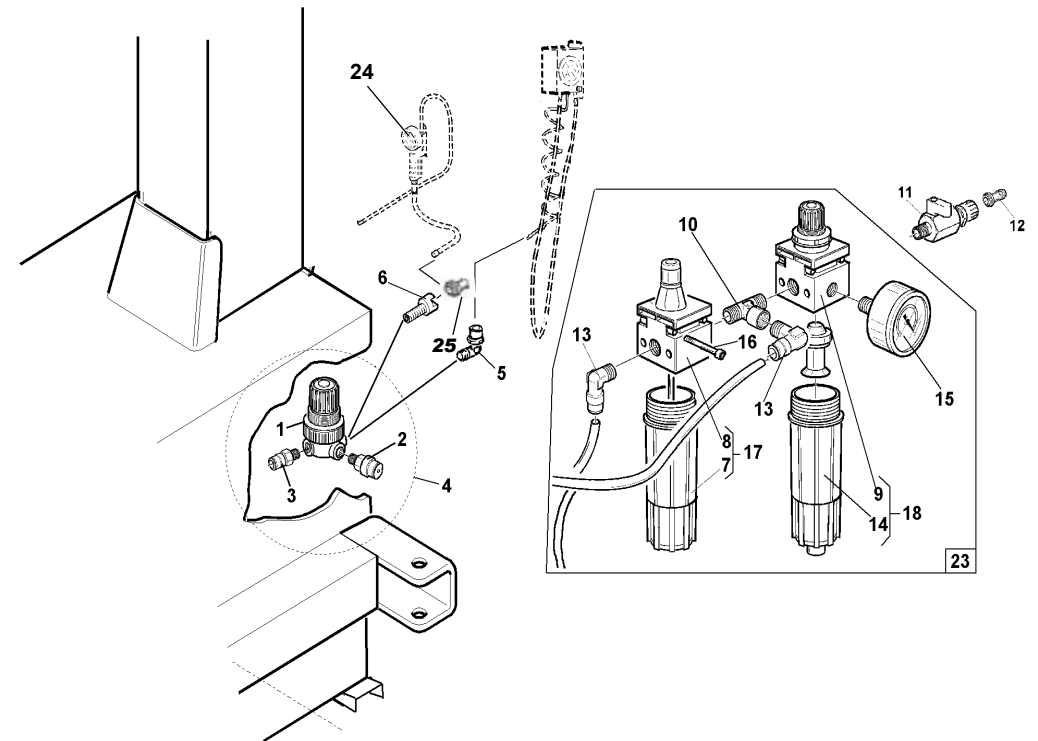


1	7019610	BASE HP2	HP2 POST	HP2 SAEULE	HP2 COLONNE
3	7019749	BRACCIO SUP. CURVO D.60 HP2	BENT ARM D.60	BRAS COURBE D.60	GEKRUEMMTER ARM D.60
4	7019750	BRACCIO DRITTO D.60 HP2	STRAIGHT ARM D.60	BRAS DROIT D.60	GERADER ARM D.60
5	7019751	BRACCIO DISCO HP2 INFERIORE	DISC HOLD ARM	BRAS SUPPORT DISQUE	SCHEIBETRAGARM
6	2036341	VOLANTINO M16 L=280	HAND WHEEL M16	VOLANT M16	HANDRAD M16
7	3006886	DISCO STALLONATORE	BEAD BREAKING DISK	DISQUE DECOLLE-TALONS	WULSTABDRUECKPLATTE
8	7019617	CARRELLO ESTERNO HP2	OUTER CARRIAGE	CHARIOT EXTERIEUR	AUSSENSCHLITTEN
9	7019621	CARRELLO INTERNO HP2 - NERO	INNER CARRIAGE	CHARIOT INTERIEUR	INNENSCHLITTEN
11	3017440	PREMITALLONE P.A. BOSS	BEAD PRESSING TOOL	PRESSE TALON	WULSTDRUECKER
12	3019748	VITE TAMPONE HP2	SCREW	VIS	SCHRAUBE
13	4293924	VOLANTINO THP D.50 M12 L=50	HAND WHEEL THP D.50 M12 L=50	VOLANT THP D.50 M12 L=50	HANDRAD THP D.50 M12 L=50
14	2012683	GR.IMPUGNATURA+VITE STEI M10	HANDLE+SCREW	POIGNEE+VIS	HANDGRIFF+SCHRAUBE
15	3010283	IMPUGNATURA D.25 M10 ZINC. B.	HANDLE D.25 M10	POIGNEE D.25 M10	HANDGRIFF D.25 M10
16	4398284	VITE STEI 10x30 P.P. 5923	SCREW 10x30	VIS 10X30	SCHRAUBE 10x30
17	4395669	RONDELLA 10 (11x40x2,5)ZNT6592	WASHER 10 (11x40x2,5)	RONDELLE 10 (11x40x2,5)	BEILAGSSCHEIBE 10 (11x40x2,5)
18	3006862	PERNO SUP.DISCO ST.BRUNITO	DISK PIN	AXE DISQUE	PLATTENSTIFT
19	4399378	RONDELLA 10 (10,5x21x2)ZNT6592	WASHER D.10 (10,5x21x2)	RONDELLE D.10 (10,5x21x2)	BEILAGSSCHEIBE 10 (10,5x21x2)
20	4393900	VITE TCEI 10x30 8.8 ZNT 5931	SCREW TCEI 10x30 8.8	VIS TCEI 10x30 8.8 ZNT 5931	SCHRAUBE TCEI 10x30 8.8
25	4296944	CUSCINETTO RULLI CONICI 30204	BEARING	COUSSINET	UNTERLAGE
26	4393902	VITE TCEI 20x160 12.9 5739	SCREW TCEI 20x160 12.9	VIS TCEI 20x160 12.9	SCHRAUBE TCEI 20x160 12.9
27	4399813	RONDELLA 20 (21x37x3) ZNT 6592	WASHER 20 (21x37x3)	RONDELLE 20 (21x37x3)	BEILAGSSCHEIBE 20 (21x37x3)
28	2019757	GR.VALVOLA HP2	VALVE UNIT	GR. CLAPET	VENTIL
29	4198618	RACCORDO 6522 1/8"-6 (90°-GIR.+ OR)	UNION 1/8"	RACCORD 1/8"	ANSCHLUSS 1/8"
30	4198285	VALVOLA 5 VIE 228-53-31-9-1/2	5-WAY VALVE	SOUPAPE A" 5 VOIES	FUENFWEGEVENTIL
31	4399897	VITE TE 4x25 8.8 PF ZNT 5737	SCREW 4x25	VIS 4x25	SCHRAUBE 4x25
32	4199610	SILENZIATORE 1 SFE 1/8" OTTONE C/RETE	SILENCER 1/8"	SILENCIEUX 1/8"	SCHALLDAEMPFER 1/8"
33	3010284	POMOLO D.14x45 FORO M5 ZNT	KNOB D.14x45 M5	POMMEAU D.14x45 M5	KUGELGRIFF D.14x45 M5
34	3019779	CARENATURA ABS HP2 NERO	ABS FRAME	COUVERTURE EN ABS	ABS ABDECKUNG
35	4399828	RONDELLA 16 (17x30x3) ZNT 6592	WASHER 16 (17x30x3)	RONDELLE 16 (17x30x3)	BEILAGSSCHEIBE 16 (17x30x3)

36	4393899	VITE TE 20X120 8.8 P.F. ZNT 5737	VITE TE 20X120 8.8 P.F.	VIS TE 20X120 8.8 P.F.	SCHRAUBE TE 20X120 8.8 P.F.
37	4399967	DADO M10 6S BASSO ZNT 5589	NUT M10	ECROU M10	MUTTER M10
38	4399971	DADO AUTOBL.M10 BASSO.6S. 7474	SELF-LOCKING NUT M10	ECROU DE VERROUILLAGE M10	SELBSTSICHERNDE MUTTER M10
39	4394164	DADO AUTOBL.M20 BASSO H.20 7474	SELF-LOCKING NUT M20 LOW H.20	ECROU DE SECURITE' M20 H.20	SELBSTSICHERNDE MUTTER M20 H.20
40	3019627	PATTINO HP 2	SLIDING BLOCK	PATIN	GLEITSCHUH
41	3000599	PERNO X CROC. M12 L=50 TCEI (12.9)	PIN M12 L=50	AXE M12 L=50	STIFT M12 L=50
42	4399865	DADO AUTOBL.M12 BASSO.6S. 7474	SELF-LOCKING NUT M12	ECROU DE VERROUILLAGE M12	SELBSTSICHERNDE MUTTER M12
43	4393900	VITE TCEI 10x30 8.8 ZNT 5931	SCREW TCEI 10x30 8.8	VIS TCEI 10x30 8.8	SCHRAUBE TCEI 10x30
44	4395556	DADO M12 MEDIO ZNT 5588	NUT M12	ECROU M12	MUTTER M12
45	2019628	GR. CILINDRO D.90 HP 2	CYLINDER UNIT D.90	GR. VERIN D.90	ZYLINDER D.90
46	3019629	CAMICIA CIL. D.90 L=510,5	CYLINDER LINER D.90 L=510,5	CHEMISE VERIN D.90 L=510,5	ZYLINDERMANTEL D.90 L=510,5
47	3019631	VITE SPECIALE TE M8x543 ZNT B.	SPECIAL SCREW TE M8x543	VIS SPECIALE TE M8x543	SONDERSCHRAUBE TE M8x543
48	3199601	ANELLO RASCH.BID.L7 NSW 20 30 6/CO	SCRAPER	SEGMENT RACLEUR	KRATZSCHEIBE
49	4398146	RASAMENTO 24x30x1	STEEL SHIM 24x30x1	CALE EN ACIER 24x30x1	STAHLZWISCHENLAGE 24x30x1
50	3199599	ANELLO SEEGER I D.30 JV	SEEGER RING D.30	BAGUE SEEGER D.30	SEEGER-RING D.30
51	4293965	ANELLO OR 3325 82,22X2,62	ORING 3325 82,22X2,62	JOINT TORIQUE 3325 82,22X2,62	ORING 3325 82,22X2,62
52	3019632	FLANGIA ANT. CILINDRO D.90 - ZNT	CYLINDER FRONT FLANGE	FLASQUE AVANT VERIN	ZYLINDERVORDERFLANSCH
53	4394721	ANELLO SEEGER E D.36 7435	SEEGER RING D.36 7435	JOINT SEEGER D.36 7435	SEEGER RING D.36 7435
54	4399900	DADO AUTOBL.M 8 BASSO 6.S 7474	SELF-LOCKING NUT M8	ECROU DE VERROUILLAGE M8	SELBSTSPERRENDE MUTTER M8
55	4198921	COLONNETTA M/F 1/8" 2525 H=16	STUD BOLT 1/8" H=16	COLONNETTE 1/8" H=16	BUNDSCHRAUBE 1/8" H=16
56	2119633	FLANGIA POSTERIORE CIL. D.90-ZNT	CYLINDER BACK FLANGE	FLASQUE ARRIERE VERIN	ZYLINDERHINTERFLANSCH
57	4399865	DADO AUTOBL.M12 BASSO.6S. 7474	SELF-LOCKING NUT M12	ECROU DE VERROUILLAGE M12	SELBSTSICHERNDE MUTTER M12
58	4193964	PISTONE MONOBLOCCO TDUOP D.90	PISTON D.90	PISTON D.90	KOLBEN D.90
59	3006649	ASTA CIL. HELP 2/3 L=561	CYLINDER ROD L=561	TIGE VERIN L=561	ZYLINDERSTANGE L=561
60	4294713	ANELLO OR 3150 37,77x2,62	ORING 3150 37,77x2,62	JOINT TORIQUE 3150 37,77x2,62	ORING 3150 37,77x2,62
61	4299168	ANELLO OR 3081 D.20,29x2,62	O-RING 20,29x2,62	JOINT OR D.20,29x2,62	O-RING 20,29X2,62
62	3017346	BOCCOLA GUARNIZIONI	SEALS BUSH	DOUILLE DE JOINTS	DICHTUNGSBUECHSE
63	4399863	RONDELLA 8 (9x24x2) ZNT 6593	WASHER 8 (9x24x2)	RONDELLE 8 (9x24x2)	BEILAGSSCHEIBE 8 (9x24x2)
64	4399954	VITE TCEI M 8x20 8.8 ZNT 5931	SCREW 8x20	VIS 8x20	SCHRAUBE 8x20
65	3019932	PIASTR.ESAG.RIPRESA GIOCO - ZNT	HEX. PLATE	PLAQUE HEXAG.	SECHSKANTPLATTE
66	3019934	RONDELLA SPECIALE HP2	SPECIAL WASHER	RONDELLE SPECIALE	SONDERSCHEIBE
67	2110301	CAVALLOTTO FISS. H3 S113-BRUN.	U BOLT	CRAMPILLON	KRAMPE

68	7019832	STAFFA SUP.POST.HP2 - NERO	SUPPORT PLATE	PLAQUE DE SUPPORT	STUETZPLAETTCHEN
69	2108784	VITE ANTIROTAZIONE H.3-BRUN.	ANTIROTATION SCREW H.3	VIS ANTIROTATION H.3	DREHSICHERE SCHRAUBE H.3
70	3019834	SPESSORE POSTERIORE HP2 - BRUNIT.	BACK SPACER	CALE ARRIERE	HINTERABSTANDSSTUECK
71	3019833	SPESSORE ANTERIORE HP2 - BRUNIT.	FRONT SPACER	CALE AVANT	VORDERABSTANDSSTUECK
72	2108782	CAVALLOTTO FISSAGGIO H.3-BRUN.	U BOLT	CRAMPILLON	KRAMPE
73	4198172	RACCORDO 6463 1/8"-6	UNION 1/8"	RACCORD 1/8"	ANSCHLUSS 1/8"
74	4198778	RACCORDO 6410 1/8"-8 S.RAPIDO	6410 QUICK UNION 1/8"-8	RACCORD 6410 1/8" -8 RAPIDE	SCHNELLANSCHLUSS 1/8"-8
75	4398662	ROND.GROWER D.10 ZNT 1751	GROWER WASHER D.10	RONDELLE GROWER D.10	BEILAGSSCHEIBE GROWER D.10
76	4399969	DADO M10 6S ALTO ZNT 5587	NUT M10	ECROU M10	MUTTER M10
77	4399378	RONDELLA 10 (10,5x21x2)ZNT6592	WASHER D.10 (10,5x21x2)	RONDELLE D.10 (10,5x21x2)	BEILAGSSCHEIBE 10 (10,5x21x2)
78	3019760	TUBO ELASTOLAN 6X4 NERO L=3000	HOSE 6x4 L=3000	TUYAU 6x4 L=3000	SCHLAUCH 6x4 L=3000
79	3019759	TUBO ELASTOLAN 6X4 BLU L=1450	HOSE 6x4 L=1450	TUYAU 6x4 L=1450	SCHLAUCH 6x4 L=1450
80	3019758	TUBO ELASTOLAN 6X4 BIANCO L=1050	HOSE 6x4 L=1050	TUYAU 6x4 L=1050	SCHLAUCH 6x4 L=1050
81	4399966	VITE TE 10x20 8.8	SCREW 10x20	VIS 10x20	SCHRAUBE 10x20
82	3002311	RONDELLA D.10,5x45x4	WASHER D.10,5x45x4	RONDELLE D.10,5x45x4	BEILAGSSCHEIBE D.10,5x45x4
83	7030632	BRACCIO ESAG.SUPP.RULLO HP2	ROLLER ARM	GR. BRAS ROULEAU	ROLLE UND ARM
84	4399810	DADO M20 6S BASSO	NUT M20	ECROU M20	MUTTER M20
85	3008433	RULLO ST.D.100 L120 NYLON NERO	ROLLER D.102 L=120	GALET D.102 L=120	ROLLE D.102 L=120
86	4397454	VITE TCEI M20x90 8.8	SCREW 20x90	VIS 20x90	SCHRAUBE 20x90
88	2030671	GR. BRACCIO RULLO X HP 2	ROLLER ARM UNIT X HP2	GR. BRAS ROULEAU X HP2	ROLLE UND ARM X HP2
90	2131224	LAMIERA SUPPORTO MANIGLIA - NERO	SUPPORT SHEET	SUPPORT CLAPET	STUETZBLECH
91	4297851	MANIGLIA A PONTE ABS PICCOLA	HANDLE	POIGNEE	HANDGRIFF
92	4399954	VITE TCEI M 8x20 8.8 ZNT 5931	SCREW 8x20	VIS 8x20	SCHRAUBE 8x20
93	4399829	RONDELLA 8 (8,4x16x1,5)ZNT6592	WASHER 8 (8,4x16x1,5)	RONDELLE 8 (8,4X16X1,5)	BEILAGSSCHEIBE 8 (8,4x16x1,5)
94	4399900	DADO AUTOBL.M 8 BASSO 6.S 7474	SELF-LOCKING NUT M8	ECROU DE VERROUILLAGE M8	SELBSTSPERRENDE MUTTER M8

STANDARD


CON FILTRO REGOLATORE
WITH FILTER REGULATOR
AVEC FILTRE REGULATEUR
MIT FILTERREGLER


1	4198173	REGOLATORE 1/4" 0-3,5 BAR	REGULATEUR 1/4" 0-3,5 BAR	REGULATOR 1/4" 0-3,5 BAR	DRUCKREGLER 1/4" 0-3,5 BAR
2	4198435	VALV.SIC.1/8"0/4 BAR+RIV.+CAP.	SOUPAPE SECURITE' 1/8" 0/4 BAR	SAFETY VALVE 1/8" 0/4 BAR	SICHERHEITSVENTIL 1/8" 0/4BAR
3	4198884	RACCORDO 6510 1/4"-8 S.RAPIDO	RACCORD 6510 1/4"	UNION 6510 1/4"	ANSCHLUSS 6510 1/4"-8
4	T2010781	GR.REGOLAT.4 BAR USC. GT CE	GRUPPE REGULATEUR PRESS. 4BAR	4 BAR PRESSURE REGULATOR UNIT	4 BAR-DRUCKREGLERGRUPPE
5	4198578	RACCORDO 6520 1/4"-8/6 GIREV.	RACCORD 6520 1/4"8/6	ROTATING UNION 1/4"-8/6	VERSCHRAUBUNG 6520 1/4"-8/6
6	4199797	RACCORDO 9A/M 1/4"	RACCORD 9A/M 1/4"	UNION 9A/M 1/4"	ANSCHLUSS 9A/M 1/4"
7	4196316	TAZZA LUBRIFICATORE	CUVE DU LUBRIFICATEUR	LUBRICATOR CUP	SCHMIERBECHER
8	4196315	CORPO LUBRIFICATORE	CORPS LUBRIFICATEUR	LUBRICATOR	SCHMIERER
9	4196313	CORPO FILTRO REGOLATORE	CORPS FILTRE	FILTER BODY	FILTERKÖRPER
10	4198973	RACCORDO 2070 1/4" MFM	RACCORD 2070 1/4"	UNION	ANSCHLUSS 2070 1/4"
11	4196354	VALVOLA MVS 2901 DF 1/4"	SOUPAPE MVS 2901 DF 1/4"	VALVE MVS 2901 DF 1/4"	VENTIL MVS 2901 DF 1/4"
12	4199987	ATTACCO RESCA 2P 1/4 8	ATTELAGE	UNION 1/4	VERBINDUNG
13	4198883	RACCORDO 6500 1/4"-8 S.RAPIDO	RACCORD 6500 1/4"-8 RAPIDE	QUICK UNION 6500 1/4"-8	ANSCHLUSS 6500 1/4" - 8
14	4196314	TAZZA FILTRO REGOLATORE	CUVE FILTRE	FILTER CUP	FILTERBECKEN
15	4298308	MANOMETRO D.40 0-16 BAR 1/8"	MANOMETRE D.40 0-16 BAR 1/8"	PRESS. GAUGE D.40 0-16 BAR 1/8"	MANOMETER D.40 0-16 BAR 1/8"
16	4396593	VITE TCEI M 4x40 8.8	VIS 4x40	SCREW 4x40	SCHRAUBE 4x40
17	4193489	LUBRIFIC.1/4"	HUILEUR	LUBRICATOR	SCHMIERER
18	4193488	FILTRO REG.	FILTRE REGULATEUR	FILTER REGULATOR	FILTERREGLER
19	4198951	REGOLATORE 1/4" 0,5-10 BAR	REGULATEUR 1/4" 0,5-10 BAR	REGULATOR	REGLER 1/4" 0,5 - 12 BAR
20	4199077	DADO FRESATO 11A 1/4"	ECROU 1/4"	NUT 1/4"	MUTTER 1/4"
21	4199818	RACCORDO 2070 1/4 MFF	RACCORD 1/4"	UNION 1/4"	ANSCHLUSS 1/4"
22	2033529	GRUPPO LUBRIFICATORE	HUILEUR	LUBRICATOR GROUP	SCHMIERER
23	2033530	GRUPPO LUBRIFICAT + FILTRO REG.	HUILEUR+FILTRE REGULATEUR	LUBRICATOR+FILTER REGULATOR	SCHMIERER+FILTERREGLER
24	9298243	PISTOLETTA GONFIAGGIO MICHELIN	PISTOLET MICHELIN CE COMPL.	MICHELIN INFLATING GAUGE - CE	MICHELIN LUFTDRUCKPISTOLE CE
25	T3007754	TAPPO RACC.CON GHIERA	UNION + RING NUT	RACCORD + EMBOUT	ANSCHLUSS + RING

