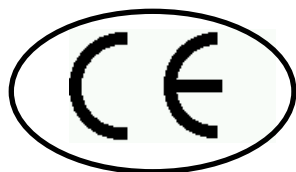


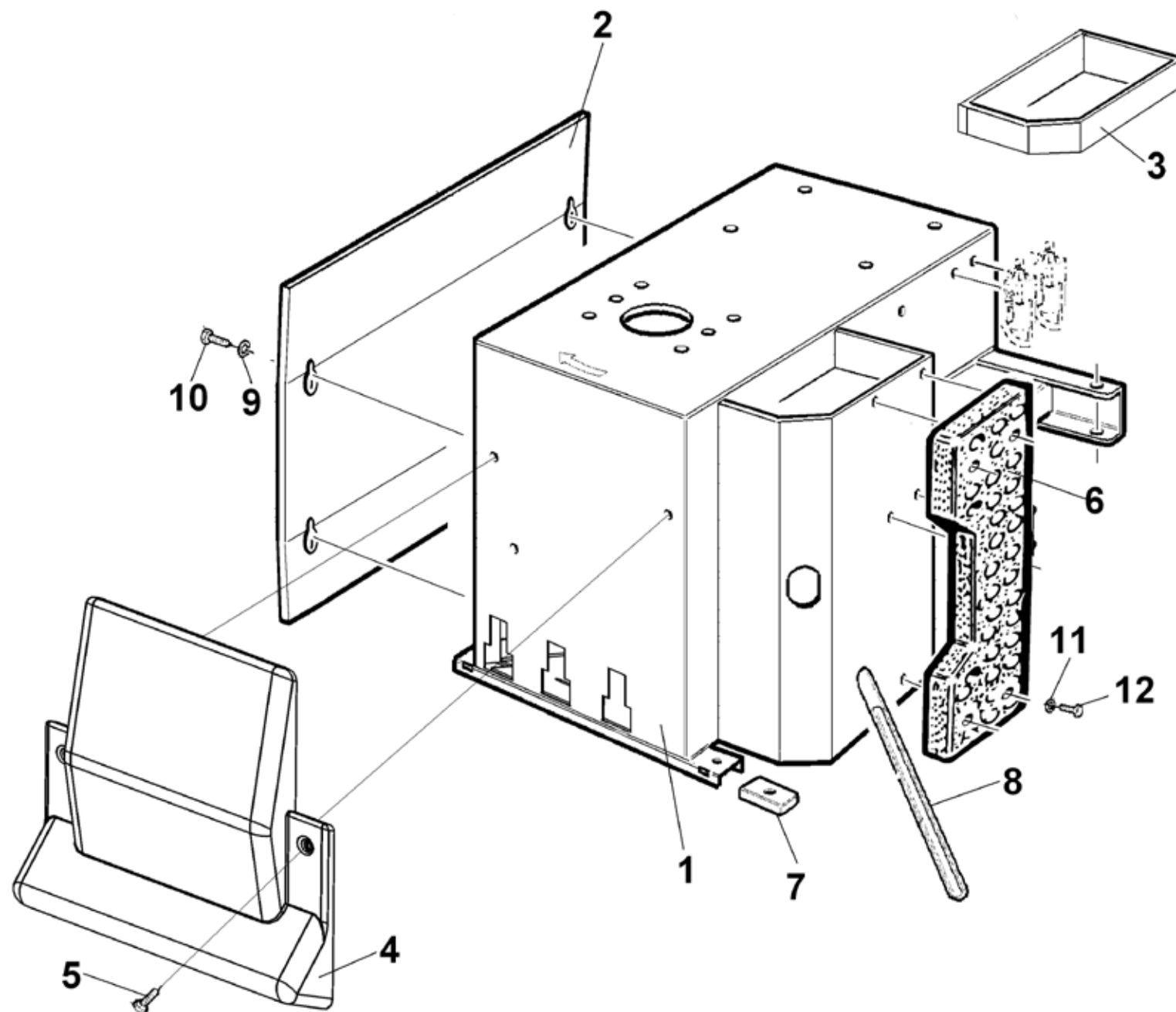
CATALOGO RICAMBI ORIGINALI - ORIGINAL SPARE PARTS

CATALOGUE PIECES D'ORIGINE - ORIGINALSATZTEILE

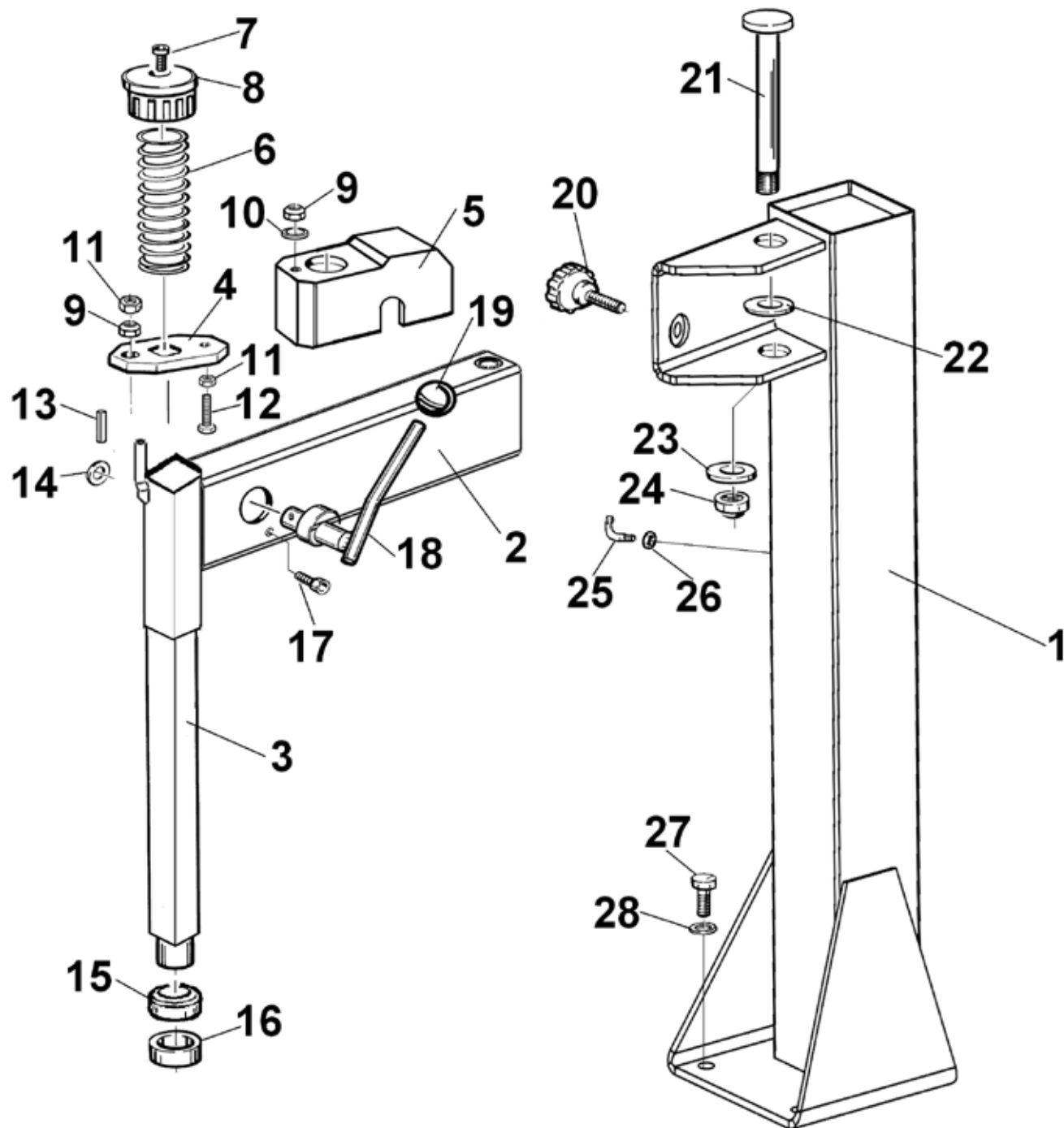
Ed. 03/2013

Cod.

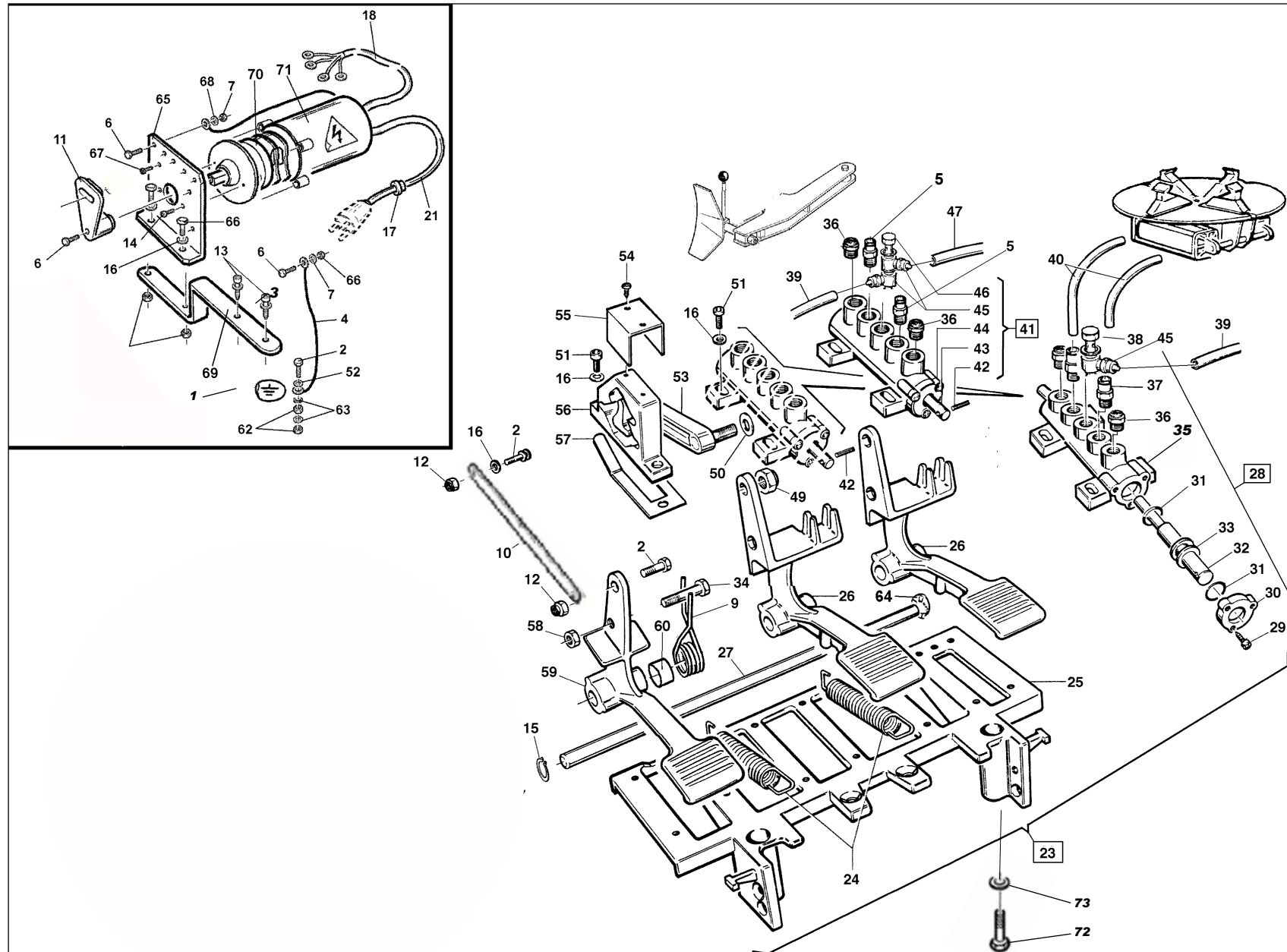




| | | | | | |
|----|---------|--------------------------------|-----------------------------|-------------------------|-------------------------------|
| 1 | 5835346 | CARCASSA | SHELL | BATI | RAHMEN |
| 2 | 7035667 | COPERCHIO LAT. | SIDE COVER | COUVERTURE LATERALE | SEITENABDECKUNG |
| 3 | 3035692 | APPOGGIO TAMPONE ABS | TOP COVER ABS | COUVERCLE ABS | TOP COVER ABS |
| 4 | 3035375 | PROTEZIONE PEDALI | PROTECTION PEDALES | PEDAL COVER | PEDALSCHUTZ |
| 5 | 4399300 | VITE TCEI M 6x12 8.8 ZNT 5931 | SCREW 6x12 | VIS 6x12 | SCHRAUBE 6x12 |
| 6 | 3035374 | APPOGGIO RUOTA | WHEEL SUPPORT | APPUI ROUE | RADHALTER |
| 7 | 3002099 | PIEDE IN PLASTICA PER CARCASSA | PLASTIC FOOT | PIED EN PLASTIQUE | PLASTIKFUSS |
| 8 | 3006970 | LEVA ALZATALLONI TIPO C | BEAD LIFTING LEVER | LEVIER DECOLLE-TALONS | WULSTABDRUECKHEBEL |
| 9 | 4399998 | RONDELLA 6 (6,4x12x1,6) | WASHER 6 (6,4x12x1,6) | RONDELLE 6 (6,4x12x1,6) | BEILAGSSCHEIBE 6 (6,4x12x1,6) |
| 10 | 4393749 | VITE FLANG. TCEI 6X20 ZNT | FLANGED SCREW TCEI 6X20 ZNT | VIS TCEI 6X20 ZNT | SCHRAUBE TCEI 6X20 |
| 11 | 4398848 | RONDELLA 6 (6,6x18x1,5)ZNT6593 | WASHER 6 (6,6x18x1,5) | RONDELLE 6 (6,6x18x1,5) | BEILAGSSCHEIBE 6 (6,6x18x1,5) |
| 12 | 4399999 | VITE TCEI M 6x25 | SCREW 6x25 | VIS 6x25 | SCHRAUBE 6x25 |



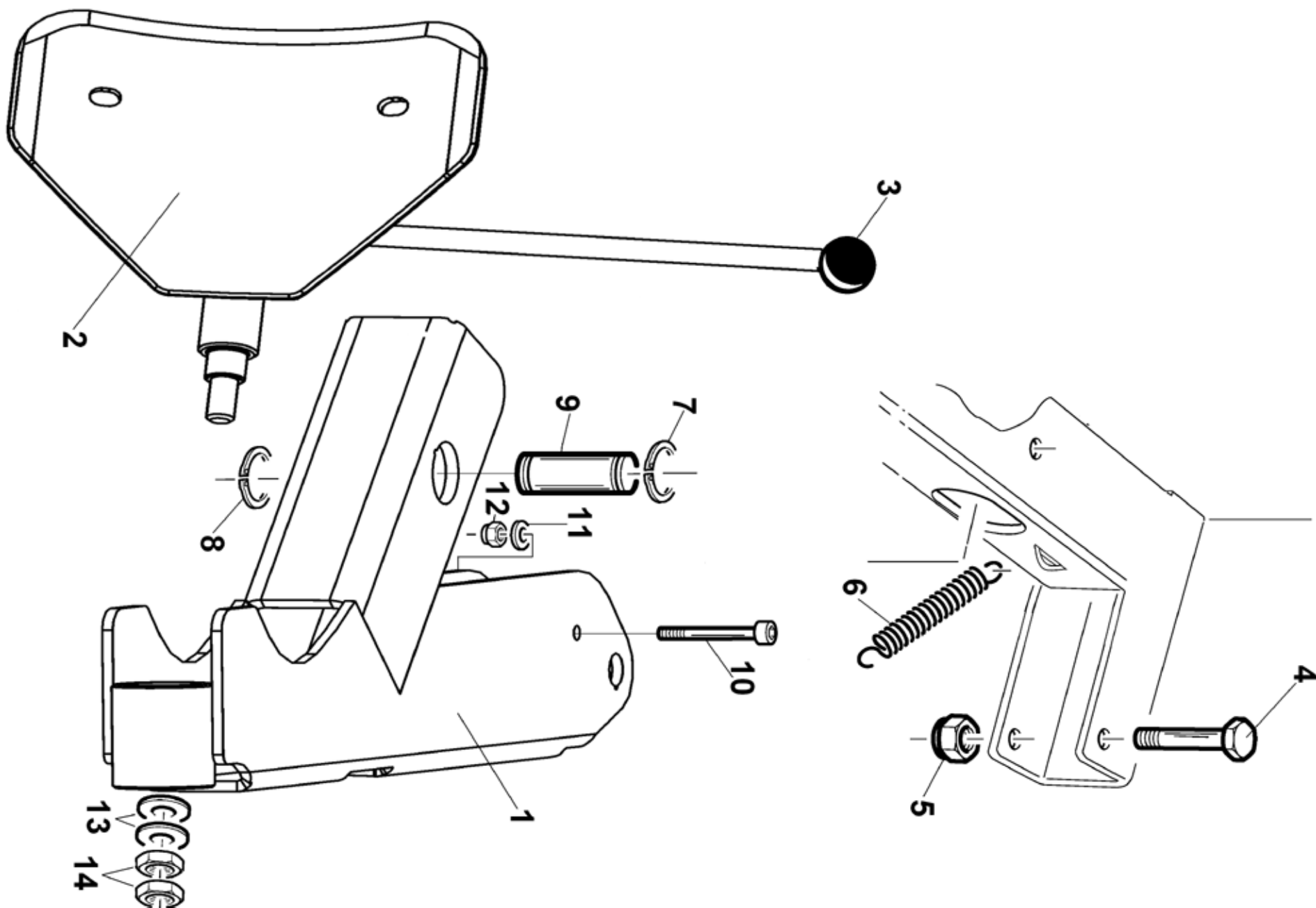
| | | | | | |
|----|---------|--------------------------------|------------------------------|------------------------------|-------------------------------|
| 1 | 7035364 | PALO VERTICALE | VERTICAL ARM | BRAS VERTICAL | SENKRECHTER ARM |
| 2 | 7035357 | BRACCIO ORIZZONTALE | HORIZONTAL ARM | BRAS HORIZONTAL | WAAGERECHTER ARM |
| 3 | 3035363 | BRACCIO OPERANTE | OPERATING ARM | BRAS OPERATEUR | BEDIENUNGSARM |
| 4 | 3035362 | PIASTRA BLOCC.BO QUADRO | LOCKING PLATE | PLAQUE DE BLOCAGE | SPERRPLATTE |
| 5 | 3033243 | PROTEZIONE ABS PALO QUADRO | ABS PROTECTIVE COVER | PROTECTION EN ABS | ABS SCHUTZ |
| 6 | 3035947 | MOLLA COMPR.BRACCIO OPER.-ZNT | SPRING | RESSORT | FEDER |
| 7 | 4399134 | VITE TCEI M 8x30 | SCREW 8x30 | VIS 8x30 | SCHRAUBE 8x30 |
| 8 | 3001759 | POMOLO BRACCIO OPERANTE | OPERATING ARM KNOB | POMMEAU BRAS OPERATEUR | MONTIERARMGRIFF |
| 9 | 4399971 | DADO AUTOBL.M10 BASSO | SELF-LOCKING NUT M10 | ECROU DE VERROUILLAGE M10 | SELBSTSICHERNDE MUTTER M10 |
| 10 | 4398633 | RONDELLA 10 (10x18x2) ZNT 1750 | WASHER D.10 (10x18x2) | RONDELLE 10 (10x18x2) | BEILAGSSCHEIBE 10 (10x18x2) |
| 11 | 4399967 | DADO M10 6S BASSO | NUT M10 | ECROU M10 | MUTTER M10 |
| 12 | 4398900 | VITE OTTONE TE M10x25 5739 | BRASS SCREW 10x25 | VIS EN LAITON M10X25 | MESSINGSCHRAUBE 10x25 |
| 13 | 4398783 | SPINA ELASTICA D.4x24 6874 | ELASTIC PIN D.4x24 | CHEVILLE ELASTIQUE D.4x24 | FEDERSTIFT D.4x24 |
| 14 | 4398807 | RONDELLA 14 (15x28x2,5)ZNT6592 | WASHER 14 (15x28x2,5) | RONDELLE 14 (15x28x2,5) | BEILAGSSCHEIBE 14 (15x28x2,5) |
| 15 | 3017974 | COPERCHIO ANELLO AMMORTIZ. | SHOCK ABSORB. RING COVER | COUVERCLE BAGUE AMORTISSEUR | STOSSDAEMPFERRINGDECKEL |
| 16 | 3002601 | AMMORTIZ. TORRETTA ES.41 | MOUNTING TOOL SHOCK ABSORBER | AMORTISSEUR OUTIL DE MONTAGE | MONTIERWERKZEUGSTOSSDAEMPFER |
| 17 | 4399964 | VITE TCEI M 6x10 | SCREW 6x10 | VIS 6x10 | SCHRAUBE 6x10 |
| 18 | 2107085 | LEVA BLOC.B.O. 110 -ZNT BIANCO | ARM LOCKING LEVER | LEVIER DE BLOCAGE BRAS | ARMSPERRHEBEL |
| 19 | 4299952 | POMOLO D.14 | KNOB D.14 | POMMEAU D.14 | KUGELGRIFF D.14 |
| 20 | 2036340 | VOLANTINO M16 L=130 | HANDWHEEL L=130 | VOLANT L=130 | HANDRAD L=130 |
| 21 | 3007065 | PERNO FULCRO BRACCIO | TRUNNION | PIVOT | DREHZAPFEN |
| 22 | 4397898 | RASAMENTO ACCIAIO 25X50X0,5 | STEEL SHIM 25x50x0,5 | CALE EN ACIER 25x50x0,5 | STAHLZWISCHENLAGE 25x50x0,5 |
| 23 | 3007352 | RONDELLA 20,5X50X6 | WASHER 20,5x50x6 | RONDELLE 20,5x50x6 | BEILAGSSCHEIBE 20,5x50x6 |
| 24 | 4399963 | DADO AUTOBL.M16 BASSO | SELF-LOCKING NUT M16 | ECROU DE VERROUILLAGE M16 | SELBSTSICHERNDE MUTTER M16 |
| 25 | 3012978 | GANCIO SUPP.PISTOLETTA | HOOK | CROCHET | HAKEN |
| 26 | 4399889 | DADO M6 | NUT M6 | ECROU M6 | MUTTER M6 |
| 27 | 4399877 | VITE TE 16x60 8.8 PF ZNT 5737 | SCREW 16x60 | VIS 16x60 | SCHRAUBE 16x60 |
| 28 | 4399828 | RONDELLA 16 (17x30x3) ZNT 6592 | WASHER D.16 | RONDELLE D.16 | BEILAGSSCHEIBE 16 |



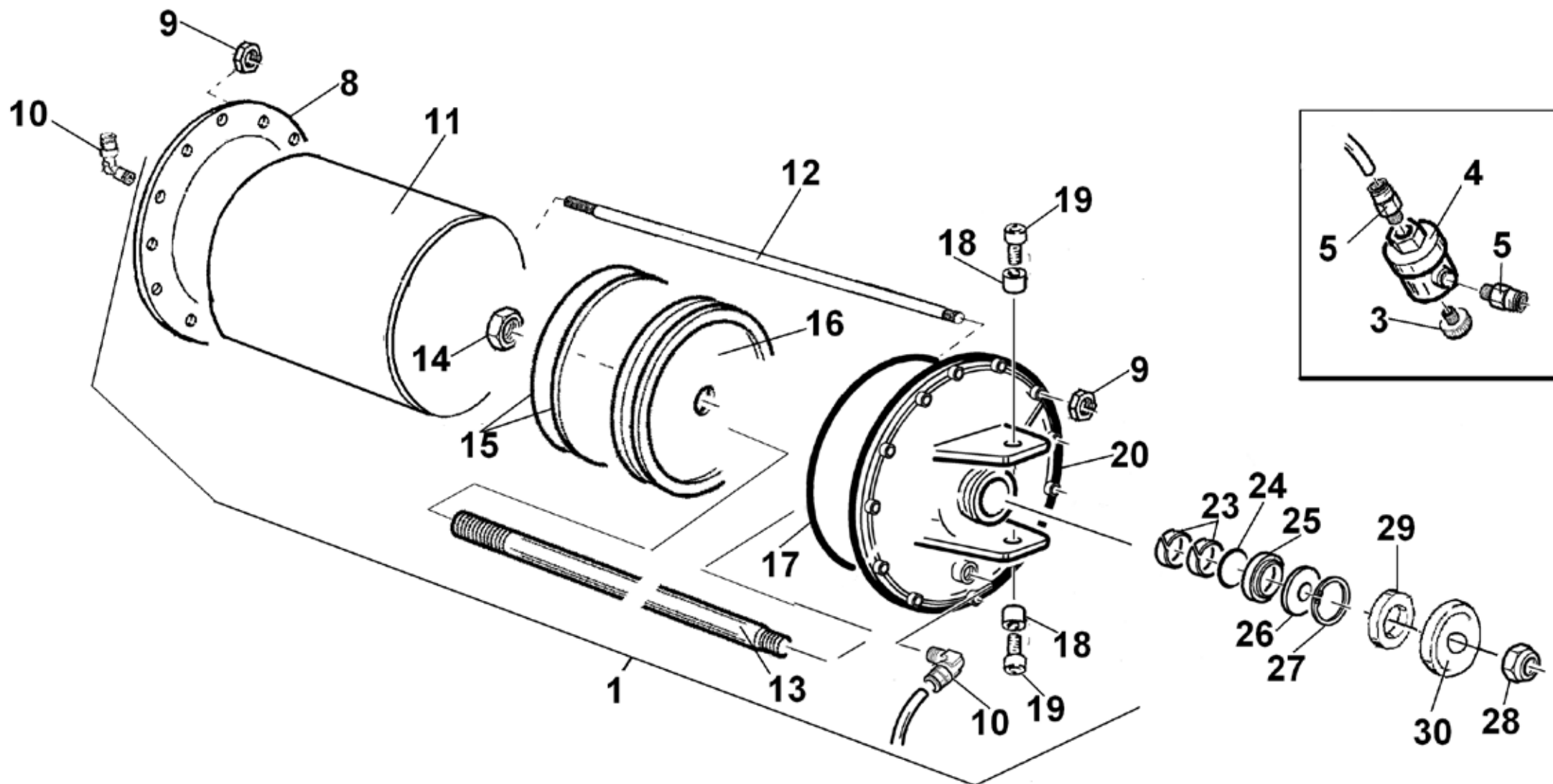
| | | | | | |
|----|---------|--|--------------------------------|----------------------------|---------------------------|
| 1 | 3005604 | DECALCO BOLLINO PE 27552 BSO | DECALCOMANIE | STICKER | ABZIEHBILD |
| 2 | 4399892 | VITE TE 6x20 8.8 5739 | VIS M6x20 - 8.8 | SCREW M6x20 - 8.8 | SCHRAUBE M6x20 - 8.8 |
| 3 | 4398848 | RONDELLA 6 (6,6x18x1,5)ZNT6593 | RONDELLE 6 (6,6x18x1,5) | WASHER 6 (6,6x18x1,5) | SCHEIBE 6 (6,6x18x1,5) |
| 4 | 2006040 | CAVETTO TERRA SMTG AUTO L=340 | CABLE DE TERRE | GROUND CABLE L=340 | MASSEDRAHT L=340 |
| 5 | 4198954 | RACCORDO 6512 1/8"-8 S.R. (DIRITTO+OR) | QUICK UNION 1/8" | RACCORD RAPIDE 1/8" | SCHNELLANSCHLUSS 1/8" |
| 6 | 4399905 | VITE TE 4x12 8.8 5739 | VIS M4x12 - 8.8 | SCREW M4x12 8.8 | SCHRAUBE M4x12 8.8 |
| 7 | 4399996 | DADO M 4 6S ALTO ZNT 5587 | ECROU M4 6S | NUT M4 6S | MUTTER M4 6S |
| 9 | 3017116 | MOLLA COMANDO PEDALE | RESSORT COMMANDE PEDALE | PEDAL CONTROL SPRING | FEDER |
| 10 | 3015341 | BIELLA COM.INVERT.-ZNT | BIELLE | CONNECTING ROD | PLEUELSTANGE |
| 11 | 3000175 | LEVA INVERTITORE | LEVIER D'INVERSEUR | REVERSER LEVER | WECHSLERHEBEL |
| 12 | 4399893 | DADO AUTOBL.M 6 BASSO.6S. 7474 | ECROU A' BLOCAGE AUTOM. M6 | SELF-LOCKING NUT M6 | SELBSTSICHERNDE MUTTER M6 |
| 13 | 4398273 | VITE AUTOF. TCEI 5,5x19 | VIS AUTOTARADEUSE TCEI 5,5x19 | SELF-TAPPING SCREW 5,5x19 | BLECHSCHRAUBE 5,5x19 |
| 14 | 4399044 | VITE TCEI M 3x12 12.9 5931 | VIS 3x12 12,9 | SCREW 3x12 12,9 | SCHRAUBE 3x12 12.9 |
| 15 | 4399864 | ANELLO SEEGER E D.12 7435 | BAGUE SEEGER D.12 | SEEGER RING D.12 | SEEGER-RING D.12 |
| 16 | 4399998 | RONDELLA 6 (6,4x12x1,6)ZNT6592 | RONDELLE 6 (6,4x12x1,6) | WASHER 6 (6,4x12x1,6) | SCHEIBE 6 (6,4x12x1,6) |
| 17 | 4599986 | BLOCCAPASSAC.RETT.D.9 SB7 R/3 | ARRET DE PASSE-CABLE D.9 | CABLE HOLDER D.9 | KABELDURCHGANG/SPERRE D.9 |
| 18 | 2001171 | CAVO COLL.MOT.-INV. 3PH L=760 | CABLE DE CONNEXION L=1500 | CONNECTING CABLE L=1500 | VERBINDUNGSKABEL L=1500 |
| 18 | 2000525 | CAVO COLL.MOT.-INV. 1PH L=750 | CABLE CONNEX. MOTEUR-INVERSEUR | CONNECTING CABLE | VERBINDUNGSKABEL |
| 21 | 2001512 | CAVO ALIMENT. 3PH L=3110 | CABLE ALIMENTATION 3PH | 3PH FEEDING CABLE | 3PH - SPEISEKABEL |
| 21 | 2000526 | CAVO ALIMENT. 1PH L=3600 | CABLE D'ALIMENTATION 1 PH | 1PH FEEDING CABLE | EINPHASIGER SPEISEKABEL |
| 23 | 2035913 | PEDALIERA SEMIAUT. D.8 LEGA | PEDALIER | PEDAL CONTROL UNIT | PEDALEINHEIT |
| 24 | 3013333 | MOLLA RICH.PEDALE W. NEW | RESSORT RAPPELLE-PEDALE | PEDAL RETURN SPRING | PEDALRUECKZUGFEDER |
| 25 | 3002161 | BASAMENTO PEDALIERA | BASE DU PEDALIER | PEDAL BOX BASE | PEDALSITZ |
| 26 | 3002159 | PEDALE COM. AUTOC./STALL. ALL. | PEDALE DE COMMANDE | PEDAL | ZENTRIERTISCHPEDAL |
| 27 | 3003094 | PERNO ALLINEAMENTO PED.L.278,5 | AXE ALIGNEM. PEDALES L=280 | PEDALS ALIGNMENT PIN L=280 | STIFT L=278,5 |
| 28 | 2033238 | GR.VALVOLA AUTOC.SEMIAUT.LINEA | SOUPAPE | VALVE UNIT | VENTIL |
| 29 | 4398999 | VITE AUTOF. TCIC 3,5x13 6954 | VIS AUTOTARADEUSE 3,5x13 | SELF-TAPPING SCREW 3,5x13 | BLECHSCHRAUBE 3,5x13 |

| | | | | | |
|----|---------|--------------------------------|----------------------------|-------------------------------|------------------------------|
| 30 | 3001585 | FLANGIA X VALVOLA 3001583 | BRIDE POUR SOUPAPE 3001583 | FLANGE for VALVE 3001583 | FLANSCH |
| 31 | 4299000 | ANELLO OR 9,8x3,85 | JOINT OR 9,8x3,85 | O-RING 9,8x3,85 | O-RING 9,8x3,85 |
| 32 | 3002442 | PERNO X VALVOLA GRIFFE/RIBALT. | AXE | VALVE PIN | STIFT |
| 33 | 3001584 | DISTANZIALE X VALVOLA 3001583 | ENTRETOISE | SPACER FOR VALVE 3001583 | ABSTANDSSTUECK |
| 34 | 4397649 | VITE TE 6x50 8.8 PF ZNT 5737 | VIS TE 6x50 8.8 | SCREW 6x50 8.8 | SCHRAUBE 6x50 8.8 |
| 35 | 3001583 | VALVOLA DISTRIB.-SENZA CHIAVET | SOUPAPE DISTRIBUTION | DISTRIBUTION VALVE | VENTIL |
| 36 | 4199843 | REGOL.SCAR.SILENZ.SVE 1/8" | REGLAGE SILENCIEUX 1/8" | SILENCER OUTLET ADJUSTER 1/8" | ABLASSAUSTEILER 1/8" |
| 37 | 4198954 | RACCORDO 6510 1/8"-8 S.RAPIDO | RACCORD RAPIDE 6510 1/8"-8 | QUICK UNION 6510 1/8"-8 | SCHNELLANSCHLUSS 6510 1/8"-8 |
| 38 | 4199929 | RACCORDO 1631-01 1/8" | RACCORD 1/8" | UNION 1/8" | ANSCHLUSS 1/8" |
| 39 | 3002446 | TUBO RILSAN D. 8X6 L=100 | TUYAU RILSAN D.8/6 L=100 | RILSAN HOSE D.8/6 L=100 | SCHLAUCH D.8x6 L=100 |
| 40 | 3099335 | TUBO RILSAN D. 8X6 L=750 | TUYAU RILSAN D.8x6 L=740 | RILSAN HOSE D.8x6 L=750 | SCHLAUCH D.8x6 L=750 |
| 41 | 2035178 | GR.VALVOLA STALLONATORE D. E. | SOUPAPE | VALVE UNIT | VENTIL |
| 42 | 4398783 | SPINA ELASTICA D.4x24 6874 | GOUPILLE D.4x24 | SPRING PIN D.4x24 | FEDERSTIFT D.4x24 |
| 43 | 3035999 | PERNO X VALVOLA PEDALE STALL. | AXE | PIN | STIFT |
| 44 | 2002444 | GR.VALVOLA LINEA SENZA PERNO | GROUPE SOUPAPE SANS GOUJON | VALVE UNIT WITHOUT PIN | VENTIL |
| 45 | 4197819 | RACCORDO 6610 1/8" 8/6 S.RAP. | QUICK UNION 1/8" 8-6 | RACCORD RAPIDE 1/8" 8-6 | SCHNELLANSCHLUSS 1/8" 8-6 |
| 46 | 4199928 | RACCORDO 1631-02 1/8" | RACCORD 1/8" | UNION 1/8" | ANSCHLUSS 1/8" |
| 47 | 3001342 | TUBO RILSAN D. 8X6 L=1000 | TUYAU RILSAN D.8x6 L=1000 | RILSAN HOSE D.8x6 L=1000 | SCHLAUCH 8x6 L=1000 |
| 49 | 4399900 | DADO AUTOBL.M 8 BASSO 6.S 7474 | ECROU A' BLOCAGE AUTOMAT. | SELF-LOCKING NUT M8 | SELBSTSICHERNDE MUTTER M8 |
| 50 | 4399894 | MOLLA TAZZA 8,2X18X1 2093 | RESSORT 8,2x18x1 | BELLEVILLE WASHER 8,2x18x1 | FEDER 8,2x18x1 |
| 51 | 4398274 | VITE AUTOF. TCEI 5,5x26 | VIS AUTOTARADEUSE 5,5x26 | SELF-TAPPING SCREW 5,5x26 | BLECHSCHRAUBE 5,5x26 |
| 52 | 4398848 | RONDELLA 6 (6,6x18x1,5)ZNT6593 | RONDELLE 6 (6,6x18x1,5) | WASHER 6 (6,6x18x1,5) | SCHEIBE 6 (6,6x18x1,5) |
| 53 | 4299912 | BIELLA PER CAMME | BIELLE | CONNECTING ROD | PLEUELSTANGE |
| 54 | 4399891 | VITE AUTOF.TC+ 2,9x6,5 ZNT | VIS AUTOTARADEUSE 2,9x6,5 | SELF-TAPPING SCREW 2,9x6,5 | BLECHSCHRAUBE 2,9x6,5 |
| 55 | 4299910 | CAVALLOTTO GUIDA BIELLA | GUIDE-BIELLE | CONNECTING ROD GUIDE | PLEUELSTANGENFUEHRUNG |
| 56 | 4299913 | CAMMA DOPPIA | CAME | DOUBLE CAM | DOPPELKAMM |
| 57 | 4299911 | BALESTRA A FORCELLA | RESSORT A LAME | FORKED LEAF SPRING | GABELFEDER |
| 58 | 4399889 | DADO M 6 6S ZNT 5588 | ECROU M6 | NUT M6 | MUTTER M6 |
| 59 | 3002157 | PEDALE COM.INVERT. ALL. | PEDALE | REVERSER CONTROL PEDAL | WECHSLERPEDAL |
| 60 | 3007953 | BOCCOLA D.18x12,5x21 PED.INV. | DOUILLE D.18X12,5X21 | BUSH D.18x12,5x21 | BUECHSE D.18X12,5X21 |
| 62 | 4399889 | DADO M 6 6S ZNT 5588 | ECROU M6 | NUT M6 | MUTTER M6 |
| 63 | 4399122 | ROND. DEN.ES."A" 8,4x15x0,8 | RONDELLE D.8 | TOOTHED WASHER 8,4x15x0,8 | ZAHNSCHEIBE 8,4x15x0,8 |
| 64 | 4399998 | RONDELLA 6 (6,4x12x1,6)ZNT6592 | RONDELLE 6 (6,4x12x1,6) | WASHER 6 (6,4x12x1,6) | SCHEIBE 6 (6,4x12x1,6) |

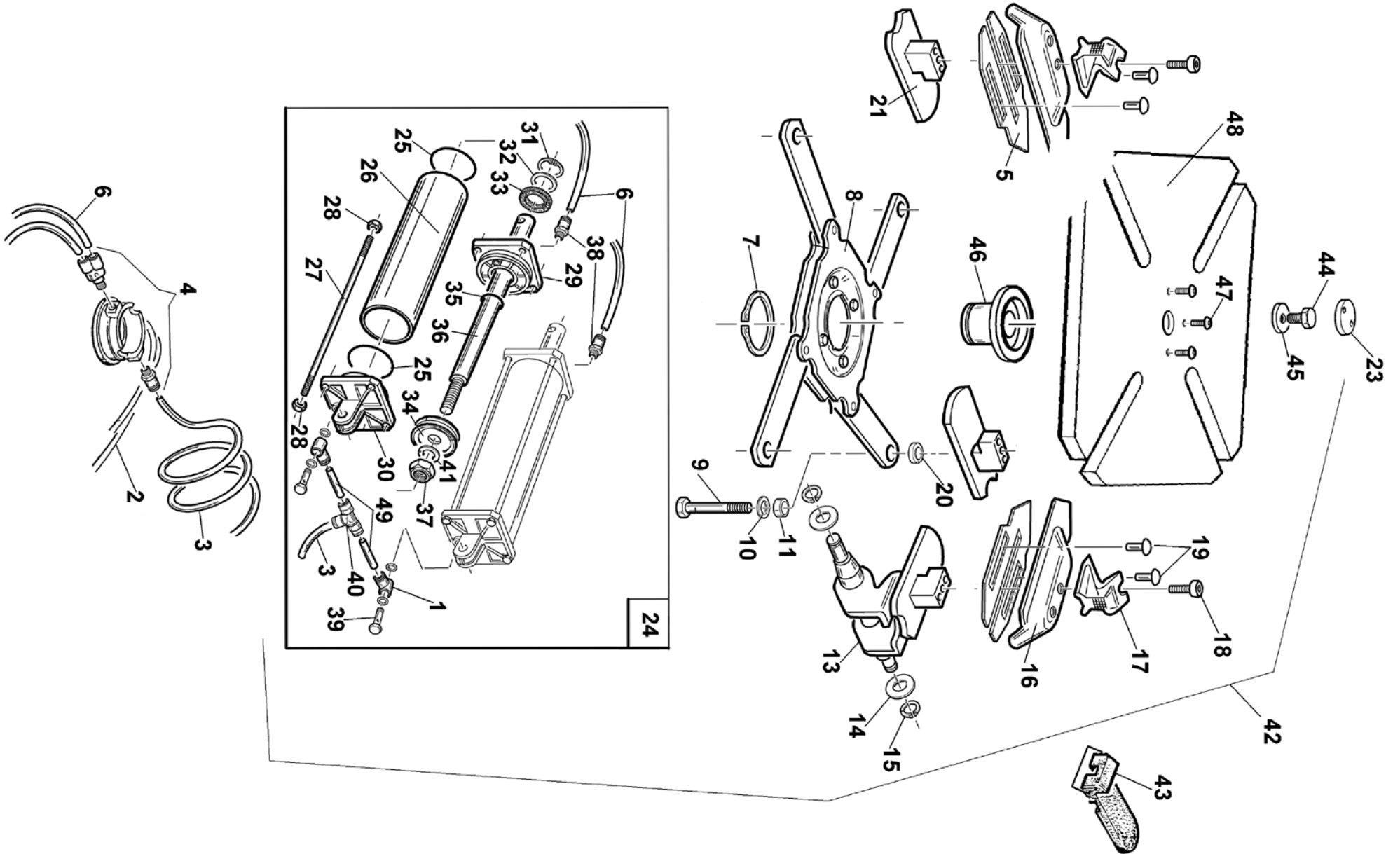
| | | | | | | |
|----|---------|--------------------------------|---------------------------|---------------------------|-------------------------------|--|
| 65 | 3015340 | SUPPORTO INVERTITORE | | | | |
| 66 | 4398723 | VITE TE 6x12 | VIS 6x12 | SCREW 6x12 | SCHRAUBE 6x12 | |
| 67 | 4398999 | VITE AUTOF.TCIC 3,5x13 | VIS AUTOTARADEUSE 3,5x13 | SELF-TAPPING SCREW 3,5x13 | BLECHSCHRAUBE 3,5x13 | |
| 68 | 4399703 | ROND. DEN.ES."A" 4,3x8x0,5 | RONDELLE DENTEE 4,3x8x0,5 | TOOTHED WASHER 4,3x8x0,5 | ZAHNSCHEIBE 4,3X8X0,5 | |
| 69 | 3015342 | STAFFA SUPPORTO INVERT.-ZNT | ETRIER DE SUPPORT | SUPPORT | WECHSLERSTUETZE | |
| 70 | 4595380 | INVERTITORE 32 A | INVERSEUR | REVERSER | WECHSLER 20A SERIE 13 | |
| 71 | 3015345 | PROTEZIONE INVERTITORE | PROTECTION INVERSEUR | REVERSER COVER | WECHSLERSCHUTZ | |
| 72 | 4399946 | VITE TE 8x16 8.8 ZNT 5739 | VIS 8x16 | SCREW 8x16 | SCHRAUBE 8x16 | |
| 73 | 4399829 | RONDELLA 8 (8,4x16x1,5)ZNT6592 | RONDELLE 8 (8,4X16X1,5) | WASHER 8 (8,4x16x1,5) | BEILAGSSCHEIBE 8 (8,4x16x1,5) | |



| | | | | | |
|----|---------|--------------------------------|--------------------------------|-------------------------------|---------------------------------|
| 1 | 7035379 | BRACCIO STALLONATORE | BEAD BREAKING ARM | BRAS DECOLLEUR | WULSTABDRUECKARM |
| 2 | 2135371 | PALETTA STALL.D.20/30 W320-ZNT | PALE DECOLLE-TALONS | BEAD BREAKING PLATE | WULSTABDRUECKSCHAUFEL |
| 3 | 4299952 | POMOLO D.14 | POMMEAU D.14 | KNOB D.14 | KUGELGRIFF D.14 |
| 4 | 4399945 | VITE TE 16x100 8.8 P.F. 5737 | VIS TE 16x100 | SCREW TE 16x100 | SCHRAUBE TE 16x100 |
| 5 | 4399963 | DADO AUTOBL.M16 BASSO.6S. 7474 | ECROU DE VERROUILLAGE M16 | SELF-LOCKING NUT M16 | SELBSTSICHERNDE MUTTER M16 |
| 6 | 3000114 | MOLLA BRACCIO STALLONATORE | RESSORT BRAS DECOLLEUR | ARM SPRING | ARMFEDER |
| 7 | 4399979 | ANELLO SEEGER E D.30 7435 | BAGUE SEEGER D.30 | SEEGER RING D.30 | SEEGER RING D.30 |
| 8 | 4399975 | ANELLO SEEGER E D.20 7435 | BAGUE SEEGER D.20 | SEEGER RING D.20 | SEEGER RING D.20 |
| 9 | 3007894 | PERNO ORIENTABILE ASTA | PIVOT | PIVOT PIN | DREHZAPFEN |
| 10 | 4393072 | VITE TCEI M 6x70 | SCREW 6x70 | VIS 6x70 | SCHRAUBE 6x70 |
| 11 | 4399998 | RONDELLA 6 (6,4x12x1,6)ZNT6592 | WASHER 6 (6,4x12x1,6) | RONDELLE 6 (6,4x12x1,6) | UNTERLEGSSCHEIBE 6 (6,4x12x1,6) |
| 12 | 4399893 | DADO AUTOBL.M 6 BASSO | SELF-LOCKING NUT M6 | ECROU DE VERROUILLAGE M6 | SELBSTSPERRENDE MUTTER M6 |
| 13 | 4398899 | MOLLA TAZZA 14,3x34x1,5 | RESSORT BELLEVILLE 14,3x34x1,5 | BELLEVILLE SPRING 14,3x34x1,5 | BELLEVILLE FEDER 14,3x34x1,5 |
| 14 | 4396941 | DADO M14 6S BASSO ZNT 5589 | ECROU M14 | NUT M14 | MUTTER M14 |

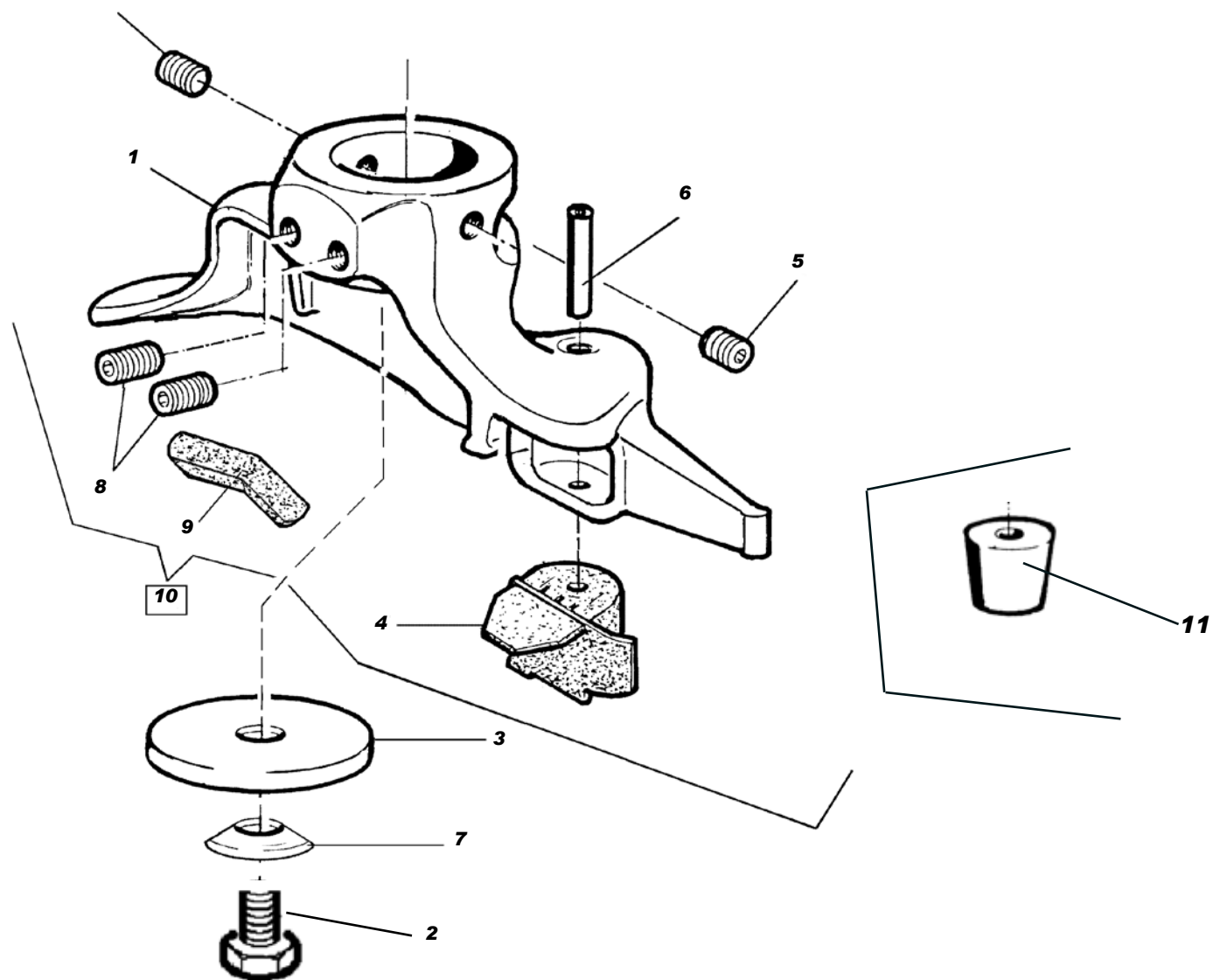


| | | | | | |
|----|---------|--------------------------------------|-----------------------------|-----------------------------|----------------------------|
| 1 | 2035725 | GR.CILINDRO STALL. D. 200 - TUBO ALU | BEAD BREAKER CYLINDER D.200 | GR. VERIN DECOLLEUR D.200 | WULSTABDRÜCKZYLINDER D.200 |
| 2 | 2008204 | GR.VALVOLA SCAR.RAPIDO ST.MOON | QUICK RELIEF VALVE | CLAPET DECHARGE RAPIDE | SCHNELLABLASSVENTIL |
| 3 | 4198808 | SILENZIATORE 1/4" SPEC. D.24 | SILENCER 1/4" | SILENCIEUX 1/4" | SCHALLDAEMPFER 1/4" |
| 4 | 4199671 | VALVOLA SCARICO RAPIDO DA 1/4" | QUICK RELIEF VALVE 1/4" | CLAPET DECHARGE RAPIDE 1/4" | SCHNELLABLASSVENTIL 1/4" |
| 5 | 4198884 | RACCORDO S6510 1/4"-8 S.R. | QUICK UNION 1/4" | RACCORD RAPIDE 1/4" | SCHNELLANSCHLUSS 1/4" |
| 8 | 3035722 | FLANGIA POSTERIORE CILINDRO STALL. | REAR FLANGE | BRIDE ARRIERE | HINTERFLANSCH |
| 9 | 4398007 | DADO FLANGIATO M6 ZNT DIN 6923 | FLANGED NUT M6 | ECROU BORDE" M6 | FLANSCHMUTTER M6 |
| 10 | 4198578 | RACCORDO 6520 1/4"-8/6 GIREV. | ROTATING UNION 1/4" 8-6 | RACCORD PIVOTANT 1/4" 8-6 | DREHANSCHLUSS 1/4" 8-6 |
| 11 | 3035721 | CAMICIA CILINDRO STALLONATORE ALU | CYLINDER LINER | CHEMISE VERIN | ZYLINDERMANTEL |
| 12 | 3035723 | TIRANTE CILINDRO STALLONATORE | CYLINDER TIE ROD | TIRANT DE VERIN | ZYLINDERZUGSTANGE |
| 13 | 3031738 | ASTA CIL.STALL.S.E. D 200 (SHA) | CYLINDER SHAF | TIGE VERIN | ZYLINDERSCHAFT |
| 14 | 4394969 | DADO M18x1,5 MEDIO 5588 ZNT | NUT M18x1,5 | ECROU M18x1,5 | MUTTER M18x1,5 |
| 15 | 4193622 | GUARNIZIONE 198X180X12 | SEAL 198X180X12 | JOINT 198X180X12 | DICHTUNG 198X180X12 |
| 16 | 3035724 | PISTONE CILINDRO STALLONATORE | CYLINDER PISTON | PISTON DE VERIN | ZYLINDERKOLBEN |
| 17 | 4198145 | ANELLO OR 4775 D.196,40x3,53 | O-RING D.196,4x3,53 | JOINT OR D.196,4x3,53 | O-RING D.196,4x3,53 |
| 18 | 3000117 | BOCCOLA PER CILINDRO STALL. | DOUILLE | BUSH | BUECHSE |
| 19 | 4399943 | VITE TCEI M12x35 12.9 5931 | VIS M12x35 12.9 | SCREW M12x35 12.9 | SCHRAUBE M12x35 12.9 |
| 20 | 2135716 | FLANGIA ANTERIORE CILINDRO STALL. | FRONT FLANGE | BRIDE AVANT | VORDERFLANSCH |
| 23 | 4298823 | FASCIA DI GUIDA ASTA CILINDRO | NYLON GUIDE | GUIDAGE EN NYLON | NYLONFUEHRUNG |
| 24 | 4298168 | ANELLO OR 3081 D.20,29x2,62 | O-RING 20,29x2,62 | JOINT OR D.20,29x2,62 | O-RING 20,29x2,62 |
| 25 | 3199601 | ANELLO RASCH.BID.L7 NSW 20 30 6/CO | SCRAPER | SEGMENT RACLEUR | KRATZSCHEIBE |
| 26 | 4398146 | RASAMENTO 24x30x1 | STEEL SHIM 24x30x1 | CALE EN ACIER 24x30x1 | STAHLZWISCHENLAGE 24x30x1 |
| 27 | 3199599 | ANELLO SEEGER I D.30 JV | SEEGER RING D.30 | BAGUE SEEGER D.30 | SEEGER-RING D.30 |
| 28 | 4398725 | DADO AUTOBL.MA18 ALTO DIN 982 | SELF-LOCKING NUT M18 | ECROU DE VERROUILLAGE M18 | SELBSTSICHERNDE MUTTER M18 |
| 29 | 3035977 | AMMORTIZZATORE D. 22x75x20 | AMORTISSEUR 22x75x20 | SHOCK-ABSORBER D.22x75x20 | STOSSDAEMPFER 22x75x20 |
| 30 | 3002832 | SEDE AMMORTIZ.STALL.-ZNT B. | SIEGE AMORTISSEUR | SHOCK ABSORBER SEAT | STOSSDAEMPERSITZ |

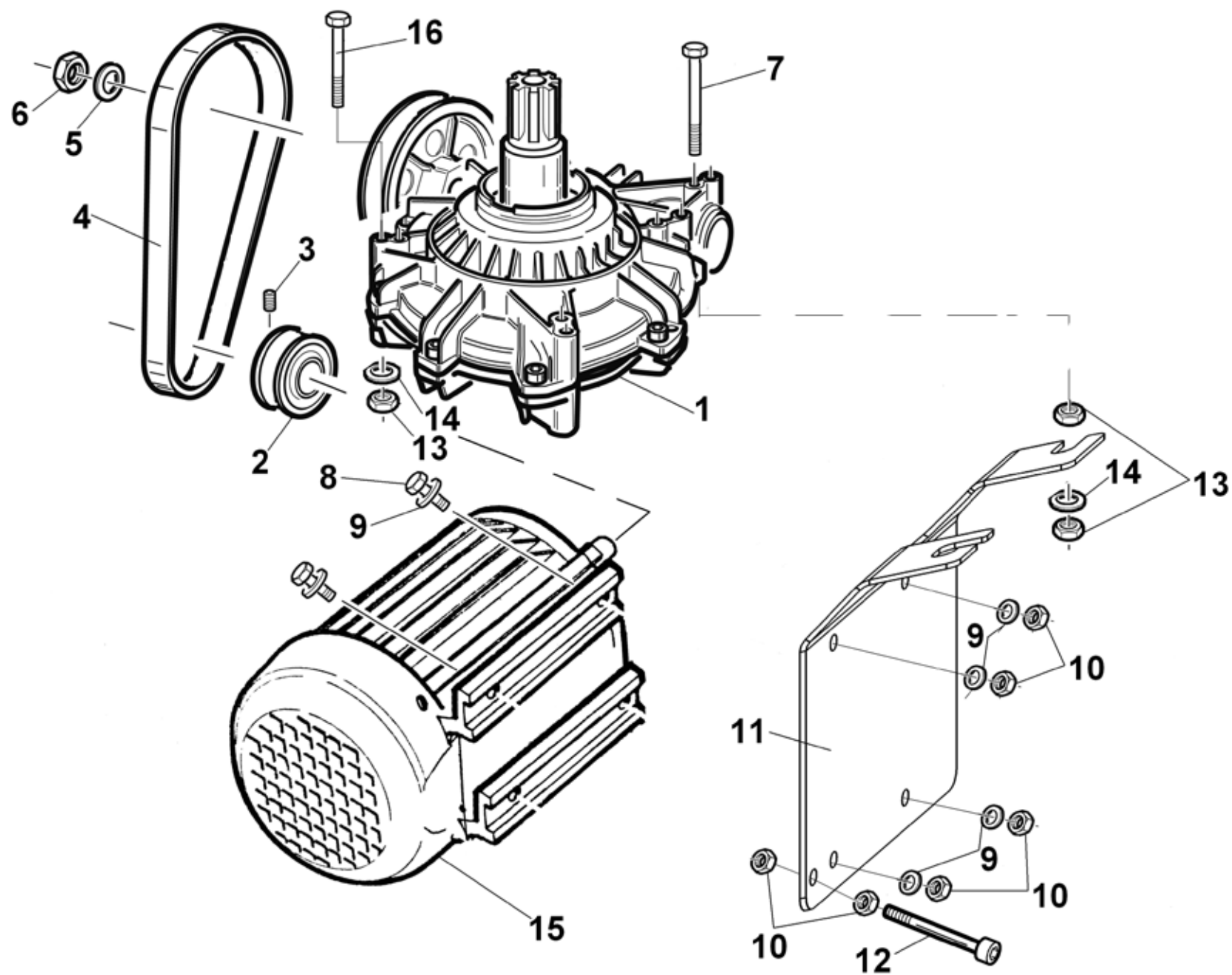


| | | | | | |
|----|---------|---------------------------------|------------------------------|--------------------------------|--------------------------------|
| 1 | 4197819 | RACCORDO 6610 1/8" 8/6 S.RAP. | QUICK UNION 1/8" 8-6 | RACCORD RAPIDE 1/8" 8-6 | SCHNELLANSCHLUSS 1/8" 8-6 |
| 2 | 3099335 | TUBO ELASTOLAN D. 8X6 L=750 | HOSE 8x6 L=750 | TUYAU 8x6 L=750 | SCHLAUCH 8x6 L=750 |
| 3 | 3016820 | SPIRALE RILSAN 8X6 L=560 | RILSAN SPIRAL HOSE 8X6 L=560 | TUYAU SPIRALE RILSAN 8X6 L=560 | SPIRALENSCHLAUCH 8X6 L=560 |
| 4 | 4295067 | RACCORDO GIREVOLE "Y" | ROTATING UNION | RACCORD PIVOTANT | DREHANSCHLUSS |
| 5 | 3035974 | PIASTRINA AUT.UNIF.19/20" | PLATE 19/20" | PLAQUE 19/20" | PLAETTCHEN 19/20" |
| 6 | 3000898 | TUBO ELASTOLAN D. 8X6 L=260 | HOSE 8x6 L=260 | TUYAU 8x6 L=260 | SCHLAUCH 8x6 L=260 |
| 7 | 4399932 | ANELLO SEEGER EST. D.62 | SEEGER RING D.62 | JOINT SEEGER D.62 | SEEGER RING D.62 |
| 8 | 2007414 | FLANGIA AUTOC.18-19-20-22 UNIF. | 18/19/20" TURNTABLE FLANGE | BRIDE CENTREUR 18/19/20" | 18/19/20" SELBSTZENTR. FLANSCH |
| 9 | 4398838 | VITE TE 12x1,25x45 8.8 PF | SCREW 12x1,25x45 | VIS 12x1,25x45 | SCHRAUBE 12x1,25x45 |
| 10 | 4398637 | RONDELLA 12x21x2,5 | WASHER D.12x21x2,5 | RONDELLE D.12x21x2,5 | BEILAGSSCHEIBE D.12x21x2,5 |
| 11 | 3006880 | DISTANZIALE BIELLA UNIF.12x18x9 | SPACER | ENTRETOISE | DISTANZSTUECK |
| 12 | 2033215 | GR. AUTOCENTRANTE + MOZZO NO GT | 24" TURNTABLE NO GT | PLATEAU AUTOC. 24" NO GT | 24" ZENTRIERTISCH NO GT |
| 13 | 2133769 | GUIDA SCORREVOLE PERNO | PIN SLIDE GUIDE | GUIDE COULISS. AXE | STIFT GLEITFUEHRUNG |
| 14 | 4399981 | RONDELLA 12 (13x24x2,5) | WASHER 12 (13x24x2,5) | RONDELLE 12 (13x24x2,5) | BEILAGSSCHEIBE 12 (13x24x2,5) |
| 15 | 4399864 | ANELLO SEEGER E D.12 | SEEGER RING D.12 | BAGUE SEEGER D.12 | SEEGER-RING D.12 |
| 16 | 3006255 | SCORREVOLE UNIF. | SLIDE | PATIN | SCHLITTEN |
| 17 | 3002297 | GRIFFA BLOCCAGGIO MAGGIORATA | CLAMP | MORS | SPANNKLAUE |
| 18 | 4398037 | VITE TCEI M10x1,25x25 | SCREW 10x1,25x25 | VIS 10x1,25x25 | SCHRAUBE 10x1,25x25 |
| 19 | 3015187 | PERNO GUIDA SCORREVOLE | GUIDE PIN | AXE GUIDAGE | FUEHRUNGSSTIFT |
| 20 | 3006879 | DISTANZIALE AUTOC. UNIF. | SPACER | ENTRETOISE | DISTANZSTUECK |
| 21 | 2115755 | GUIDA SCORREVOLE COMPLETA | COMPLETE SLIDE GUIDE | GUIDE COULISS. COMPLET | KOMPL. GLEITFUEHRUNG |
| 23 | 3000062 | PROTEZIONE CENTRALE PIATTO | PROTECTION | PROTECTION | SCHUTZ |
| 24 | 2033767 | GR.CILINDRO AUT.20" INT. | 20" TURNTABLE CYLINDER | VERIN CENTREUR 20" | 20" ZENTRIERTISCHZYLINDER |
| 25 | 4298822 | ANELLO OR 842 D.68,26x3,53 | O-RING D.68,26x3,53 | JOINT OR D.68,26x3,53 | O-RING D.68,26x3,53 |
| 26 | 3008042 | CAMICIA CIL. 20" L=345 | CYLINDER LINER 20" L=345 | CHEMISE VERIN 20" L=345 | ZYLINDERMANTEL 20" L=345 |
| 27 | 3007941 | VITE SPECIALE TE M8x369 | SPECIAL SCREW M8x369 | VIS SPECIALE 8x369 | SONDERSCHRAUBE M8x369 |
| 28 | 4397678 | DADO FLANGIATO M8 | FLANGED NUT M8 | ECROU BORDE" M8 | FLANSCHMUTTER M8 |
| 29 | 3015024 | FLANGIA ANTER.D.75-PRF | FLANGE | BRIDE | FLANSCH |
| 30 | 3015023 | FLANGIA POSTER.D.75-PRF | FLANGE | BRIDE | FLANSCH |

| | | | | | |
|----|---------|------------------------------------|-----------------------------|---------------------------|--------------------------------|
| 31 | 3199599 | ANELLO SEEGER I D.30 JV | SEEGER RING D.30 | BAGUE SEEGER D.30 | SEEGER-RING D.30 |
| 32 | 4398146 | RASAMENTO 24x30x1 | STEEL SHIM 24x30x1 | CALE EN ACIER 24x30x1 | STAHLZWISCHENLAGE 24x30x1 |
| 33 | 3199601 | ANELLO RASCH.BID.L7 NSW 20 30 6/CO | SCRAPER | SEGMENT RACLEUR | KRATZSCHEIBE |
| 34 | 4198856 | PISTONE MONOBLOCCO TDUOP D.75 | PISTON D.75 | PISTON D.75 | KOLBEN D.75 |
| 35 | 4299168 | ANELLO OR 3081 D.20,29x2,62 | O-RING 20,29x2,62 | JOINT OR D.20,29x2,62 | O-RING 20,29X2,62 |
| 36 | 3002901 | ASTA CILINDRO AUT.20" L=400 | CYLINDER ROD 20" L=400 | TIGE VERIN 20" L=400 | ZYLINDERSTANGE 20" L=400 |
| 37 | 4399865 | DADO AUTOBL.M12 BASSO.6S. | SELF-LOCKING NUT M12 | ECROU DE VERROUILLAGE M12 | SELBSTSICHERNDE MUTTER M12 |
| 38 | 4198954 | RACCORDO 6512 1/8"-8 S.R. | QUICK UNION 1/8" | RACCORD RAPIDE 1/8" | SCHNELLANSCHLUSS 1/8" |
| 39 | 4199929 | RACCORDO 1631-01 1/8" | UNION 1/8" | RACCORD 1/8" | ANSCHLUSS 1/8" |
| 40 | 4198978 | RACCORDO 6540 8 | UNION | RACCORD | ANSCHLUSS |
| 41 | 4398753 | RONDELLA 12,5x30x3 | WASHER D.12,5x30x3 | RONDELLE D.12,5x30x3 | BEILAGSSCHEIBE D.12,5x30x3 |
| 42 | 2035615 | GR.AUTOCENTRANTE OTTAG. SL | TURNTABLE | PLATEAU CENTREUR | ZENTRIERTISCH |
| 43 | 3001468 | PROTEZ.INTEGRALE GRIFFA COMPL. | CLAMP COVER | PROTECTION MORS | KLAUENSCHUTZ |
| 44 | 4395179 | VITE TE 16x1,5x45 8.8 ZNT 5740 | SCREW TE 16x1,5x45 8.8 5740 | VIS TE 16x1,5x45 8.8 5740 | SCHRAUBE TE 16x1,5x45 8.8 5740 |
| 45 | 3009778 | RONDELLA SPEC. D.16x47x13-ZNT | WASHER D.16x47x13 | RONDELLE D.16x47x13 | BEILAGSSCHEIBE D.16x47x13 |
| 46 | 3032956 | MOZZO FILETTATO PIATTI AUTOC. | THREADED HUB | MOYEU FILETE' | GEWINDENABE |
| 47 | 4399391 | VITE TSPEI M 8x25 10.9 ZNT 5933 | SCREW 8x25 | VIS 8x25 | SCHRAUBE 8x25 |
| 48 | 3035373 | PIATTO AUTOCENTRANTE OTTAG. SL | TURNTABLE | PLATEAU CENTREUR | ZENTRIERTISCH |
| 49 | 3016819 | TUBO RILSAN D. 8X6 L=75 | RILSAN HOSE D.8x6 L=75 | TUYAU RILSAN D.8x6 L=75 | SCHLAUCH 8x6 L=75 |

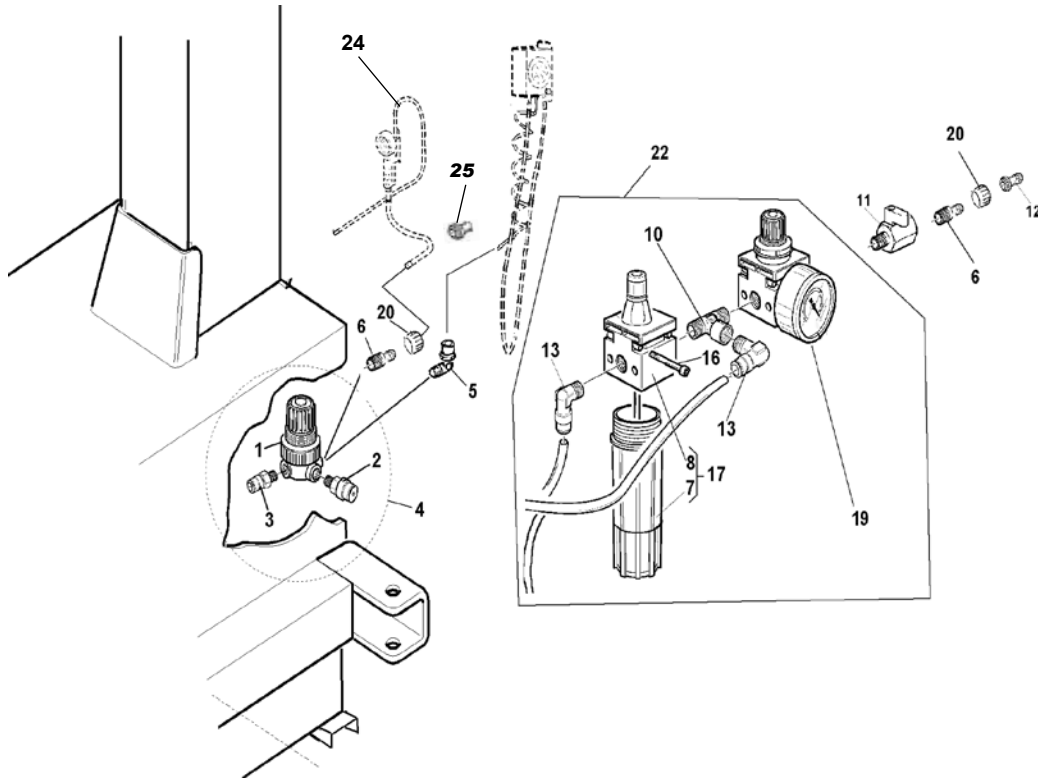
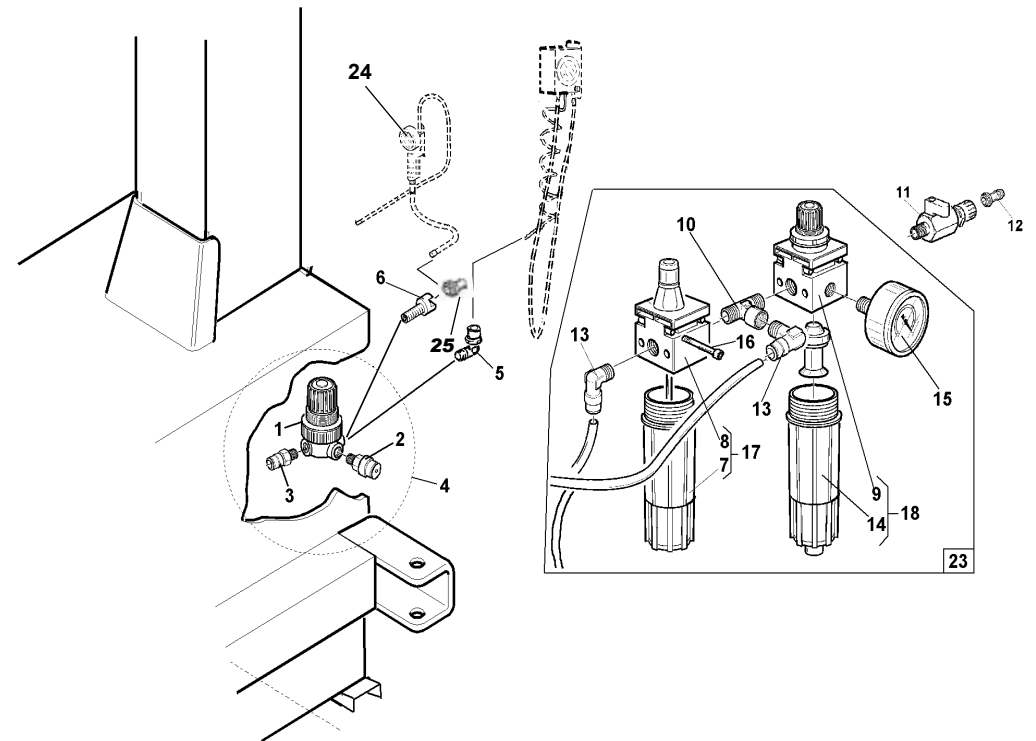


| | | | | | |
|----|---------|--|-------------------------------|--------------------------------|--------------------------------------|
| 1 | 3015133 | UTENSILE INTEGR. ORIENT. STRONG COMPL. | SWINGING MOUNTING HEAD STRONG | TETE DE MONTAGE STRONG | MONTIERWERKZEUG STRONG |
| 2 | 4399953 | VITE TE 10x16 8.8 5739 | SCREW M10x16 8.8 | VIS M10x16 8.8 | SCHRAUBE M10x16 8.8 |
| 3 | 4395804 | RONDELLA DIN6319 "G" 14,2x35x5 | WASHER DIN6319 "G" 14,2x35x5 | RONDELLE DIN6319 "G" 14,2x35x5 | BEILAGSSCHEIBE DIN6319 "G" 14,2x35x5 |
| 4 | 3006689 | INSERTO PLAST. X TORR. INTEGR. | PLASTIC INSERT | INSERT EN PLASTIQUE | PLASTIKEINSATZSTUECK |
| 5 | 4395530 | VITE STEI 12x12 P.COPPA 5927 | SCREW STEI M12x12 | VIS STEI M12x12 | SCHRAUBE STEI M12x12 |
| 6 | 4399958 | SPINA CIL. RETT. 5x24 | PARALLEL PIN 5x24 | AXE CYLINDRIQUE 5x24 | ZYLINDERSTIFT 5x24 |
| 7 | 4395805 | RONDELLA DIN6319 "C" 10,2x21x4 | WASHER DIN6319 "C" 10,2x21x4 | RONDELLE DIN6319 "C" 10,2x21x4 | BEILAGSSCHEIBE DIN6319 "C" 10,2x21x4 |
| 8 | 4395529 | VITE STEI 12x16 P.P. | SCREW 12x16 | VIS 12x16 | SCHRAUBE 12x16 |
| 9 | 3013650 | INSERTO INFER. X TORR. INTEGR. | PLASTIC INSERT | INSERT EN PLASTIQUE | KUNSTSTOFFEINSATZSTUECK |
| 10 | 2031851 | TORRETTA INTEGR. OR. STRONG COMPL. | MOUNTING TOOL | OUTIL DE MONTAGE | |
| 11 | 3000215 | RULLINO PER UNGHIA | ROLLER | GALET | ROLLE |



| | | | | | |
|------|---------|------------------------------------|----------------------------|-----------------------------|----------------------------------|
| 1 | 4293187 | RIDUTT. PICCOLO SMTG AUTO | REDUCTION GEAR UNIT | GROUPE REDUCTEUR | REDUKTORAGGREGAT |
| 2 | 2100166 | PULEGGIA MOTORE | MOTOR PULLEY | POULIE MOTEUR | MOTORSCHLEIBE |
| 3 | 4399922 | VITE STEI 8x14 P.CIL. 5925 | SCREW 8x14 | VIS 8x14 | SCHRAUBE 8x14 |
| 4 | 4299923 | CINGHIA | BELT | COURROIE | RIEMEN |
| 5 | 4398807 | RONDELLA 14 (15x28x2,5)ZNT6592 | WASHER 14 (15x28x2,5) | RONDELLE 14 (15x28x2,5) | SCHLEIBE 14 (15x28x2,5) |
| 6 | 4396941 | DADO M14 6S BASSO ZNT 5589 | NUT M14 | ECROU M14 | MUTTER M14 |
| 7 | 4395644 | VITE TE 10x160 8.8 PF ZNT 5737 | SCREW TE 10x160 | VIS TE 10x160 | SCHRAUBE TE 10x160 |
| 8 | 4399935 | VITE TE 8x25 8.8 ZNT 5739 | SCREW 8x25 | VIS 8x25 | SCHRAUBE 8x25 |
| 9 | 4399829 | RONDELLA 8 (8,4x16x1,5)ZNT6592 | WASHER 8 (8,4x16x1,5) | RONDELLE 8 (8,4x16x1,5) | UNTERLEGSSCHLEIBE 8 (8,4x16x1,5) |
| 10 | 4399976 | DADO M 8 6S ZNT 5588 | NUT M8 | ECROU M8 | MUTTER M8 |
| 11 | 3035672 | SUPP. MOTORE | MOTOR SUPPORT | SUPPORT DE MOTEUR | MOTORLAGER |
| 12 | 4399297 | VITE TCEI M 8x130 8.8 ZNT 5931 | SCREW 8x130 | VIS 8x130 | SCHRAUBE 8x130 |
| 13 | 4399969 | DADO M10 6S ALTO ZNT 5587 | NUT M10 | ECROU M10 | MUTTER M10 |
| 14 | 4395085 | RONDELLA 10 (10,5x25x2)ZNT6592 | WASHER 10 (10,5x25x2) | RONDELLE 10 (10,5x25x2) | BEILAGSSCHLEIBE (10,5x25x2) |
| 15 | 4599924 | MOTORE EL.3PH 230/400V 50Hz-SMTG T | 3PH MOTOR 230/400V 50H | MOTEUR 3PH 230/400V 50H 3PH | MOTOR 230/400V 50H |
| 15 A | 3993913 | MOTORE EL.1PH 230V 0,75KW 50Hz -T | 1PH MOTOR 230V 0,75KW 50Hz | MOTEUR 1PH 230V 0,75KW 50Hz | MOTOR 1PH 230V 0,75KW 50Hz |
| 16 | 4393184 | VITE TE 10x150 8.8 PF ZNT 5737 | SCREW TE 10x150 | VIS TE 10x150 | SCHRAUBE TE 10x150 |

STANDARD


CON FILTRO REGOLATORE
WITH FILTER REGULATOR
AVEC FILTRE REGULATEUR
MIT FILTERREGLER


| | | | | | |
|----|----------|---------------------------------|--------------------------------|---------------------------------|-------------------------------|
| 1 | 4198173 | REGOLATORE 1/4" 0-3,5 BAR | REGULATEUR 1/4" 0-3,5 BAR | REGULATOR 1/4" 0-3,5 BAR | DRUCKREGLER 1/4" 0-3,5 BAR |
| 2 | 4198435 | VALV.SIC.1/8"0/4 BAR+RIV.+CAP. | SOUPAPE SECURITE' 1/8" 0/4 BAR | SAFETY VALVE 1/8" 0/4 BAR | SICHERHEITSVENTIL 1/8" 0/4BAR |
| 3 | 4198884 | RACCORDO 6510 1/4"-8 S.RAPIDO | RACCORD 6510 1/4" | UNION 6510 1/4" | ANSCHLUSS 6510 1/4"-8 |
| 4 | T2010781 | GR.REGOLAT.4 BAR USC. GT CE | GRUPPE REGULATEUR PRESS. 4BAR | 4 BAR PRESSURE REGULATOR UNIT | 4 BAR-DRUCKREGLERGRUPPE |
| 5 | 4198578 | RACCORDO 6520 1/4"-8/6 GIREV. | RACCORD 6520 1/4"8/6 | ROTATING UNION 1/4"-8/6 | VERSCHRAUBUNG 6520 1/4"-8/6 |
| 6 | 4199797 | RACCORDO 9A/M 1/4" | RACCORD 9A/M 1/4" | UNION 9A/M 1/4" | ANSCHLUSS 9A/M 1/4" |
| 7 | 4196316 | TAZZA LUBRIFICATORE | CUVE DU LUBRIFICATEUR | LUBRICATOR CUP | SCHMIERBECHER |
| 8 | 4196315 | CORPO LUBRIFICATORE | CORPS LUBRIFICATEUR | LUBRICATOR | SCHMIERER |
| 9 | 4196313 | CORPO FILTRO REGOLATORE | CORPS FILTRE | FILTER BODY | FILTERKÖRPER |
| 10 | 4198973 | RACCORDO 2070 1/4" MFM | RACCORD 2070 1/4" | UNION | ANSCHLUSS 2070 1/4" |
| 11 | 4196354 | VALVOLA MVS 2901 DF 1/4" | SOUPAPE MVS 2901 DF 1/4" | VALVE MVS 2901 DF 1/4" | VENTIL MVS 2901 DF 1/4" |
| 12 | 4199987 | ATTACCO RESCA 2P 1/4 8 | ATTELAGE | UNION 1/4 | VERBINDUNG |
| 13 | 4198883 | RACCORDO 6500 1/4"-8 S.RAPIDO | RACCORD 6500 1/4"-8 RAPIDE | QUICK UNION 6500 1/4"-8 | ANSCHLUSS 6500 1/4" - 8 |
| 14 | 4196314 | TAZZA FILTRO REGOLATORE | CUVE FILTRE | FILTER CUP | FILTERBECKEN |
| 15 | 4298308 | MANOMETRO D.40 0-16 BAR 1/8" | MANOMETRE D.40 0-16 BAR 1/8" | PRESS. GAUGE D.40 0-16 BAR 1/8" | MANOMETER D.40 0-16 BAR 1/8" |
| 16 | 4396593 | VITE TCEI M 4x40 8.8 | VIS 4x40 | SCREW 4x40 | SCHRAUBE 4x40 |
| 17 | 4193489 | LUBRIFIC.1/4" | HUILEUR | LUBRICATOR | SCHMIERER |
| 18 | 4193488 | FILTRO REG. | FILTRE REGULATEUR | FILTER REGULATOR | FILTERREGLER |
| 19 | 4198951 | REGOLATORE 1/4" 0,5-10 BAR | REGULATEUR 1/4" 0,5-10 BAR | REGULATOR | REGLER 1/4" 0,5 - 12 BAR |
| 20 | 4199077 | DADO FRESATO 11A 1/4" | ECROU 1/4" | NUT 1/4" | MUTTER 1/4" |
| 21 | 4199818 | RACCORDO 2070 1/4 MFF | RACCORD 1/4" | UNION 1/4" | ANSCHLUSS 1/4" |
| 22 | 2033529 | GRUPPO LUBRIFICATORE | HUILEUR | LUBRICATOR GROUP | SCHMIERER |
| 23 | 2033530 | GRUPPO LUBRIFICAT + FILTRO REG. | HUILEUR+FILTRE REGULATEUR | LUBRICATOR+FILTER REGULATOR | SCHMIERER+FILTERREGLER |
| 24 | 9298243 | PISTOLETTA GONFIAGGIO MICHELIN | PISTOLET MICHELIN CE COMPL. | MICHELIN INFLATING GAUGE - CE | MICHELIN LUFTDRUCKPISTOLE CE |
| 25 | T3007754 | TAPPO RACC.CON GHIERA | UNION + RING NUT | RACCORD + EMBOUT | ANSCHLUSS + RING |

